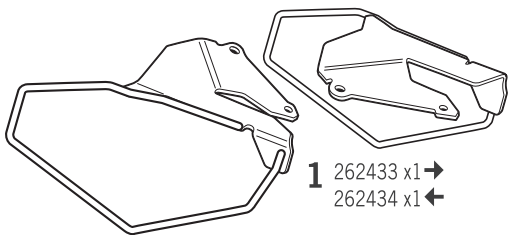


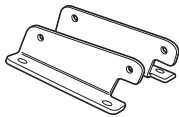
SHAD

HONDA CB 650R '19-'21

KIT SIDE BAG HOLDER H0CR61SE



1 262433 x1 →
262434 x1 ←



2 262751 x1 →
262752 x1 ←



3 303045 x12
Ø8



4 304028 x4
M8 x25
DIN 7380



5 302024 x4
M8



6 304053 x4
M8 x30
DIN 7380



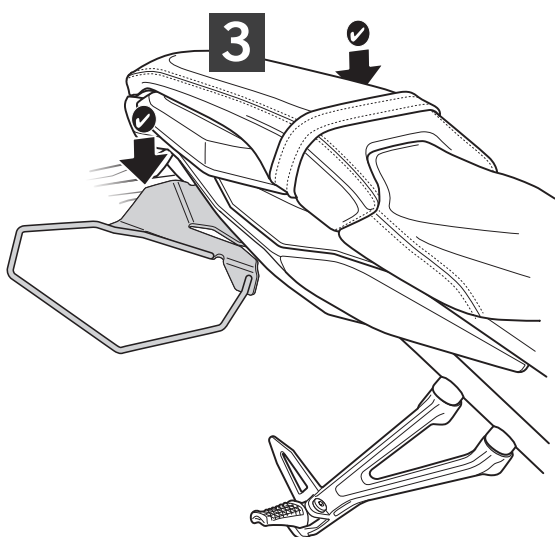
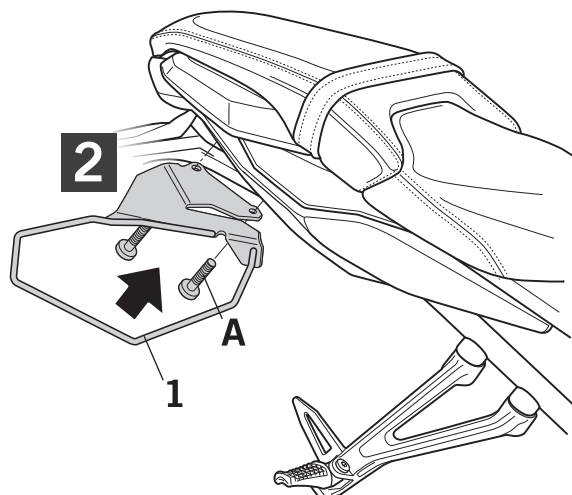
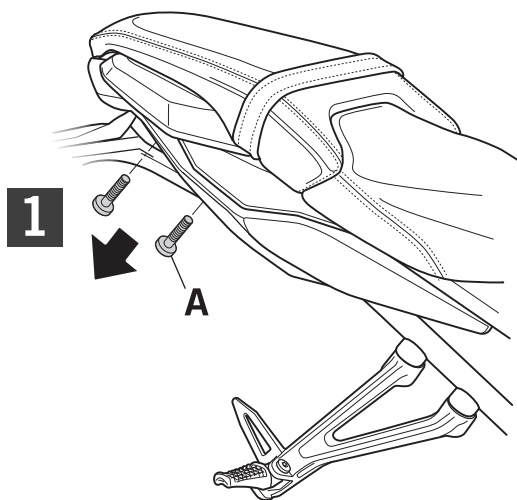
WARNING!

GB

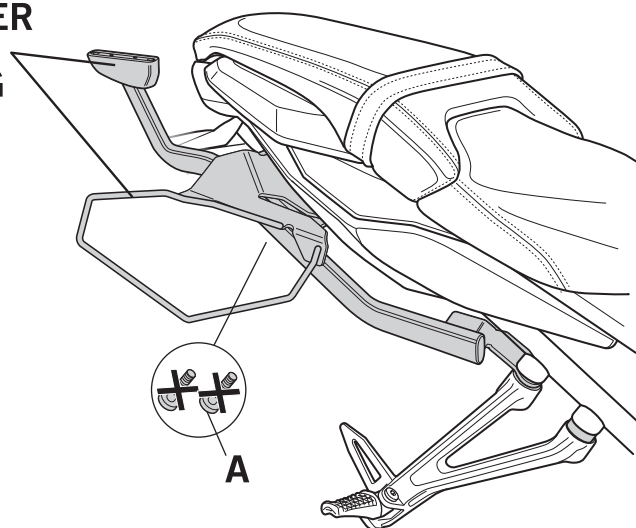
Do not fully tighten the screws until it is ensured that the KIT is correctly attached and aligned.

ATTENTION: For a full equip assembly, mount the Side bag holder system after the Top master.

CB 650R '19-'20



TOP MASTER + SIDE BAG HOLDER



CB 650R '21

