

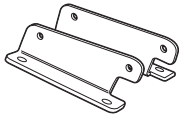
SHAD

HONDA CB 650R '19-'21

HOCR61IF

3P
SYSTEM

DESIGNED IN
BARCELONA



1 262751 x1 →
262752 x1 ←



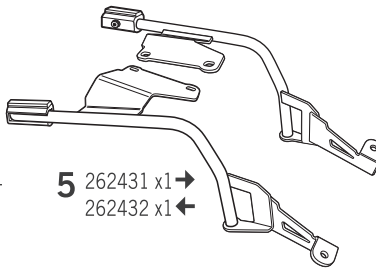
2 303020 x2
Ø8



3 303045 x18
Ø8



4 304028 x4
M8 x25
DIN 7380



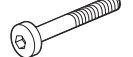
5 262431 x1 →
262432 x1 ←



6 302024 x6
M8



7 304053 x4
M8 x30
DIN 7380



8 304069 x2
M8 x55
DIN 7380



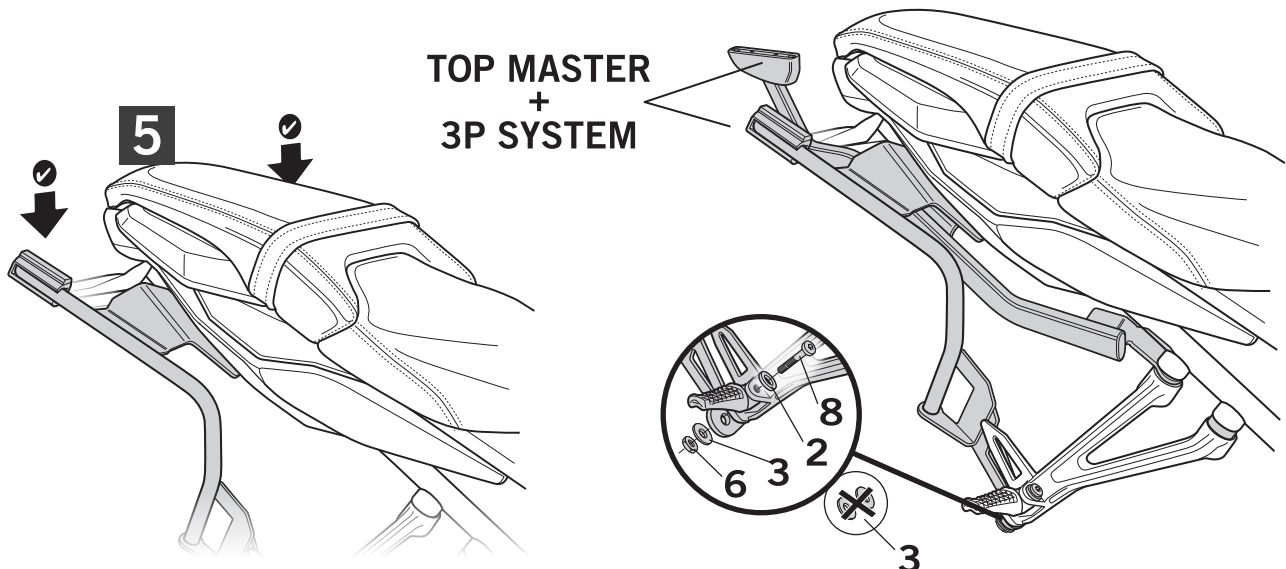
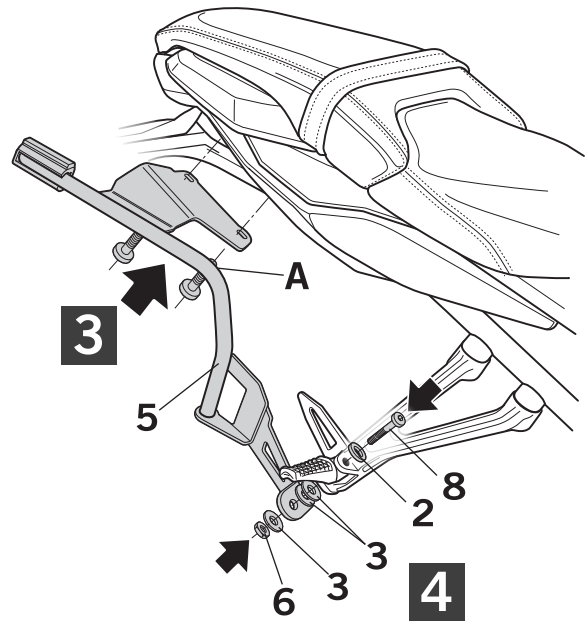
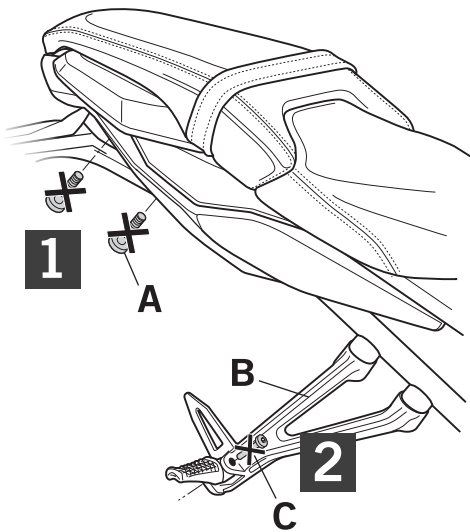
WARNING!

(GB)

Do not fully tighten
the screws until it is
ensured that the KIT
is correctly attached
and aligned.

ATTENTION: For a full equip assembly, mount the 3P System after the Top master.

CB 650R '19-'20



IMPORTANT: Based on European models. For compatibility with models in other continents, check www.shad.es

CB 650R '21

