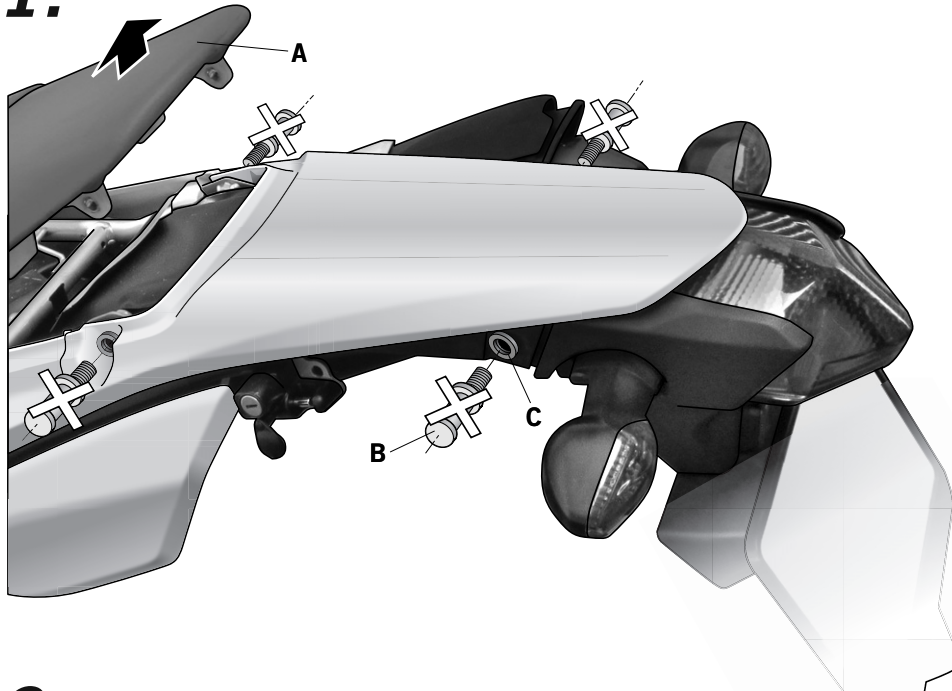


Advice for correct fitting of the kit: Do not fully tighten the screws until sure that the kit is correctly positioned and aligned.

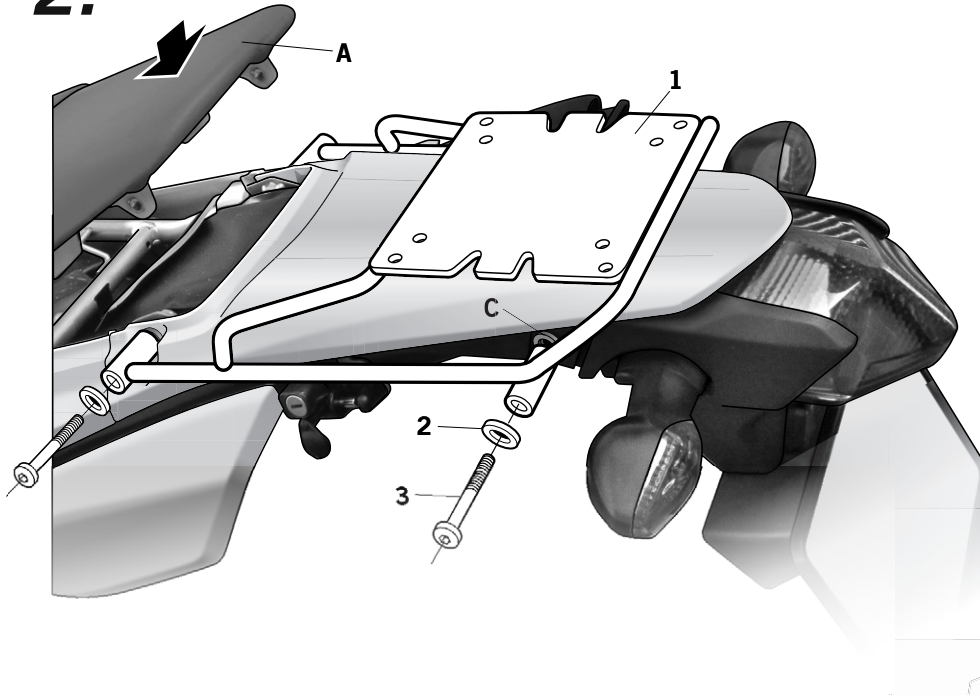
HONDA CRF 250L '12
HOCR22ST
KIT TOPMASTER

1.



Open the seat (A). Disassemble and remove the screws (B). The spacers (C) cannot be removed.

2.



Assemble the KIT TOP support (1) by means of the spacers (C), the washers (2) and the screws (3). Close the seat (A).

PARTS :

Pos.	Ref.	Cant.	
1	261452	1	KIT TOP
2	303020	4	Arandela Ø8 DIN 9021 - Washer - Rondelle - Scheibe - Rondella
3	304171	4	Tornillo M8 x 65 DIN 7380 - Screw - Vis - Schraube - Vite

SHAD