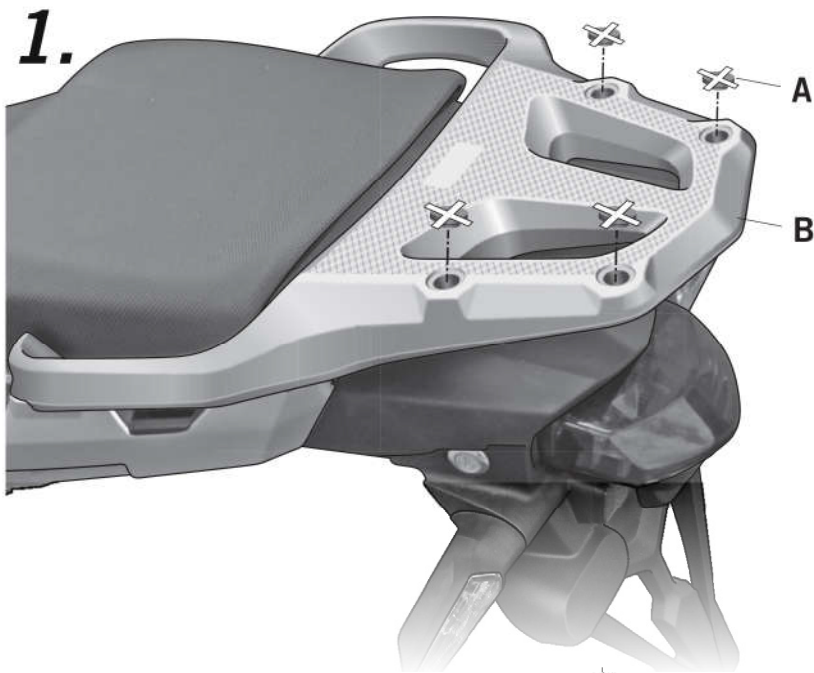
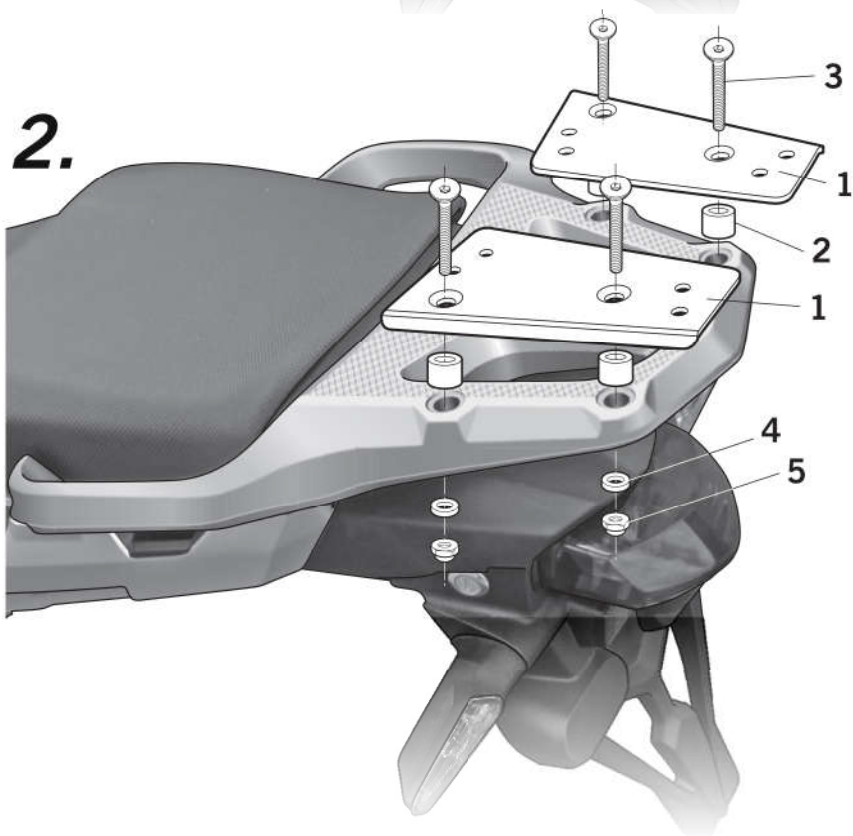


**GB** Advice for correct fitting of the kit: Do not fully tighten the screws until sure that the kit is correctly positioned and aligned.



**GB** Remove and put aside the screws (A) of the original rear carrying case (B).



**GB** Assembly the KIT TOP support (1) with the spacers (2), the screws (3), the washers (4) and the nuts (5).

**PARTS**

Pos.	Ref.	Cant.	
1	261445	1	Top right support
	261446	1	Top left support
2	261451	4	Distanciador - Spacer
3	304032	4	Tornillo M8 x 50 DIN 7991 - Screw
4	304045	4	Arandela Ø8 DIN 9021 - Washer
5	302024	4	Tuerca M8 autoblocante - Self-blocking Nut M8

**HONDA VFR 1200 CROSSTOURER '12**  
HOCR12ST  
**KIT TOPMASTER**

**SHAD**