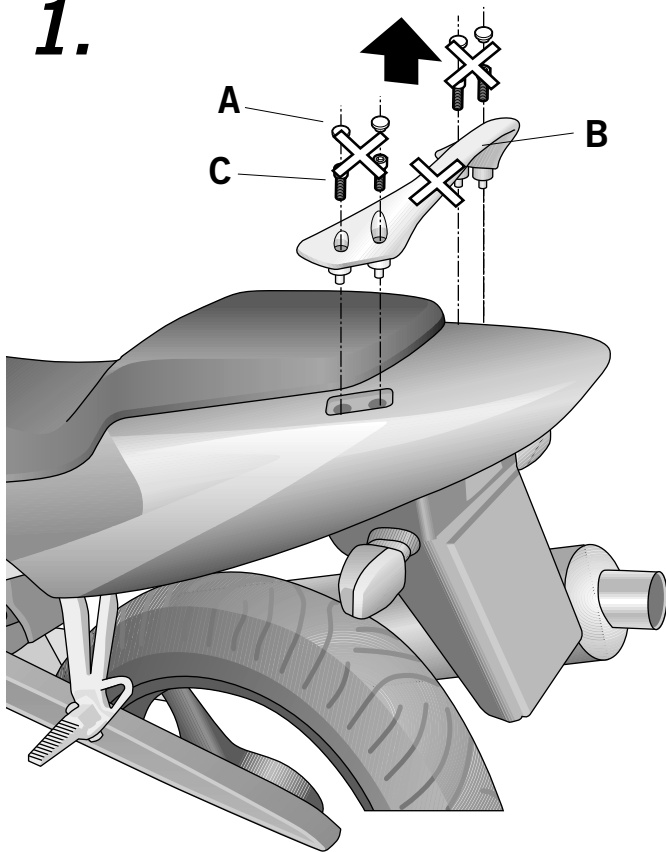


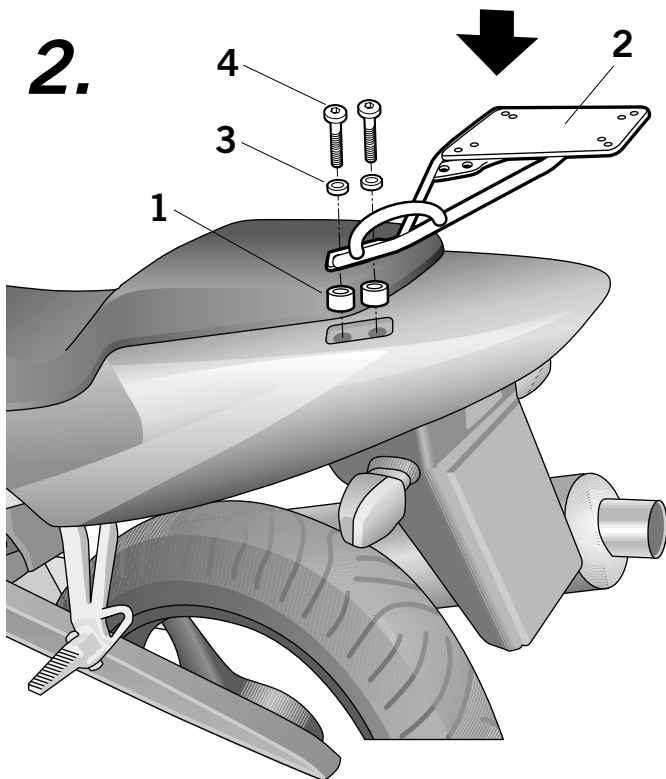
1.



Proper kit assembly: do not tighten the screws until ascertaining that the kit is properly positioned and aligned.
NB: If the Full Kit (HOCB61SF) of your motorcycle is already assembled, dismantle the original rear handles of the motorcycle and assemble in its place the Top Kit (HOCB61ST) in accordance with the instructions and discard the spacers (1).

Dismantle and discard the caps (A) covering the heads of the screws of the handles.
 Dismantle and discard the original handles (B) using the screws (C); discard them as well.

2.



Position the spacers (1).
 Put the Top Kit base (2) in place using the washers (3) and the screws (4).

PARTS :

Pos.	Ref.		Cant.	
1	260740		4	Distanciador Ø20 Ø11 x 11 - Spacer
2	260715		1	KIT TOP
3	303005		4	Arandela Ø8 - Washer - Rondelle
4	304053		4	Tornillo M8 x 30 DIN 7380 - Screw

HONDA CBR 600 '01
 HOCB61ST
KIT TOPMASTER

