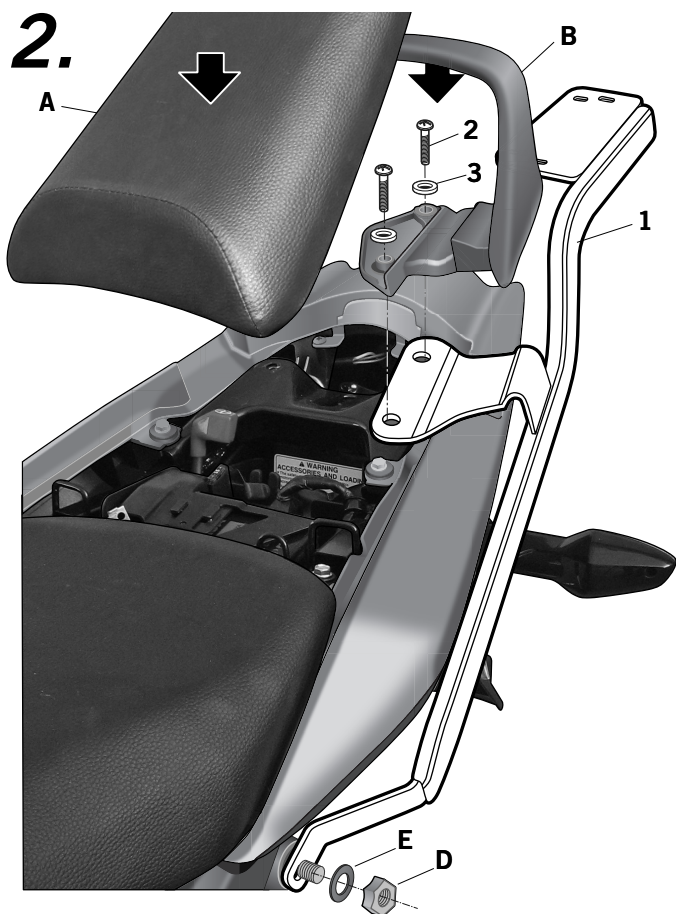


Advice for correct fitting of the kit: Ensure that the kit is correctly fitted and aligned before fully tightening the screws.

Remove the rear seat (A). Remove the rear handle (B) using the screws (C), discard these. Remove the nuts (D) and the washers (E) from the rear shock absorbers.

Attach the KIT TOP supports (1) to the area of the shock absorbers using the washers (E) and the nuts (D) in the area of the handle using the screws (2) and the washers (3), according to the picture. Attach the seat (A).



PARTS:

Pos.	Ref.	Cant.	
1	261204	1	Right top kit support
	261205	1	Left top kit support
2	304272	4	Tornillo M8 x 35 DIN 7380 - Screw
3	303020	4	Arandela Ø8 - Washer

HONDA CBF 125 '09
HOCB19ST
KIT TOPMASTER

SHAD