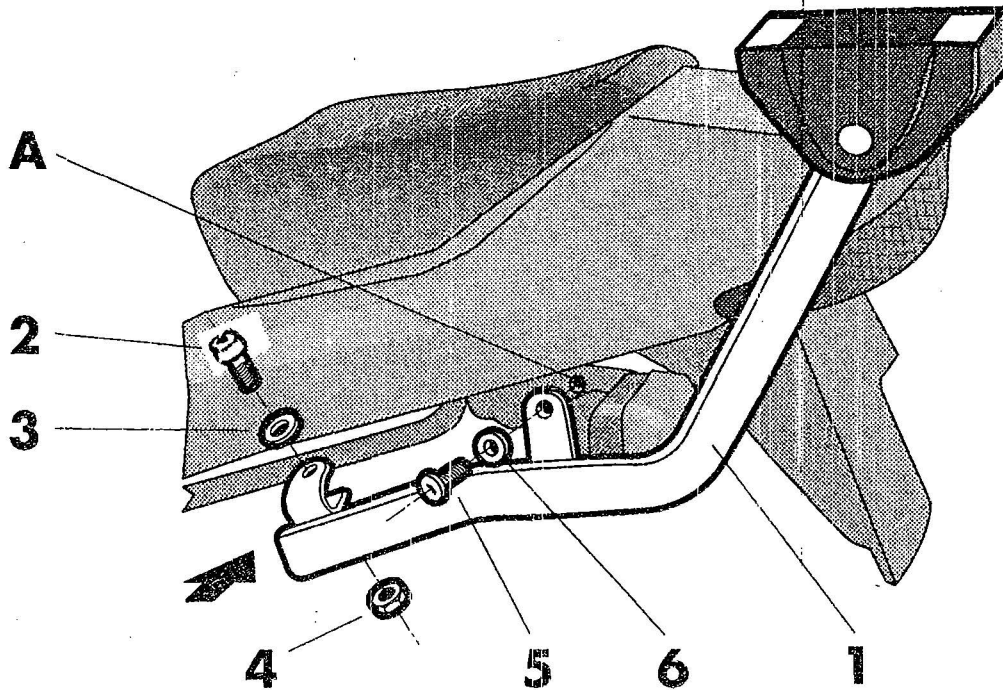


KIT TOPMASTER



TOP MASTER INSTALLATION

Remove the seat and the indicators.

Position the part (1) on the motorcycle frame and secure it using the screw (2), the washer (3) and the nut (4), as shown in the diagram.

Replace the screw (A) by the screw (5) and the washer (6). Fit the part (1) over the indicator and secure using the screw (5) and the washer (6).

Replace the seat. Finish off the assembly by following the instructions in the general brochure provided with the TOPMASTER KIT.

PARTS

Pos.	Ref.	Cont.	Pos.	Ref.	Cont.
1	260094	1	4	302024	2
	260095	1	5	304081 (M8x20 7380)	2
2	304075 (M8x35 912)	2	6	303020	2
3	303020	2			