

# SHAD TERRA

ENGINEERED FOR RIDING

## TR37

X49,5 Y41,8 Z25,9 (cm)

D0TR37100

## TR48

X49,5 Y41,8 Z32,2 (cm)

D0TR48100



## USER GUIDE

# TERRA LOCK SYSTEM

PATENT PENDING

OPEN AND CLOSE

INTEGRATED CARRYING HANDLE

ASSEMBLY AND RELEASE

UNLOCK AND LOCK

**TR37 TR48**  
**WARNING!** 

## CARE AND MAINTENANCE



1 M. MINIMUM DISTANCE WITH POWER WASHER.



MAXIMUM WEIGHT.



MAXIMUM SPEED, CHECK LOCAL LAWS.



ALWAYS SECURE AND LOCK PRODUCTS.



ONLY USE RECOMMENDED CLEANING PRODUCTS.



CASES ARE NOT DESIGNED TO PROTECT FRAGILE OBJECTS.

# ACCESORIES

## OPTIONAL BACKREST

TOP D0RI75



## OPTIONAL INNER BAG

INNER BAG  
TOP - SIDE X0IB47



SOLD SEPARATELY

## STANDARD PLATE

D1B481 PAR



## ONE KEY

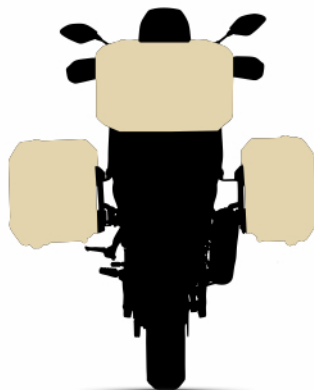
One key  
For three cases



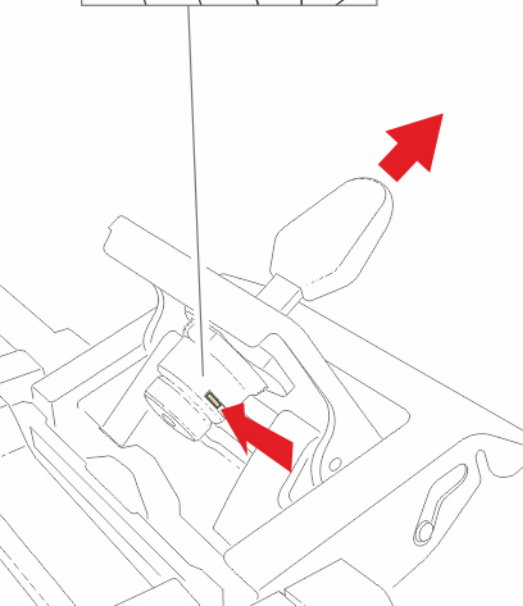
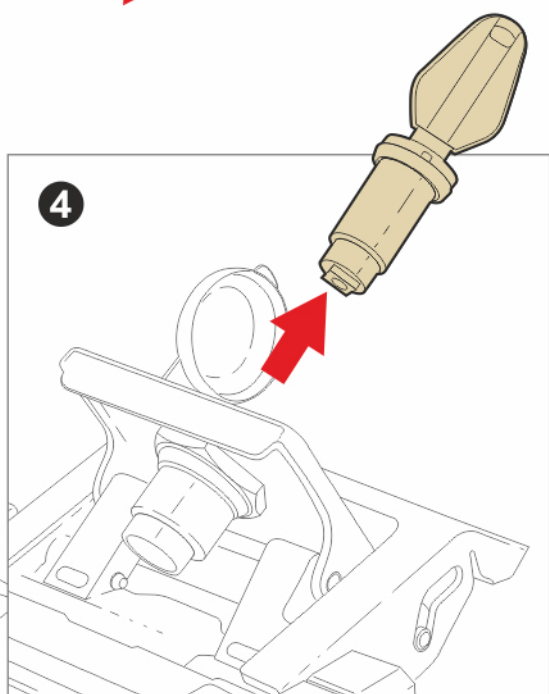
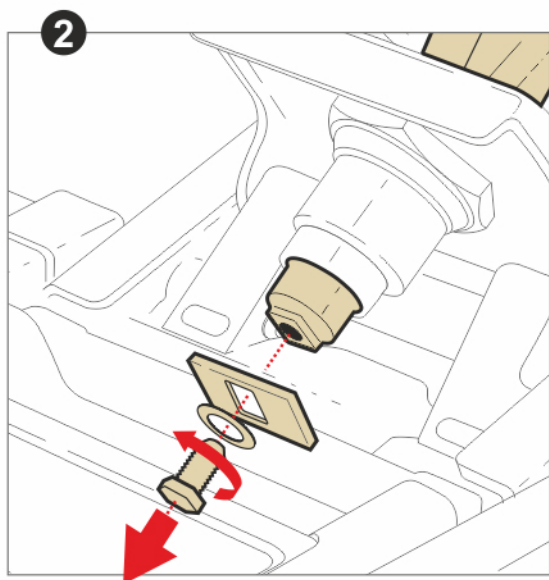
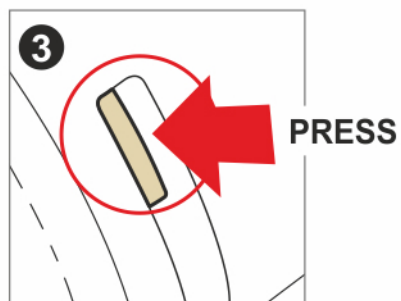
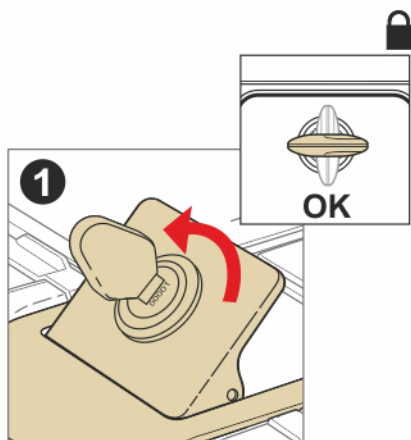
SOLD SEPARATELY

## ALUMINIUM PLATE

D1BTRPA

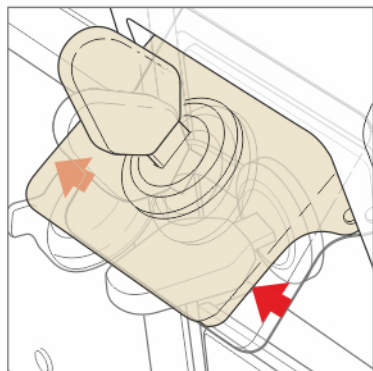
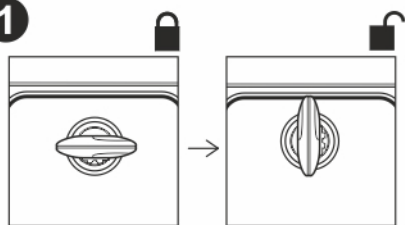


# LOCK REMOVAL

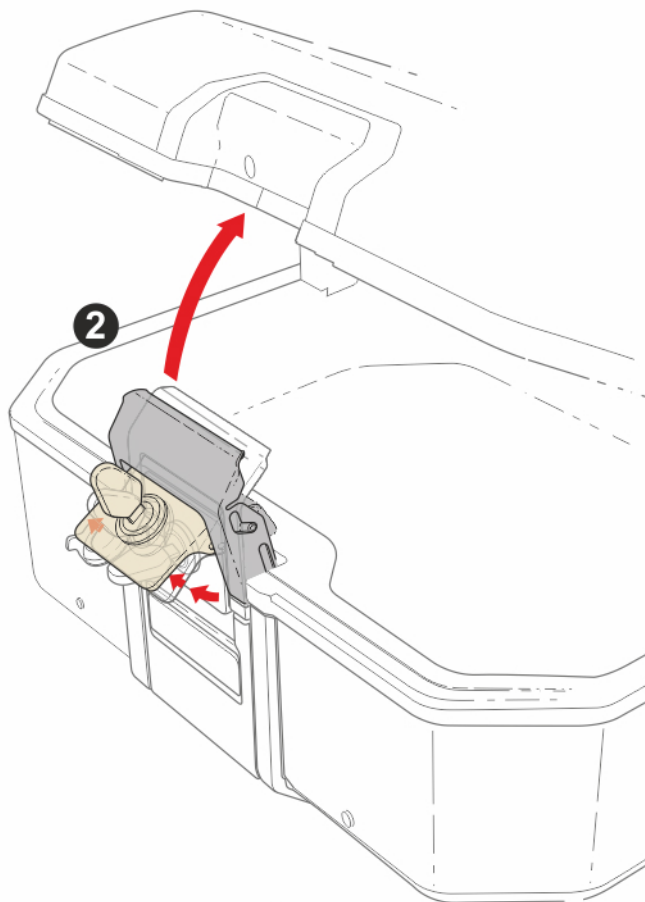


OPEN

1

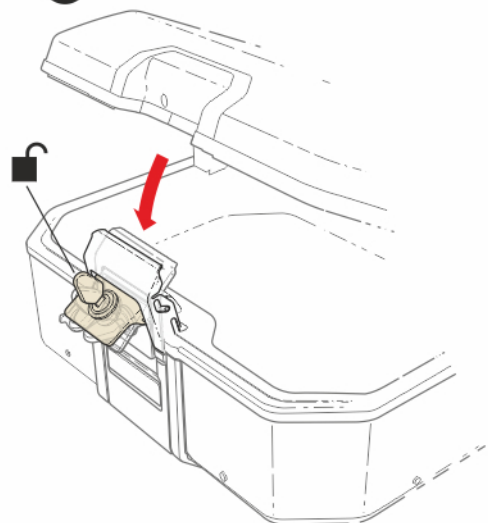


2

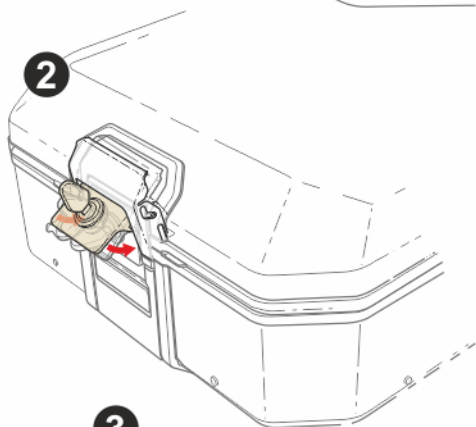


CLOSE

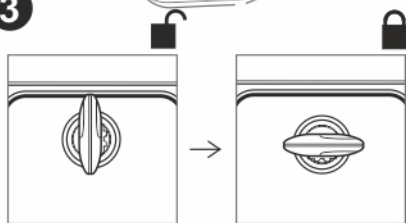
1



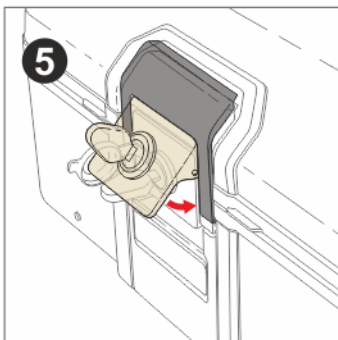
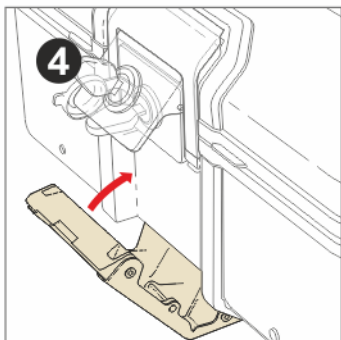
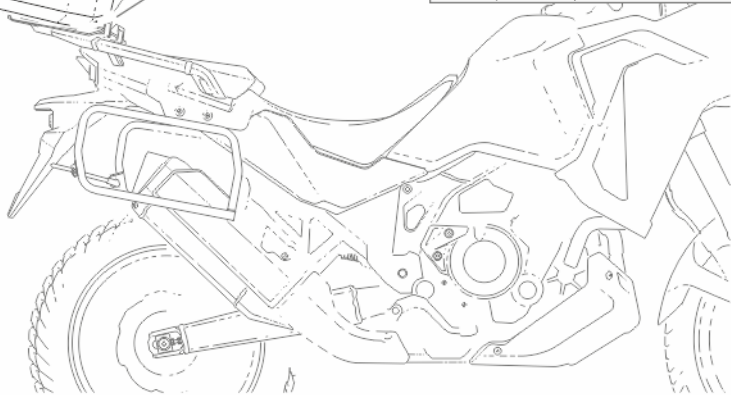
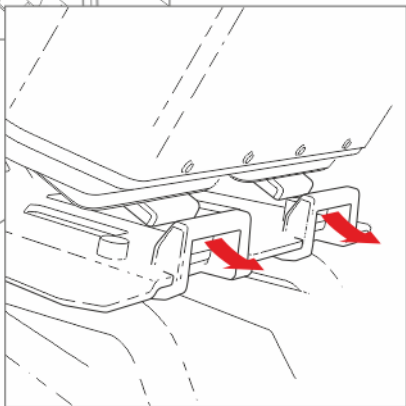
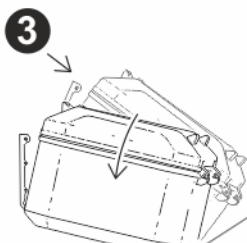
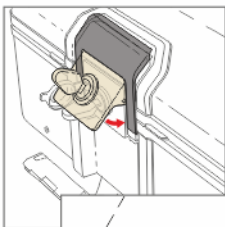
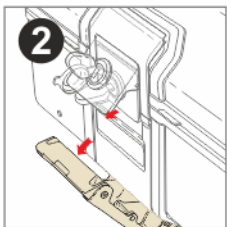
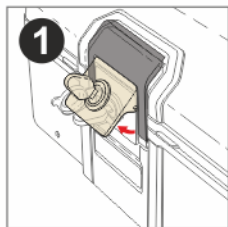
2



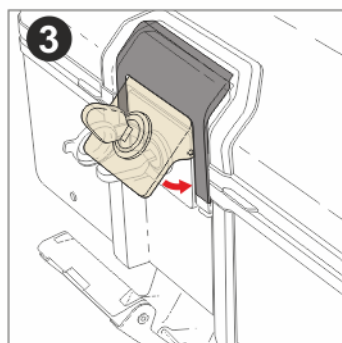
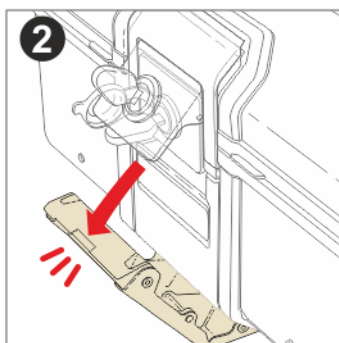
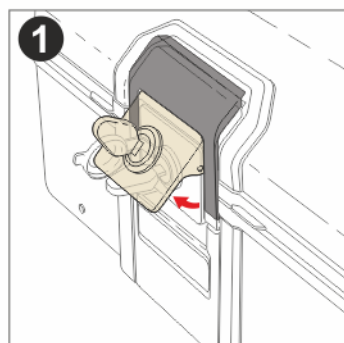
3



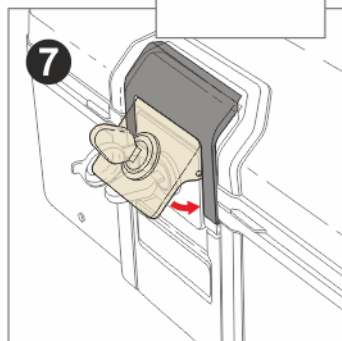
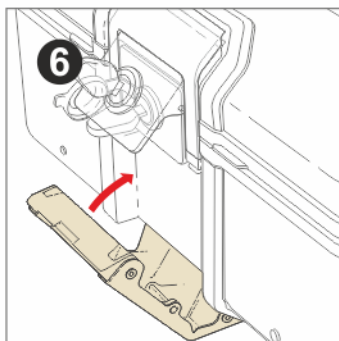
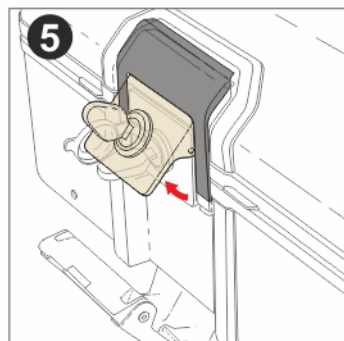
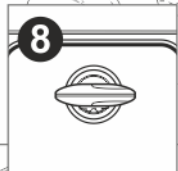
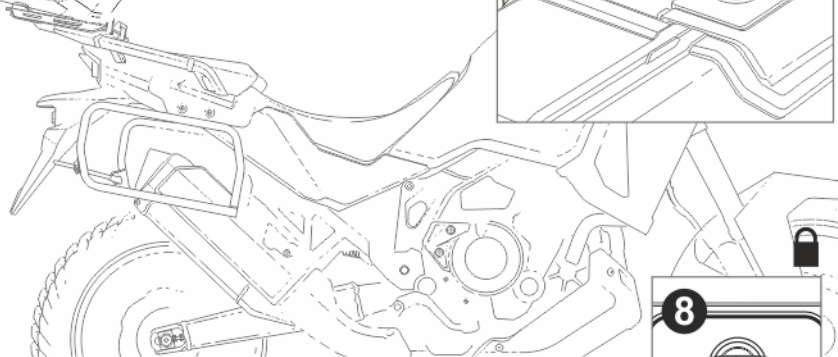
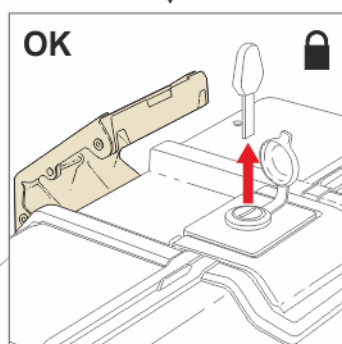
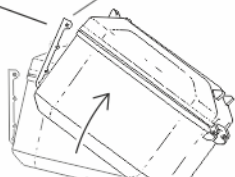
# ASSEMBLY



# RELEASE



4 PULL







**300**  
trees planted  
in our SHAD forest



**WE ARE  
DOING  
GREEN**



AS PART OF THE TERRA DEVELOPMENT PROJECT, FROM SHAD WE HAVE ACQUIRED THE COMMITMENT TO FIGHT AGAINST CLIMATE CHANGE BY REFORESTATION.

Learn more about motorcycle luggage systems and saddlebags we have.