

SHAD

TERRA

ENGINEERED FOR RIDING

TR36

X49.5 Y41.8 Z28.2 (cm)

RIGHT D0TR36100R
LEFT D0TR36100L

TR47

X49.5 Y41.8 Z34.5 (cm)

RIGHT D0TR47100R
LEFT D0TR47100L



USER GUIDE



TERRA LOCK SYSTEM

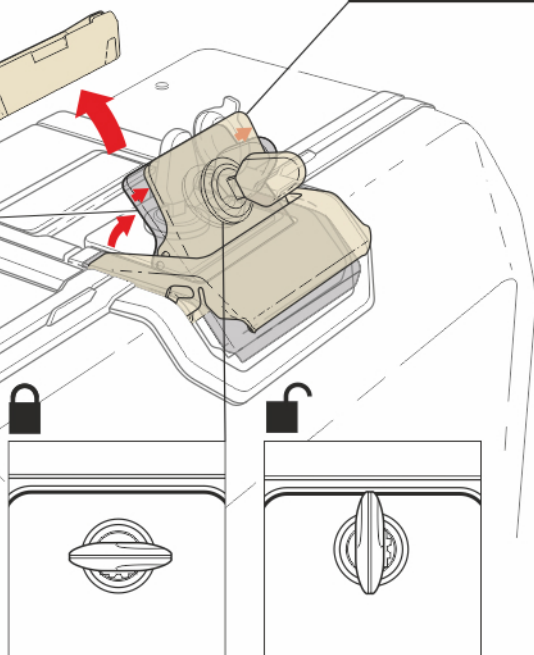
PATENT PENDING

INTEGRATED CARRYING HANDLE

ASSEMBLY AND RELEASE

OPEN AND CLOSE

UNLOCK AND LOCK

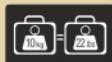


TR36 TR47
WARNING! 

CARE AND MAINTENANCE



1 M. MINIMUM DISTANCE WITH POWER WASHER.



MAXIMUM WEIGHT AND USE EVEN DISTRIBUTION INSIDE CASES.



MAXIMUM SPEED, CHECK LOCAL LAWS.



ALWAYS SECURE AND LOCK PRODUCTS.



ONLY USE RECOMMENDED CLEANING PRODUCTS.

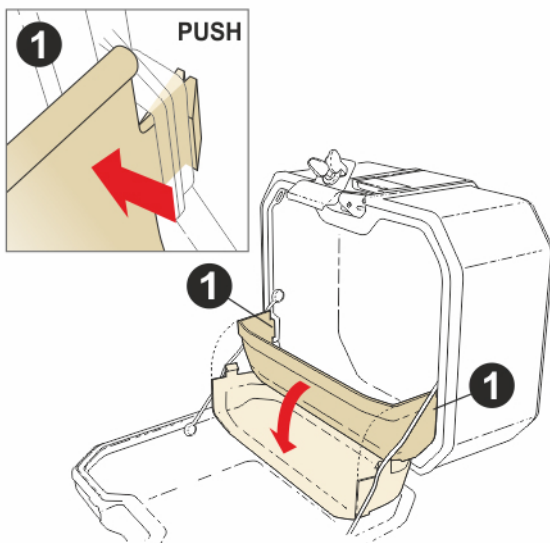


CASES ARE NOT DESIGNED TO PROTECT FRAGILE OBJECTS.

ACCESORIES

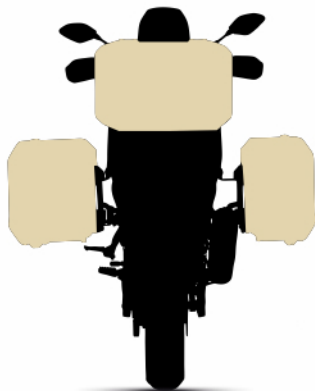


TRAY OPENING

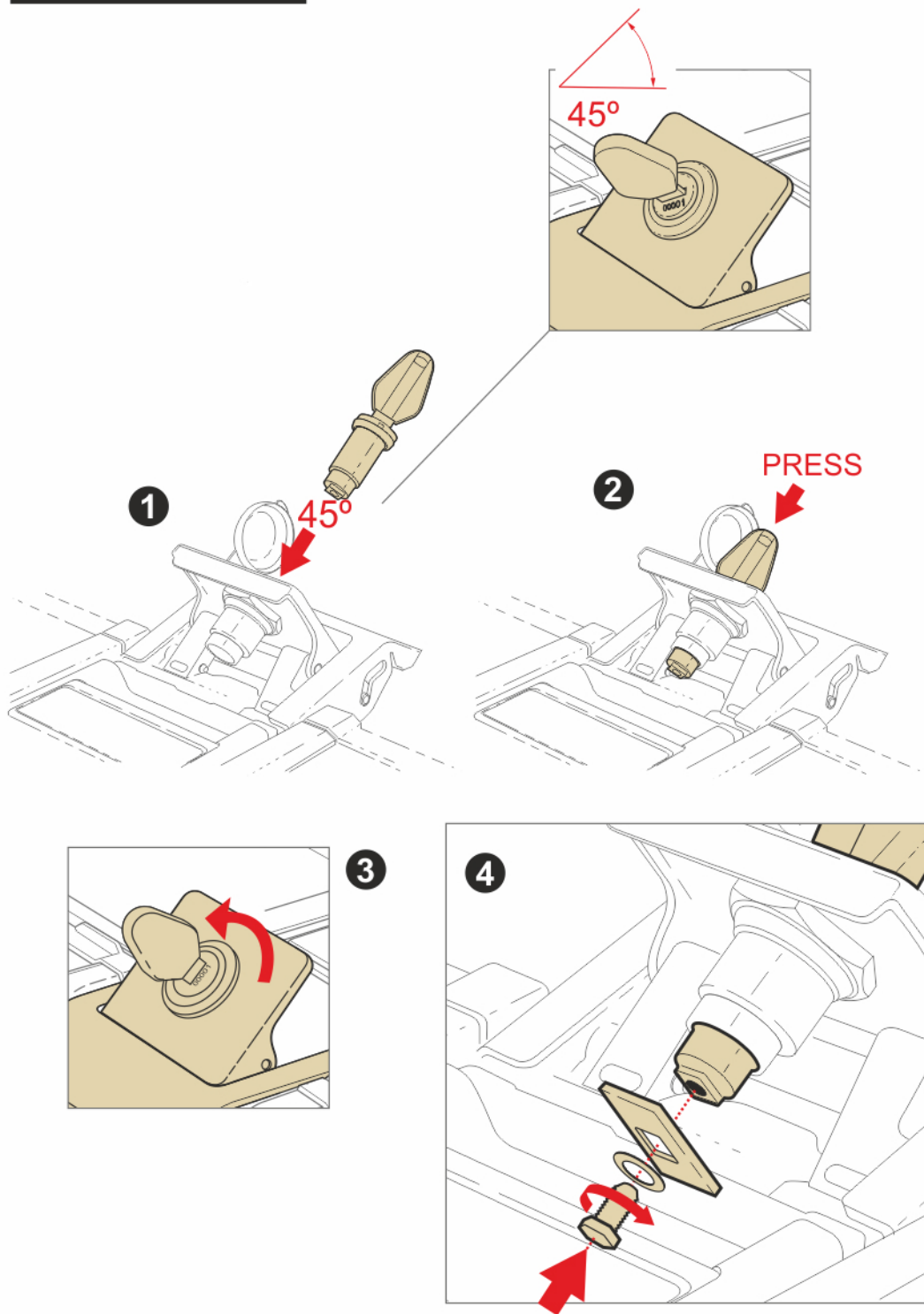


ONE KEY

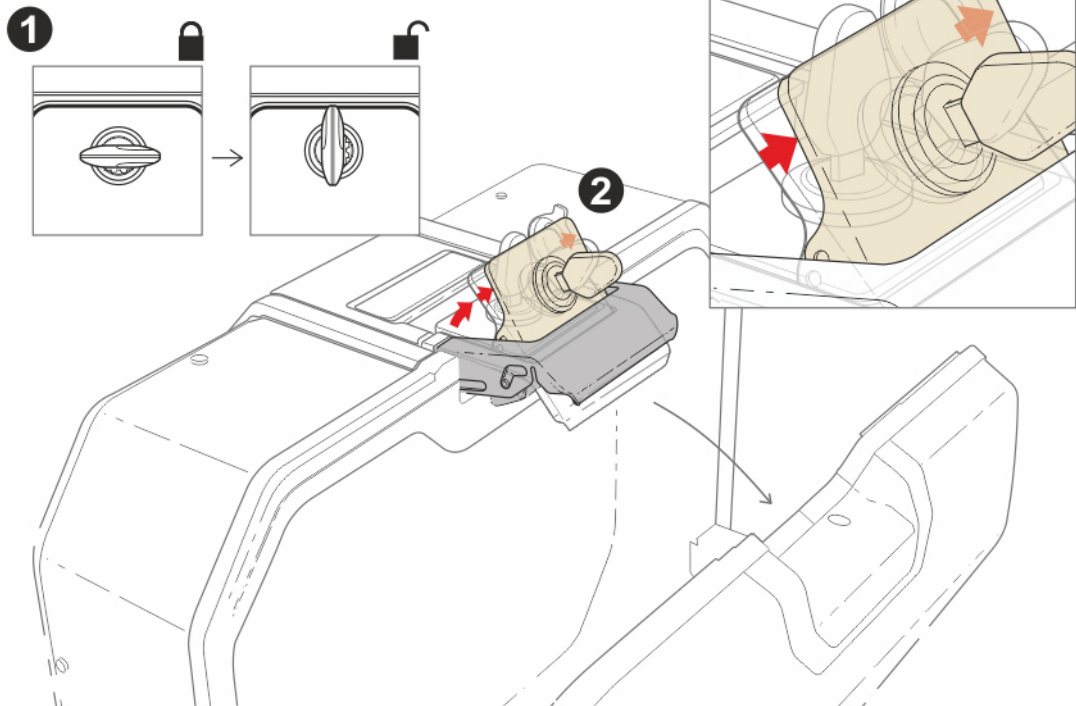
One key
For three cases



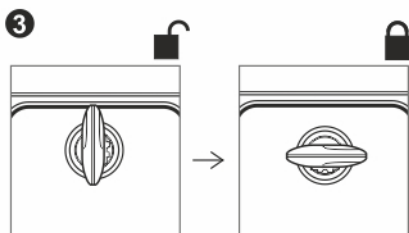
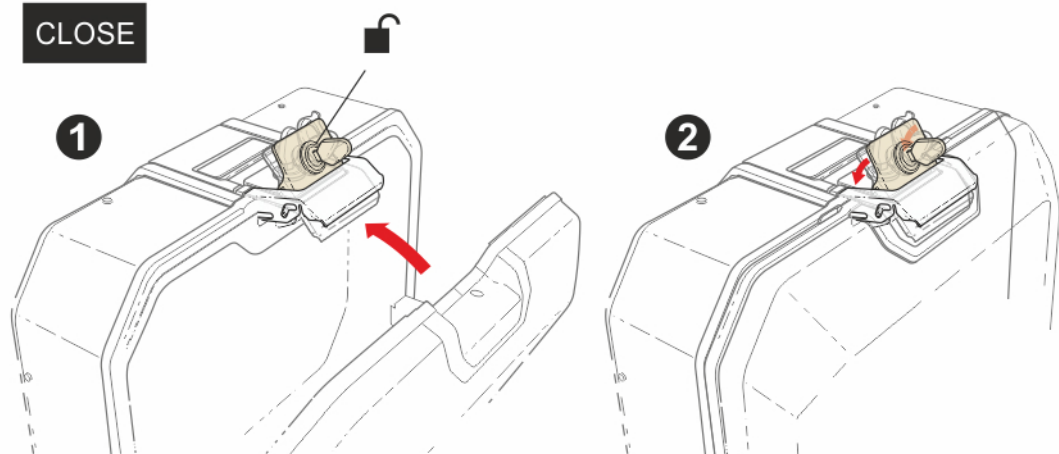
LOCK INSTALLATION



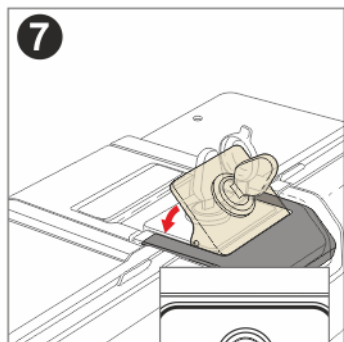
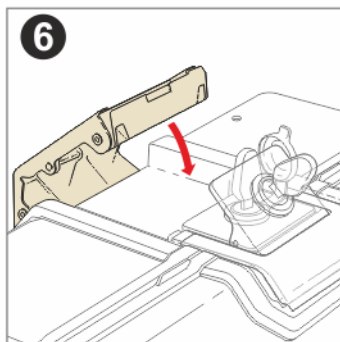
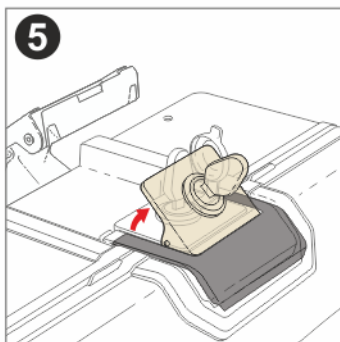
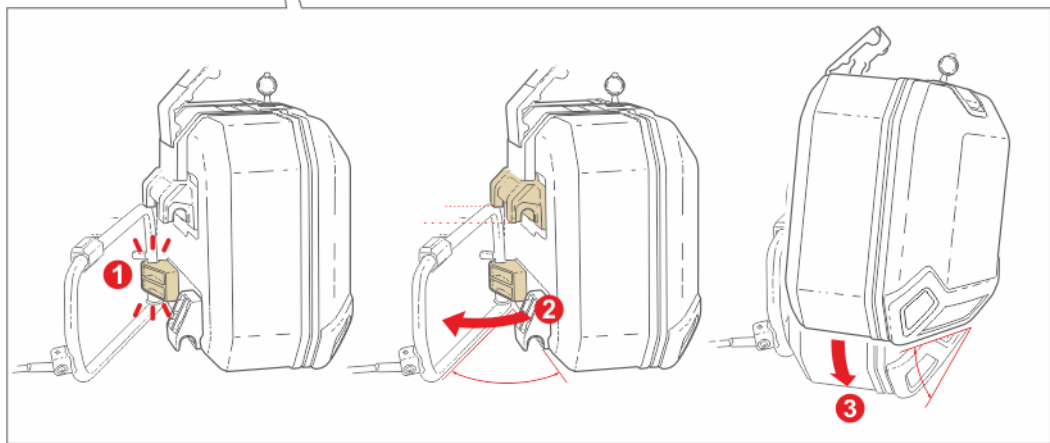
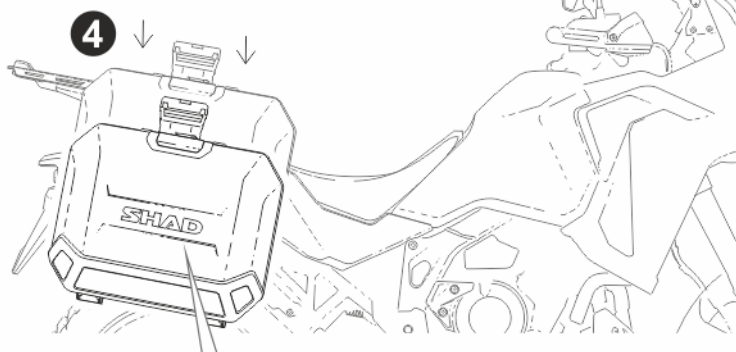
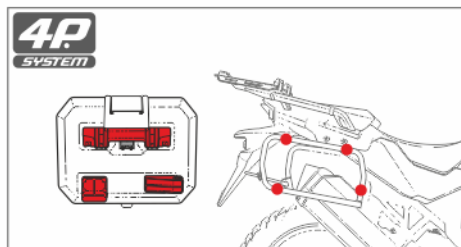
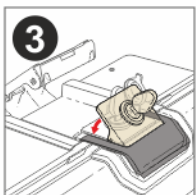
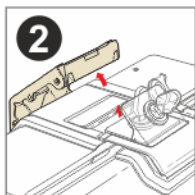
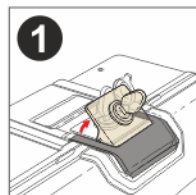
OPEN



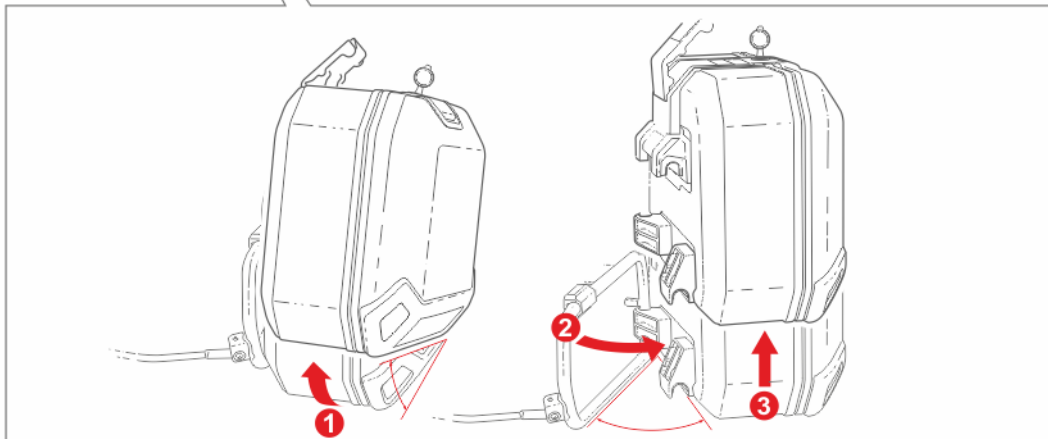
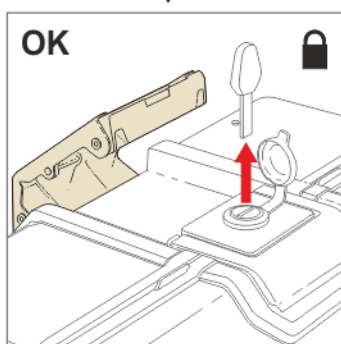
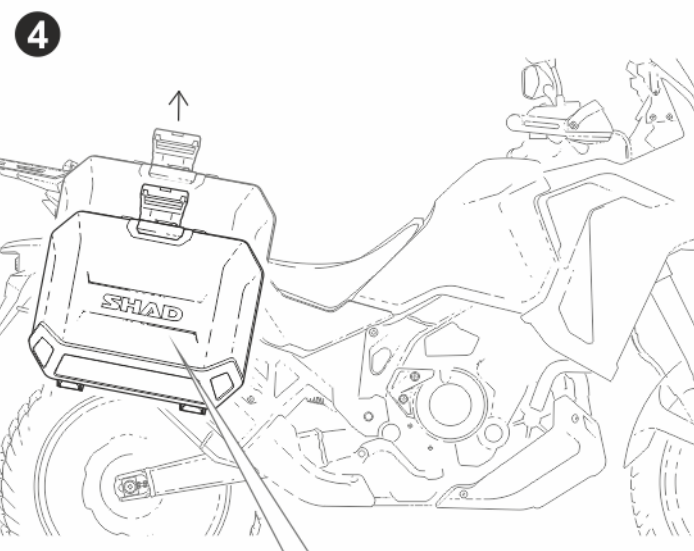
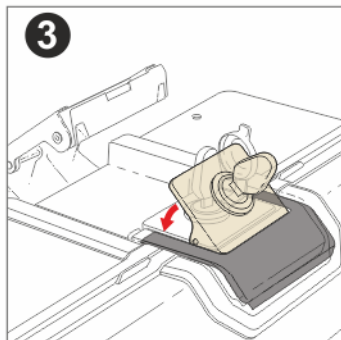
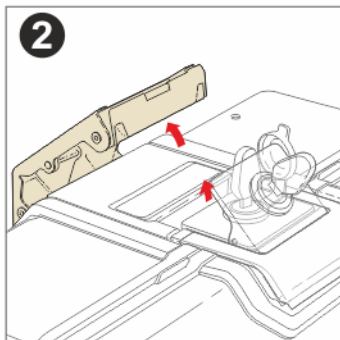
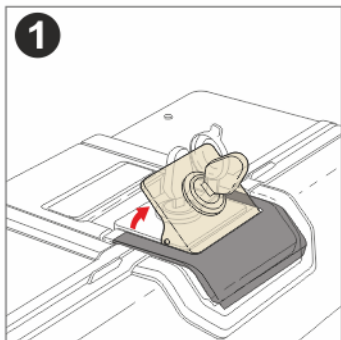
CLOSE



ASSEMBLY



RELEASE





300
trees planted
in our SHAD forest



**WE ARE
DOING
GREEN**



tree-nation
Tree-Nation is an open, collaborative platform to reforest the world.

AS PART OF THE TERRA DEVELOPMENT PROJECT, FROM SHAD WE HAVE ACQUIRED THE COMMITMENT TO FIGHT AGAINST CLIMATE CHANGE BY REFORESTATION.

Learn more about motorcycle luggage systems and saddlebags we have.