

SH 49 SH 50

User's guide

SHAD



**GB WARNING:**

- Read the instructions manual before assembling and/or using the case.
- Make sure the case and its accessories are properly assembled.
- Make sure that the case is properly closed and locked with key before starting the motorcycle.
- The maximum load of the motorcycle case is of 8 kg, provided that the carrier allows it.
- The maximum speed of the motorcycle with the case full must not exceed 120 km/h (this may vary depending on the legislation of each country).
- The cases may significantly reduce the security, stability and performance of the motorcycle.
- When cleaning the case use water with neutral soap, always avoid using solvents or chemical products.
- For a long lasting use of the case, SHAD recommends the use of its spare parts.
- When using the top case SH49-SH50, SHAD recommends using side cases, SH36 SH43 or SH42.
- Keep this guide as a reference for further doubts regarding the use or assembling of the case.

ASSEMBLY PRECAUTIONS

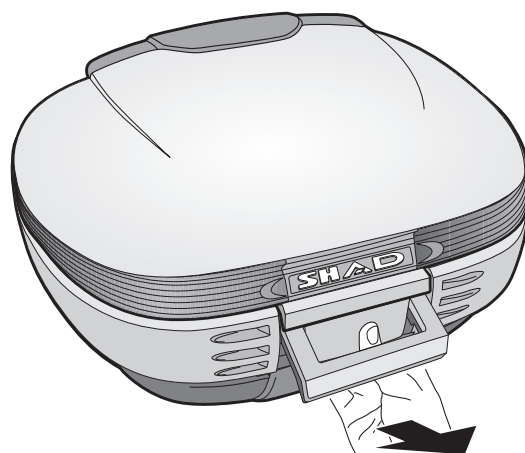
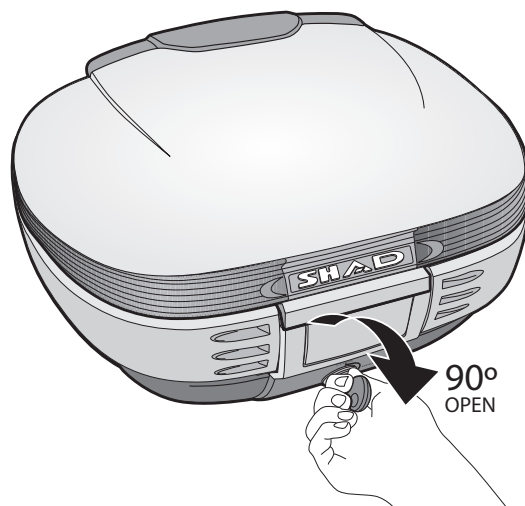
- SHAD will not hold responsibility for damages caused by an incorrect assembly or adjustment carried out by unqualified personnel.
- If problems or questions should rise during the assembling of the case, contact the dealership, distributor or manufacturer directly.

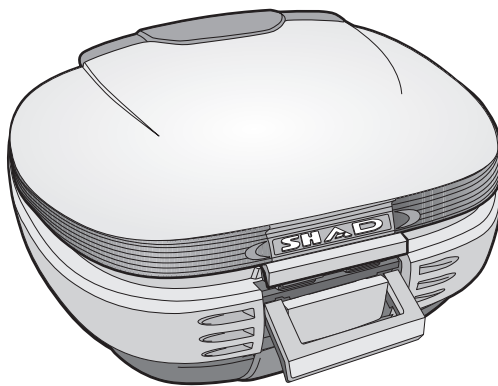


**OPEN THE CASE
(OPEN):**

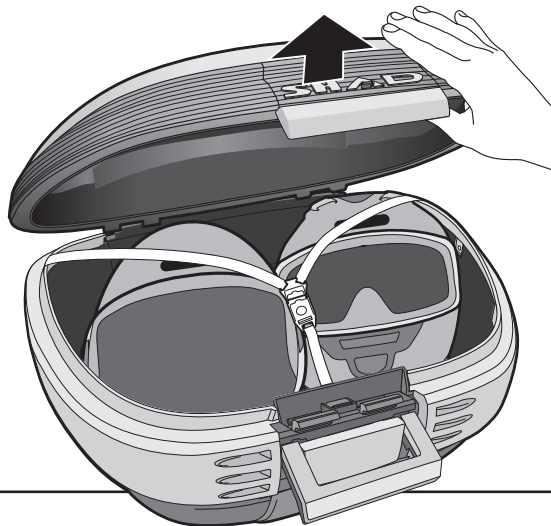
Turn the key 90° clockwise from the position CLOSE towards the position OPEN. In this position, push the button, the handle will tilt forward automatically.

Use the lever to open the case.

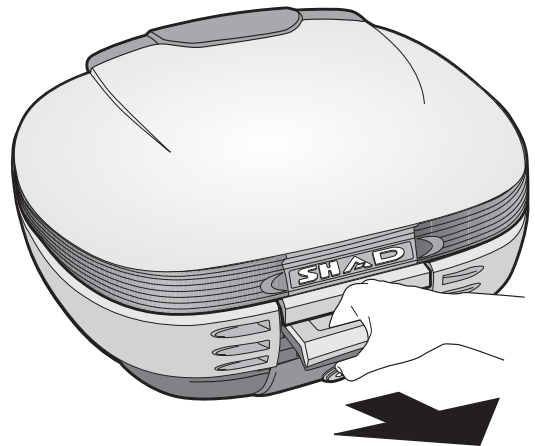
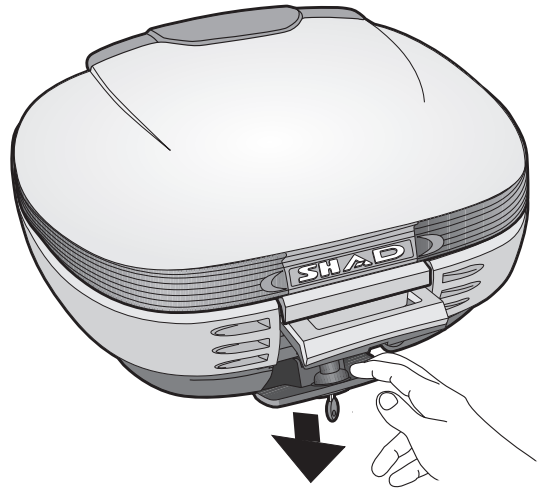




(GB) *The handle should be in the upright position in order to close the Top Case.*

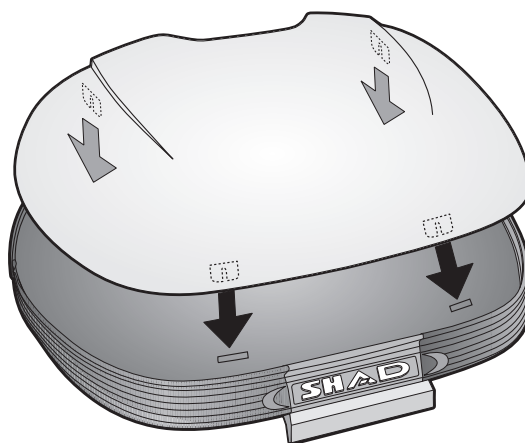
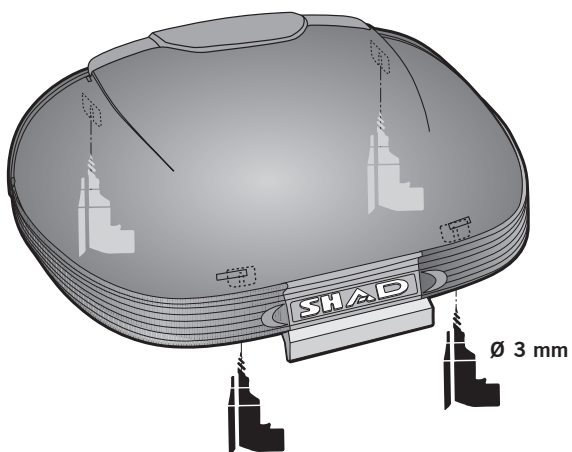


RELEASE. Push the button, the handle will tilt forward automatically. Pull the lower lever to release the case from the bottom rack.



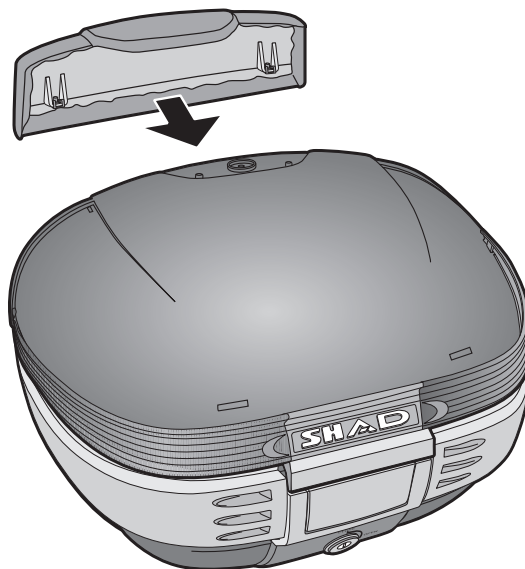
INSTALLING THE COLOR PLATE SH50:

Using a $\varnothing 3$ mm drill bit, drill 4
holes on the inner side of the
case. Next, fasten the color plate
using the screws.

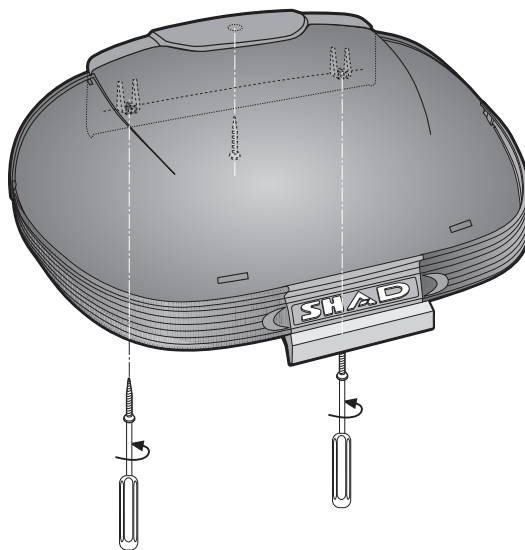


INSTALLING THE BACKREST SH50:

ⒸGB Position the backrest over the top case as illustrated and fasten with 3 screws on the inner side of the case.



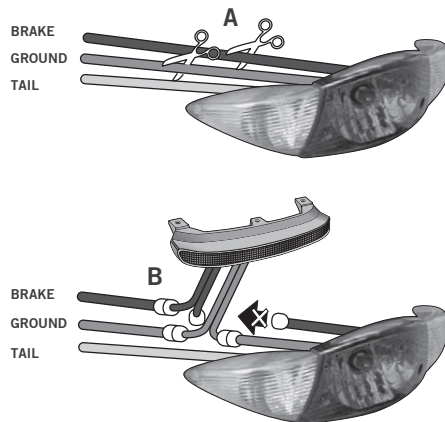
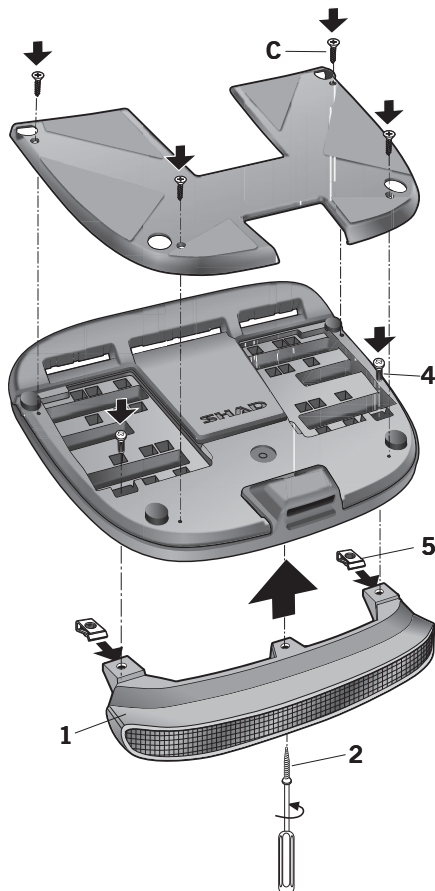
Accessories On Top case SH49 it's possible to put the backrest DOR160.



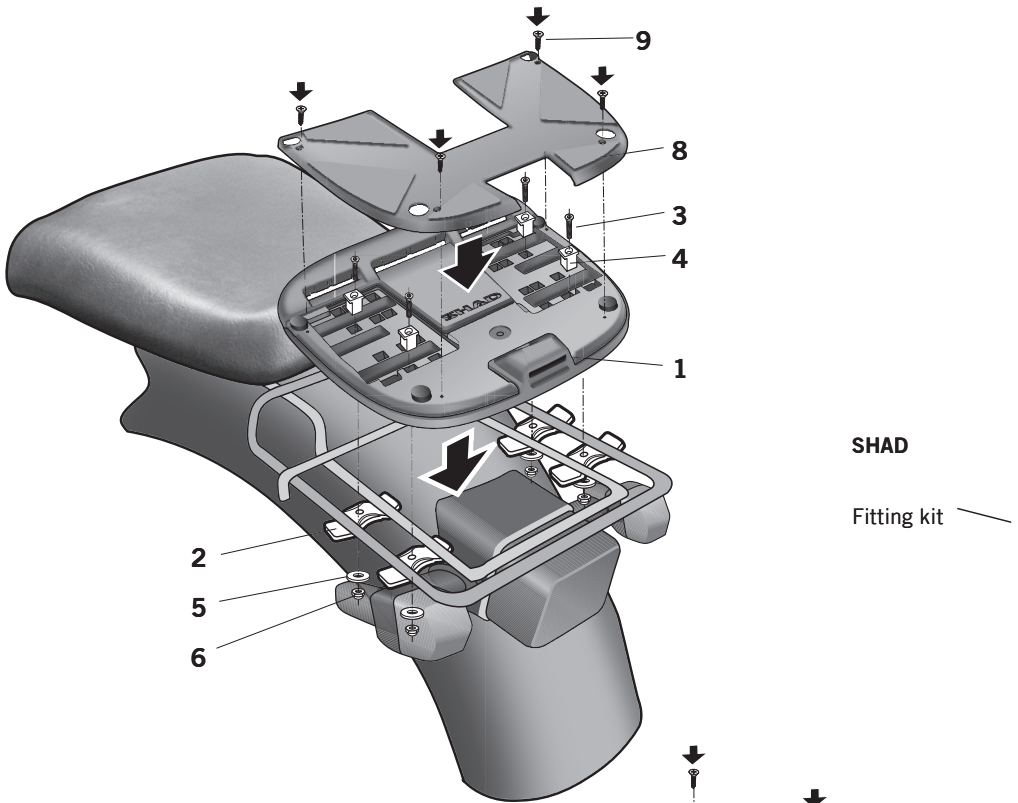
LIGHT KIT



Verify that breaklight does not interfere with the light system of the motorcycle.
The Light Kit has to be assembled according to the current European directive.



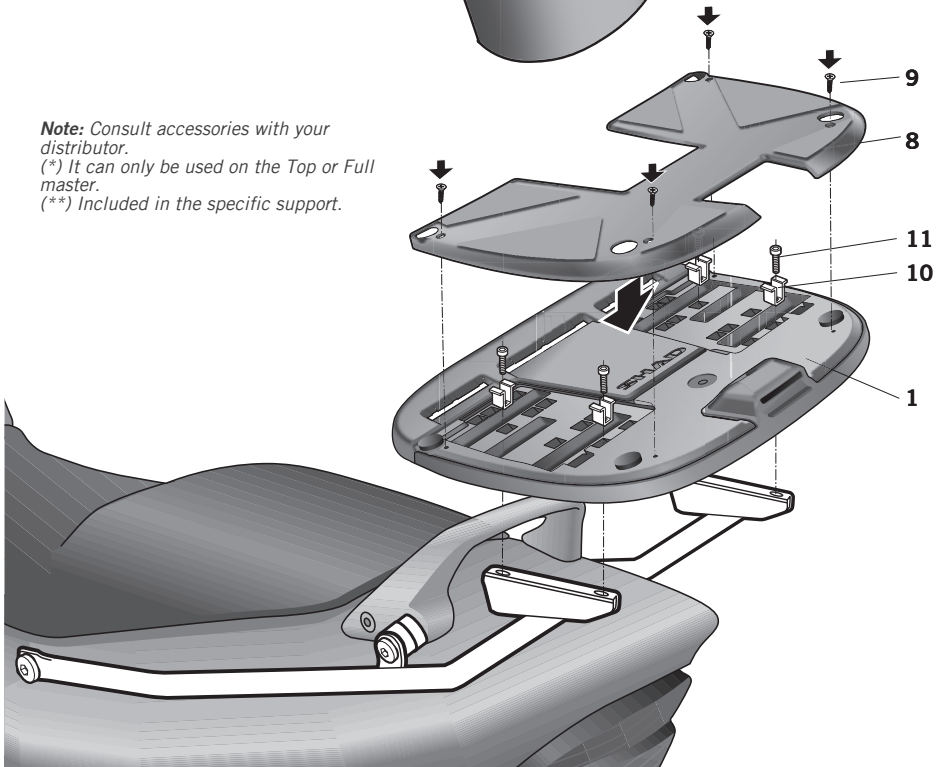
Number	Reference	Quantity
1	200890 (KIT LIGHT)	1
2	304127 (Screw M3'5x13 DIN7982)	1
3	200851 (Plastic bridles)	3
4	304017 (Screw M5x16 DIN7985)	2
5	305058 (Rapid Nut TRT-M5-1)	2

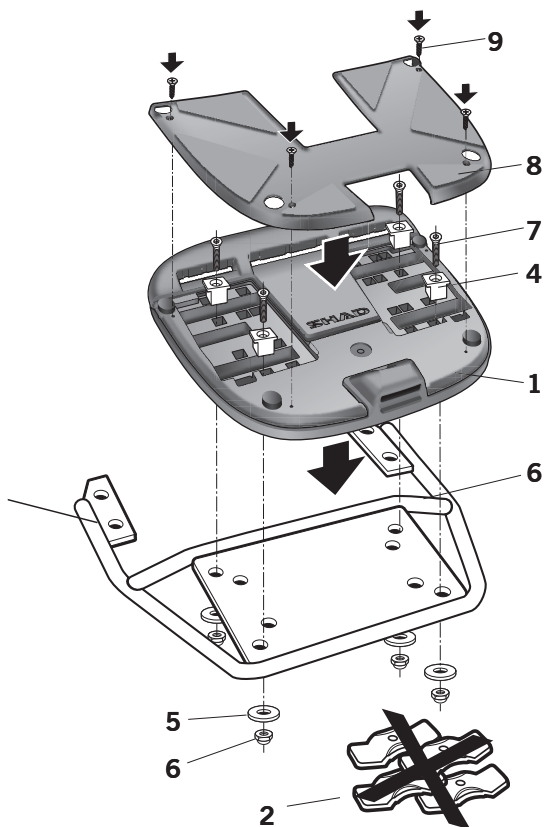


SHAD

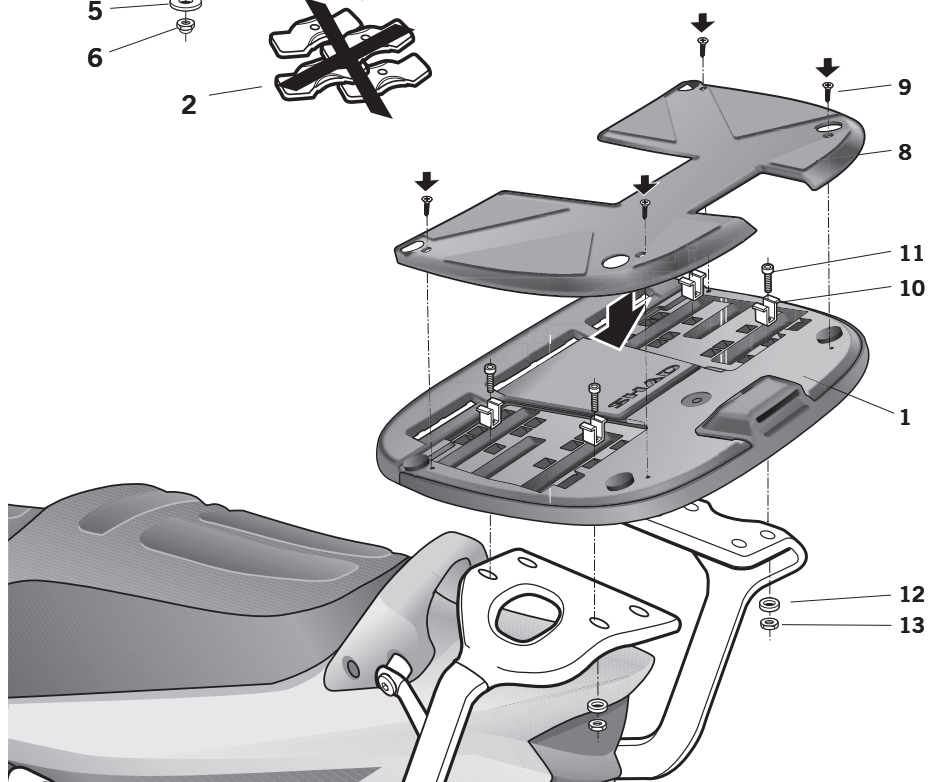
Fitting kit

Note: Consult accessories with your distributor.
 (*) It can only be used on the Top or Full master.
 (**) Included in the specific support.





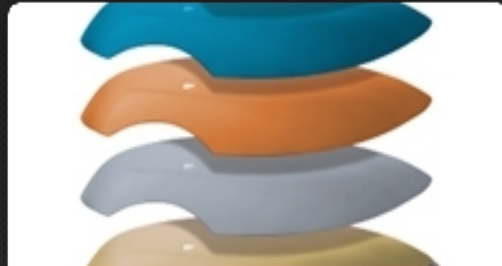
Number	Reference	Quantity
1	201834 (Support piece)	1
2	201049 (Bridle)	4
3	304144 (Screw M6x40 DIN 965)	4
4	200713/2 (Plastic bridle)	4
5	303000 (Ø6 Washer fs M6 DIN 125 A)	4
6	302021 (M6 Nut M6 DIN 985)	4
7	304058 (Screw M6x30 DIN 965)	4
8	201835 (Cover support piece)	1
9	304127 (Screw Ø3'5x13 DIN 7982)	4
10	201504(Metal piece) *	4
11	304074 (Screw M8x20 DIN 912) **	4
12	303020 (Ø8 Washer fs M8 DIN 125 A) **	4
13	302024 (Nut M8 DIN 985) **	4



FEATURES



CHANGE COLOUR SYSTEM



Maximum Load: 8



CAPACITY

2 full face helmets



PLATE

D1B48PA plate included



BACKREST



SMART LOCK SYSTEM



IMPACT RESISTANT



ACCESSORY INNER BAG

Optional inner bag as an accessory



DESIGNED IN BARCELONA



Waterproof Sealing System



ACCESSORY UPPER RACK



MEASUREMENTS

Width: 60 / Height: 32 / Depth: 46

Find out more about luggage systems & saddlebags we have.