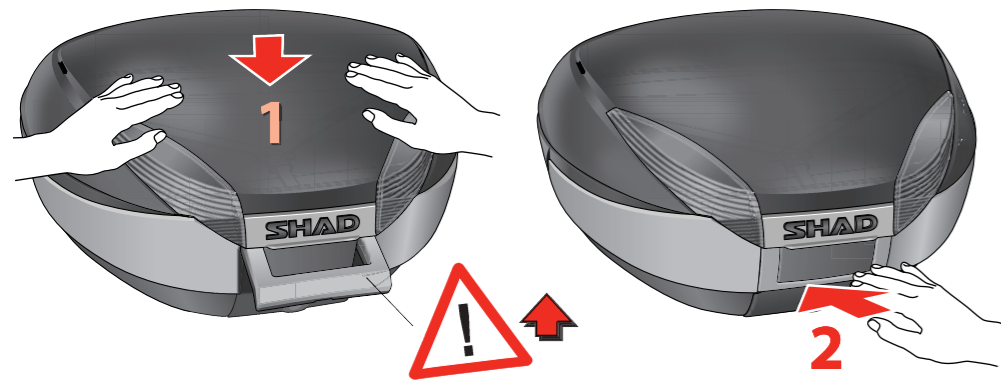
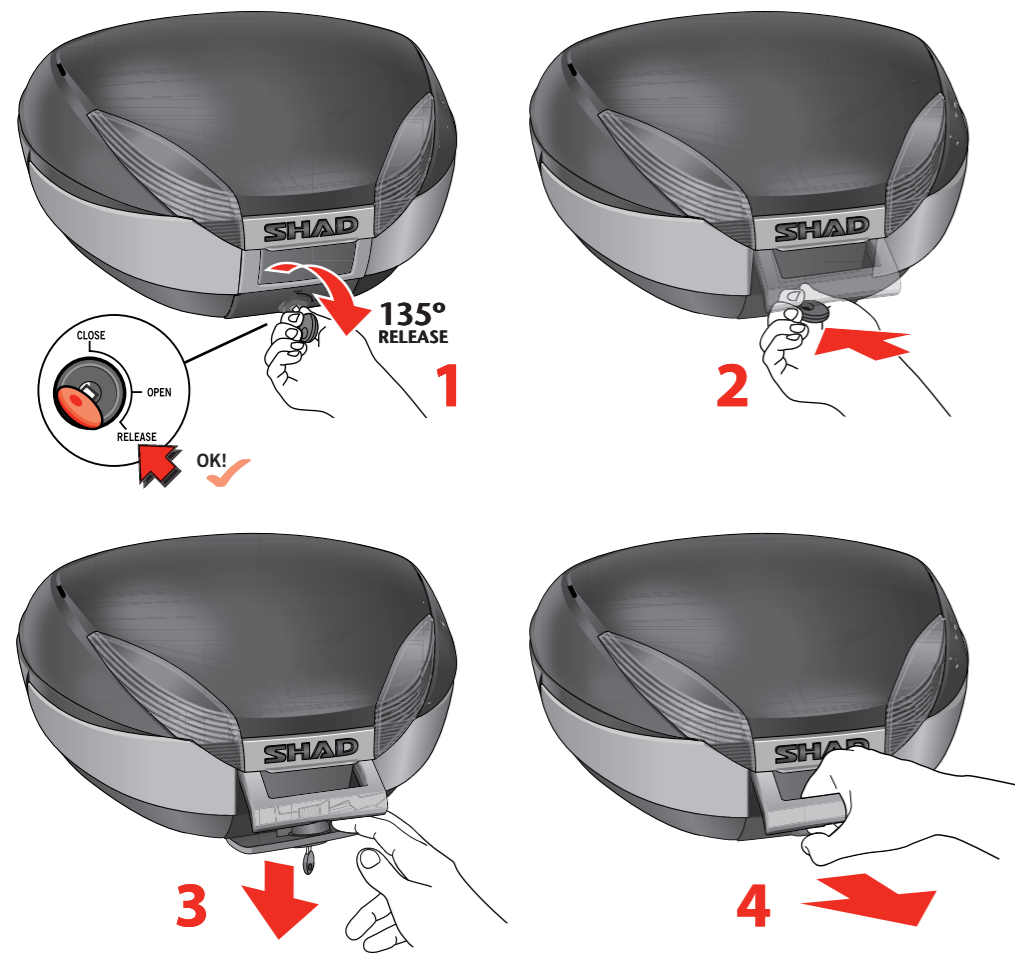


## CLOSED



## RELEASE

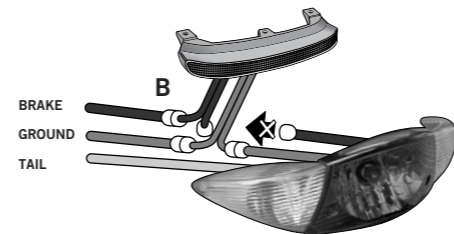
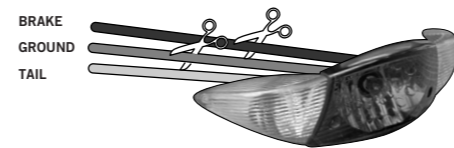
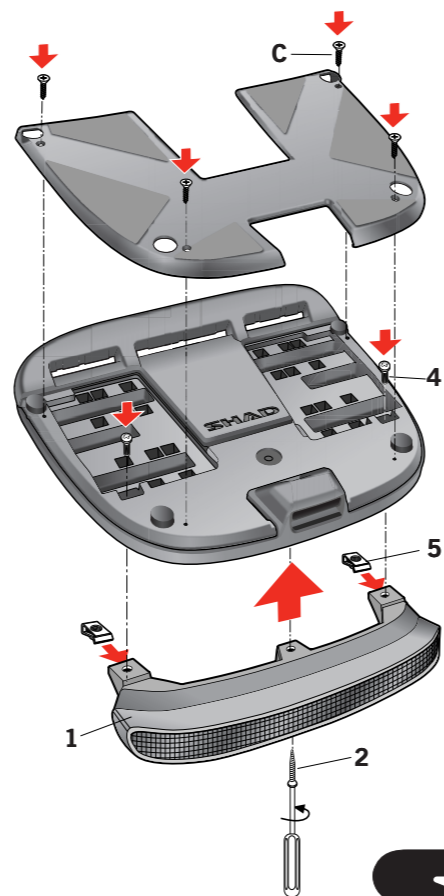


SHAD SH48

## LIGHT KIT



Verify that breaklight does not interfere with the light system of the motorcycle.  
The Light Kit has to be assembled according to the current European directive.



Number	Reference	Quantity
1	200890 (KIT LIGHT)	1
2	304127 (Screw M3'5x13 DIN7982)	1
3	200851 (Plastic bridles)	3
4	304017 (Screw M5x16 DIN7985)	2
5	305058 (Rapid Nut TRT-M5-1)	2

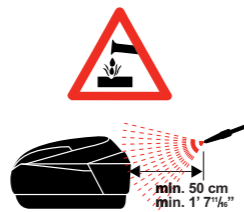
# SHAD

# SH48

MOTOR CASES

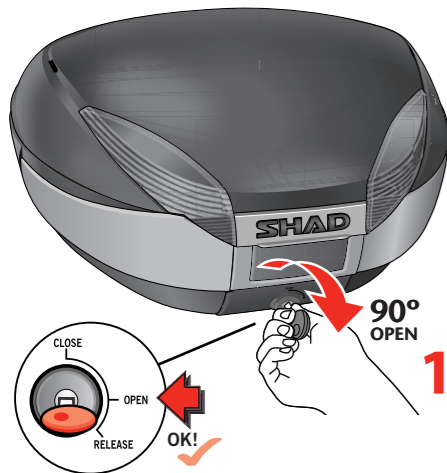


# SHAD

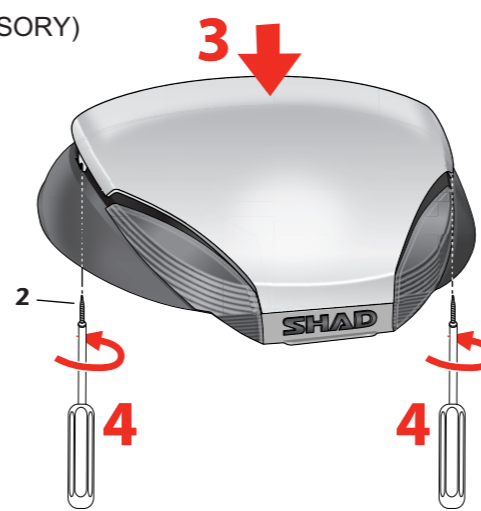
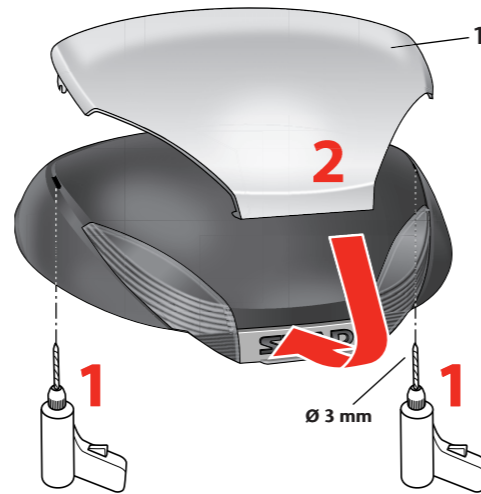


GB \*SHAD will not hold responsibility for damages caused by an incorrect assembly or adjustment carried out by unqualified personnel.

**OPEN**

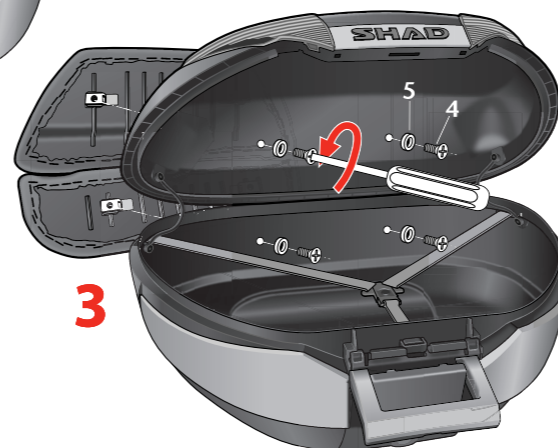
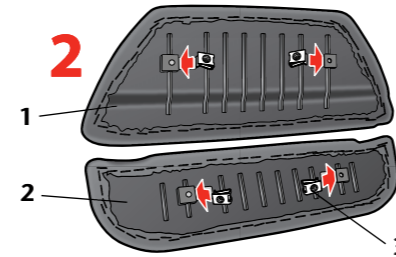


**COVER PLATE (OPTIONAL ACCESSORY)**



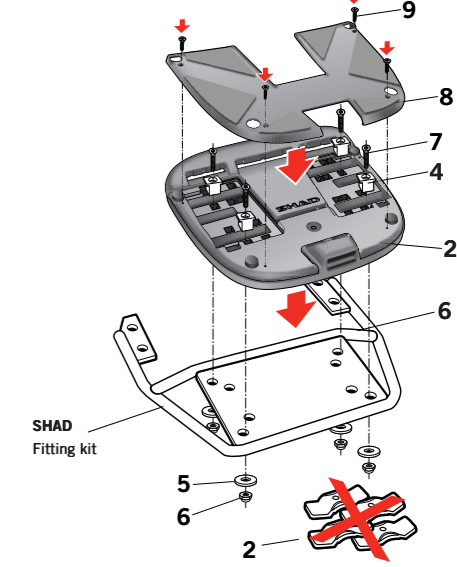
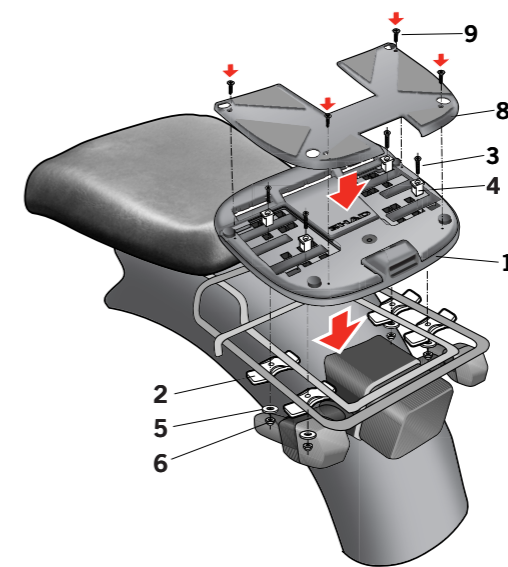
Number	Reference	Quantity
1	D1B48EP... (colors)	1
2	304127 (Screw 3'5x13 DIN7982)	2

**BACKREST (OPTIONAL ACCESSORY)**

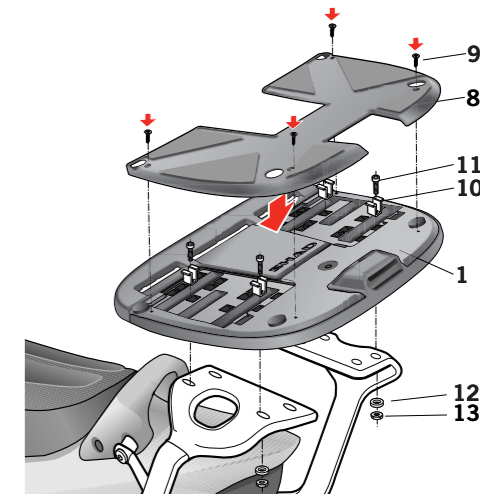
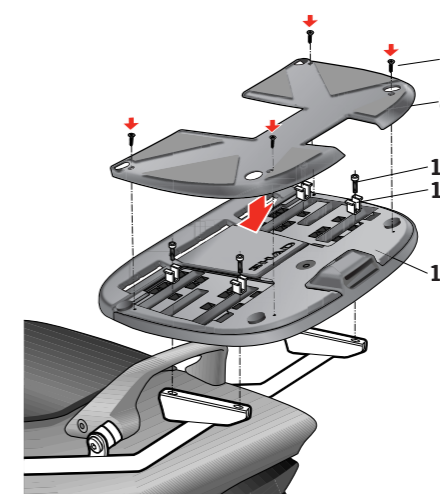


Number	Reference	Quantity
1	DORI4810 (BACKREST LID)	1
2	DORI4820 (BACKREST BASE)	1
3	305058 (Rapid Nut TRT-M5-1)	4
4	304191 (Screw M5x16 DIN965)	4
5	200314 (Plastic washer)	4

**ASSEMBLY CASE SUPPORT**




















Note: Consult accessories with your distributor.  
 (\*) It can only be used on the Top or Full master.  
 (\*\*) Included in the specific support.



Number	Reference	Quantity	Number	Reference	Quantity	Number	Reference	Quantity
1	201834 (Support piece)	1	6	302021 (M6 Nut M6 DIN 985)	4	11	304074 (Screw M8x20 DIN 912) **	4
2	201049 (Bridle)	4	7	304058 (Screw M6x30 DIN 965)	4	12	303020 (Ø8 Washer fs M8 DIN 125 A) **	4
3	304144 (Screw M6x40 DIN 965)	4	8	201835 (Cover support piece)	1	13	302024 (Nut M8 DIN 985) **	4
4	200713/2 (Plastic bridle)	4	9	304127 (Screw Ø3'5x13 DIN 7982)	4			
5	303000 (Ø6 Washer fs M6 DIN 125 A)	4	10	201504 (Metal piece) *	4			

# TECHNICAL DETAILS

 <p>DESIGNED IN BARCELONA</p>	<p>Maximum Load: 8</p>  <p>MAXIMUM LOAD</p>	<p>2 full face helmets</p>  <p>CAPACITY</p>	 <p>Smart Lock System</p>  <p>SMART LOCK SYSTEM</p>	 <p>D1B48PA plate included</p>  <p>PLATE</p>
 <p>IMPACT RESISTANT</p>	<p>Waterproof Sealing System</p>  <p>WATERPROOF</p>	 <p>Optional backrest as an accessory</p>  <p>ACCESSORY BACKREST</p>	<p>Optional inner bag as an accessory</p>  <p>ACCESSORY INNER BAG</p>	 <p>Optional upper rack as an accessory</p>  <p>ACCESSORY UPPER RACK</p>
 <p>Optional brake light as an accessory</p>  <p>ACCESSORY BRAKE LIGHT</p>	<p>Width: 61 / Height: 31 / Depth: 46</p>  <p>cm</p> <p>MEASUREMENTS</p>			