

# Top case support assembly



1 201124 x1



3 304144 x4  
M6x40 Din 965



5 303000 x4  
Ø6



7 304058 x4  
M6x30 Din 965



2 201049 x4



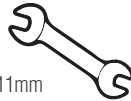
4 200713/2 x4



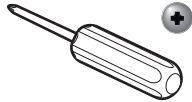
6 302021 x4  
M6



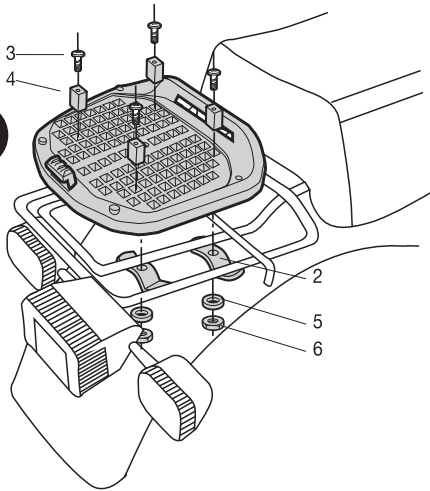
8 201125 x1



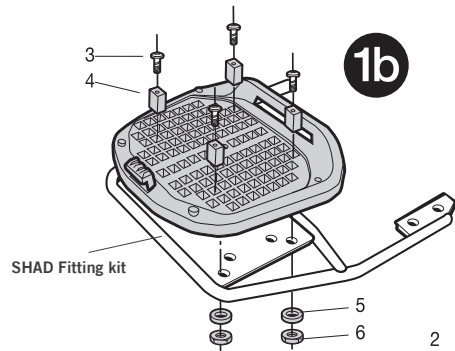
N° 10-11mm



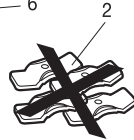
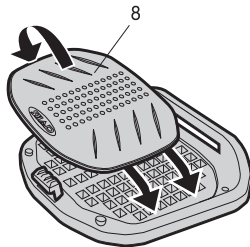
1a



1b



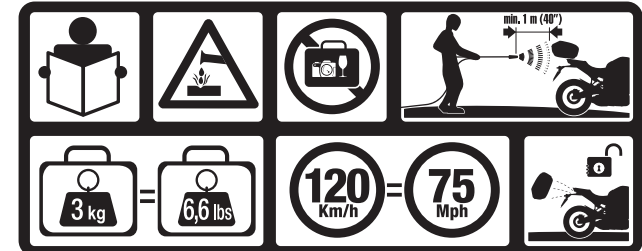
2



# SHAD

# SH34

INSTRUCTION MANUAL

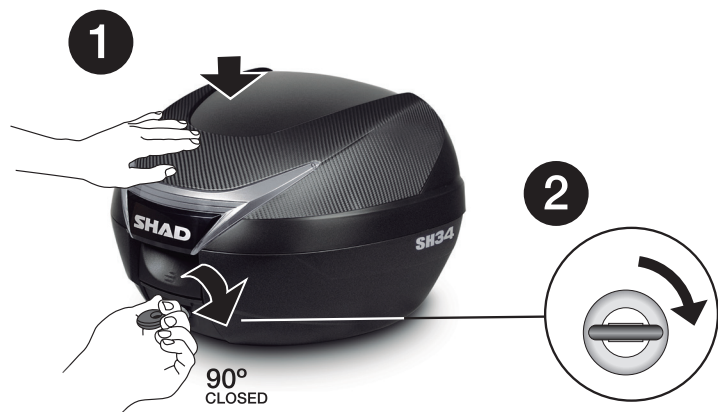


INSPIRED IN BARCELONA®

## Open



## Close



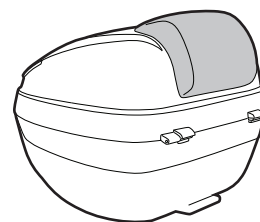
## Release



## Install



## Accessories (optional)



Backrest



Brake light

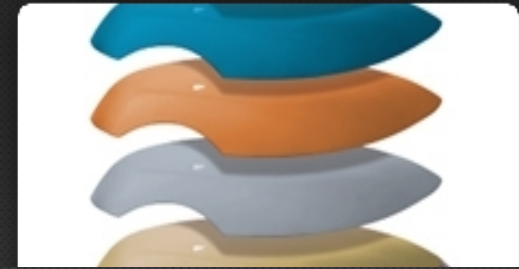
# FEATURES



PRESS LOCK SYSTEM



CHANGE COLOUR SYSTEM



CAPACITY

1 full-face helmet



PLATE

D1B29PAR plate included



ACCESSORY BACKREST



Optional backrest as an accessory



ACCESSORY BRAKE LIGHT



Optional brake light as an accessory



IMPACT RESISTANT



WATERPROOF  
Waterproof Sealing System



MEASUREMENTS  
Width: 42 / Height: 31 / Depth: 43



MAXIMUM LOAD  
Maximum Load: 3

Find out more about luggage systems & saddlebags we have.