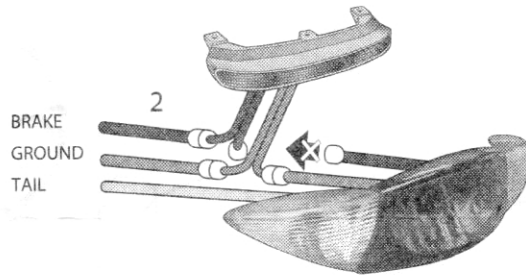
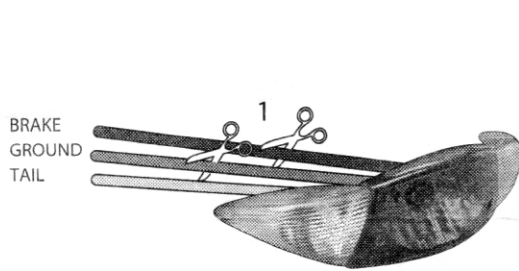


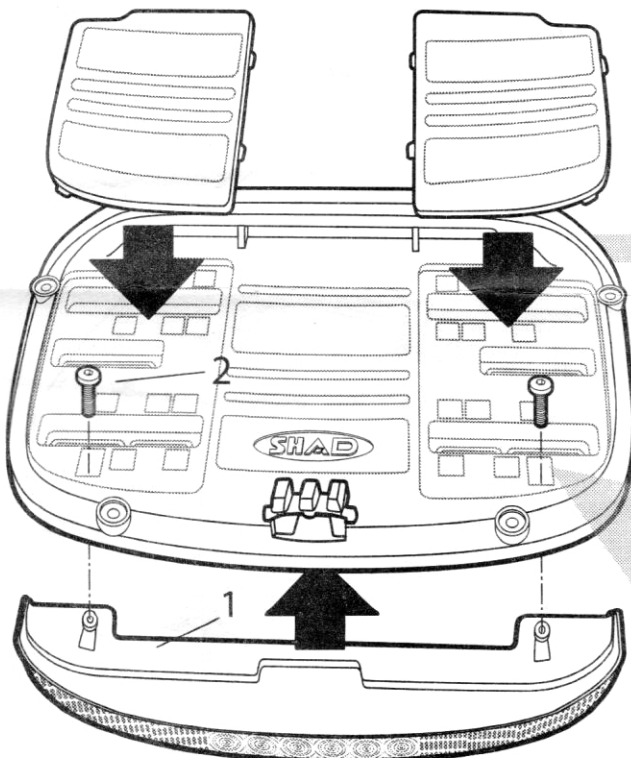
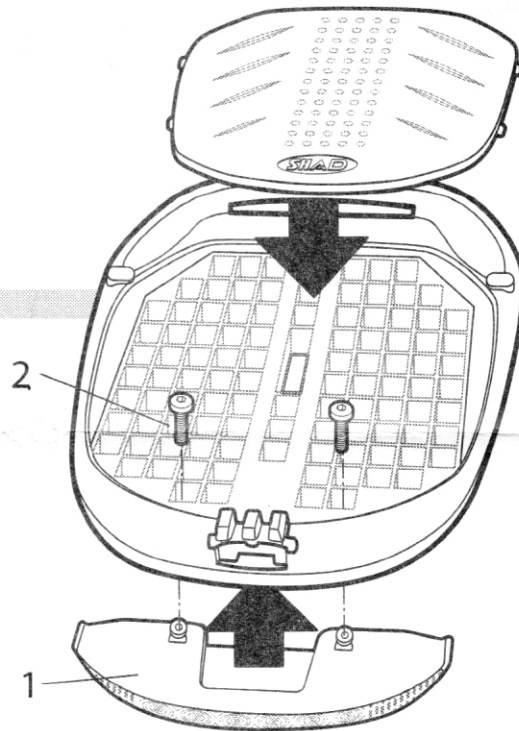


ⒼB Verify that breaklight does not interfere with the light system of the motorcycle.
The Light Kit has to be assembled according to the current European directive.



SH26-SH29-SH33-SH37





Pos.	Ref.	Cant.
1	201604	1
2	Ø4,1 x 18 304277	2
3	200851	3

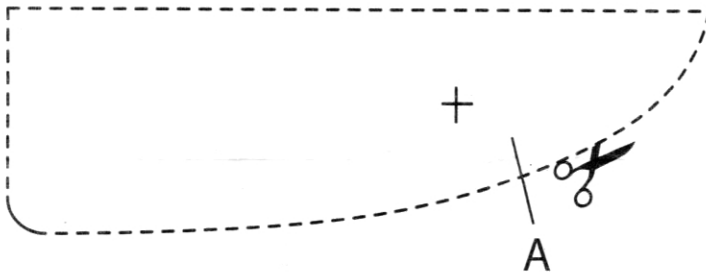
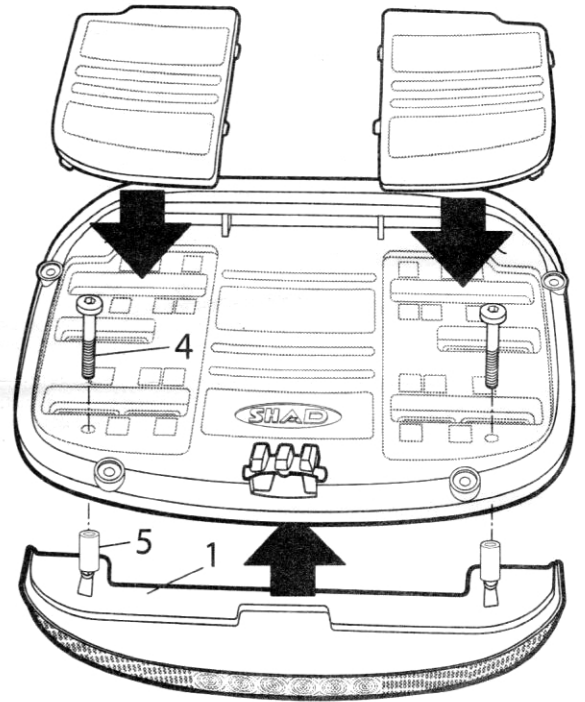
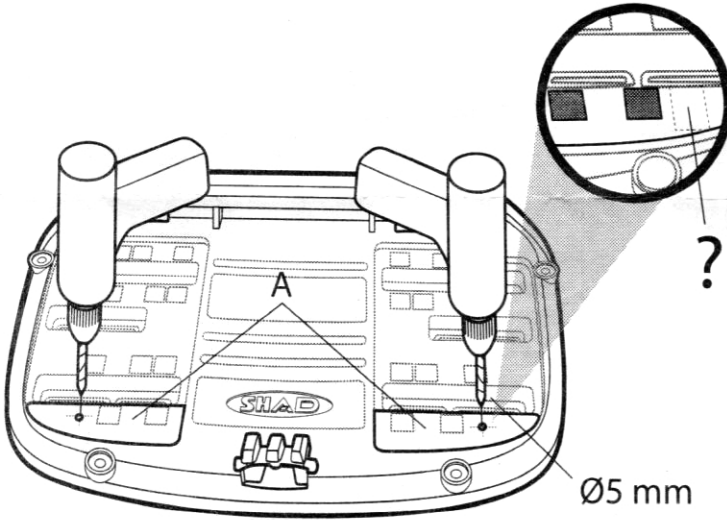


SH40-SH42-SH45-SH46




Pos.	Ref.	Cant.
1	201605	1
2	Ø4,1 x 18 304277	2
3	200851	3

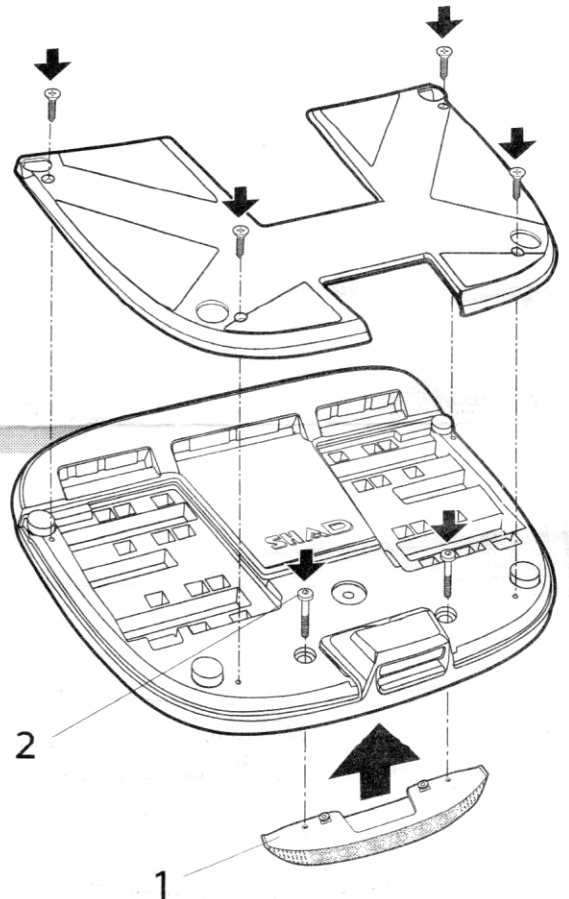
SH40-SH42-SH45-SH46

Pos.		Ref.	Cant.
1		201605	1
3		200851	3
4		Ø4,1 x 30 304285	2
5		201668	2



SH48 - SH49 - SH50

Pos.		Ref.	Cant.
1		201604	1
2		Ø4,1 x 30 304285	2
3		200851	3



Find out more about tail lights we have.