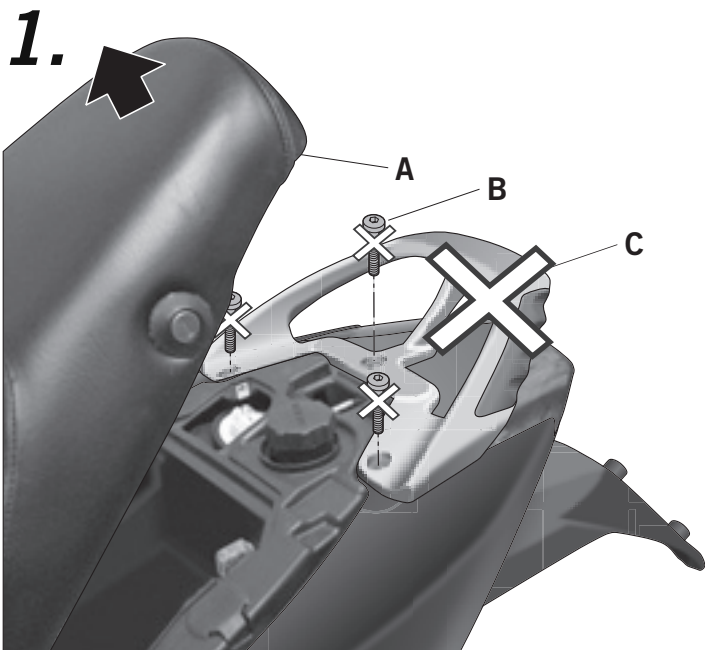
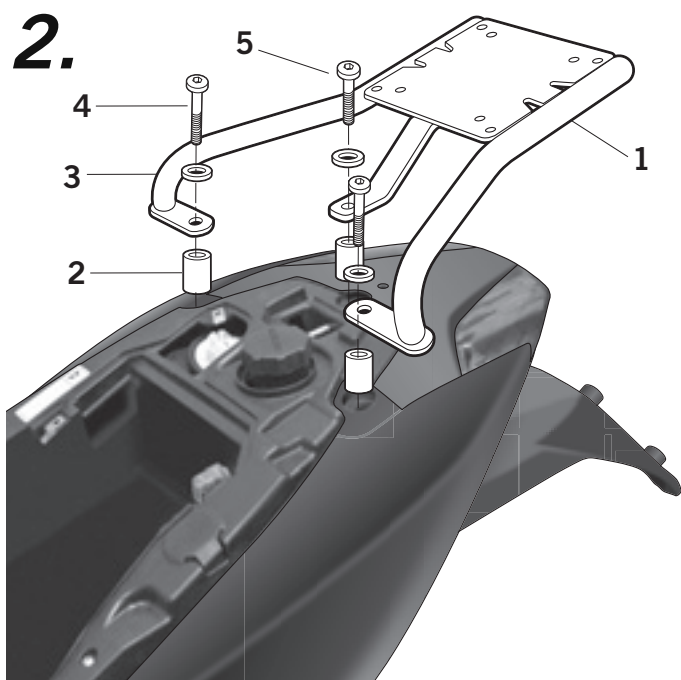


**Advice for correct fitting of the kit:** Do not fully tighten the screws until it is ensured that the KIT is correctly attached and aligned.



Open the back seat (A), disassemble and discard the screws (B) and the handle (D).

Assemble the KIT TOP support (1) in the front area by means of the spacers (2), the washers (3) and the screws (4), and in the rear zone by means of the spacer (2), the washer (3) and the screw (5). Close the seat (A).



**PARTS:**

Pos.	Ref.		Cant.	
1	261230		1	KIT TOPMASTER
2	261042		3	Distanciador Ø16 X Ø 9 X 15 - Spacer - Entre-toise - Abstandshalter - Distanziatore
3	303020		3	Arandela Ø8 - Washer - Rondelle - Scheibe - Rondella
4	304039		2	Tornillo M8 x 40 DIN 7380 - Screw - Vis - Schraube - Vite
5	304272		1	Tornillo M8 X 35 DIN 7380 - Screw - Vis - Schraube - Vite