

BASE-CLAMPS HOW IT WORKS:

STEP 1

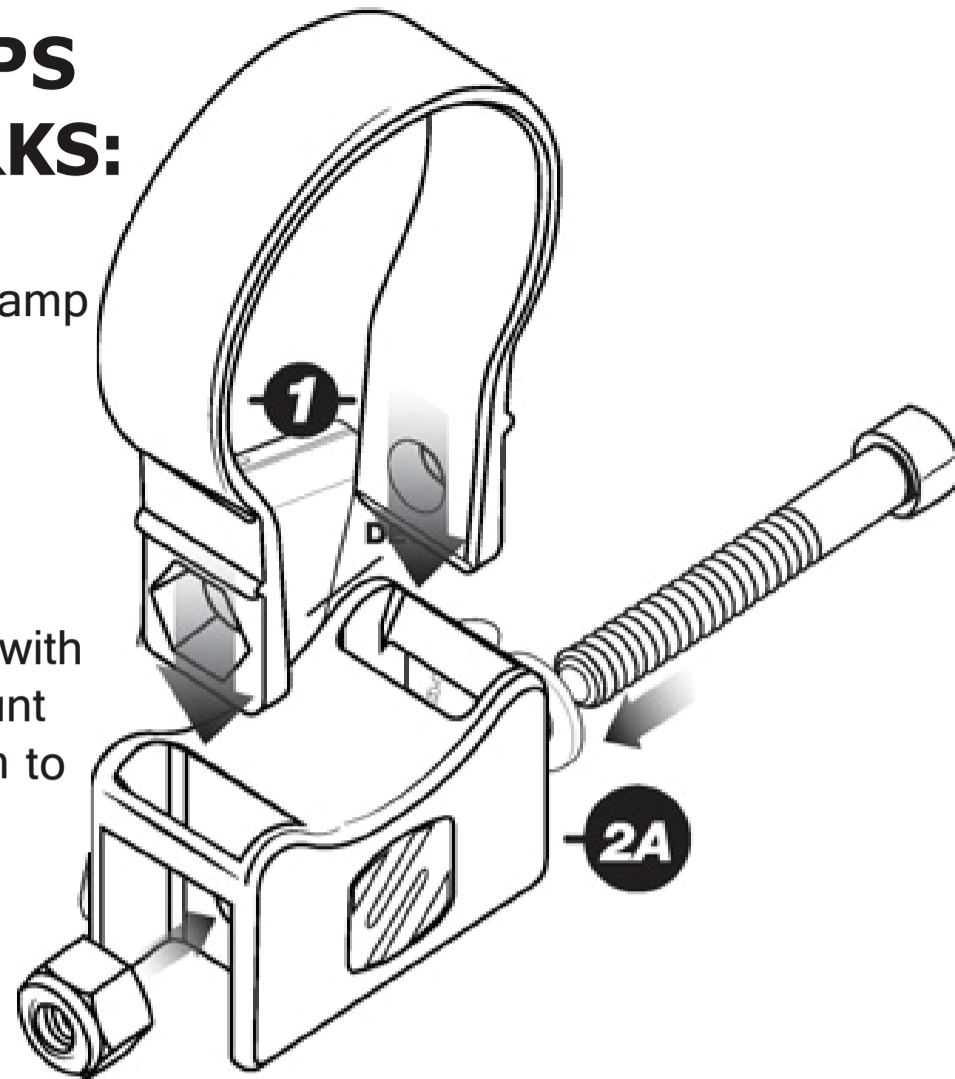
Select the right size clamp
(Various sizes sold separately)

STEP 2

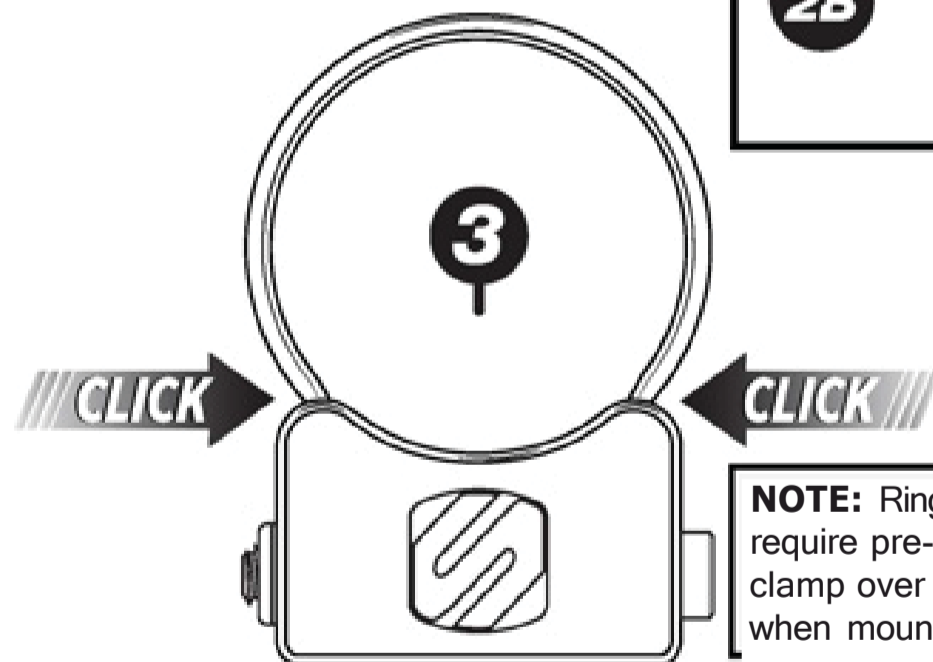
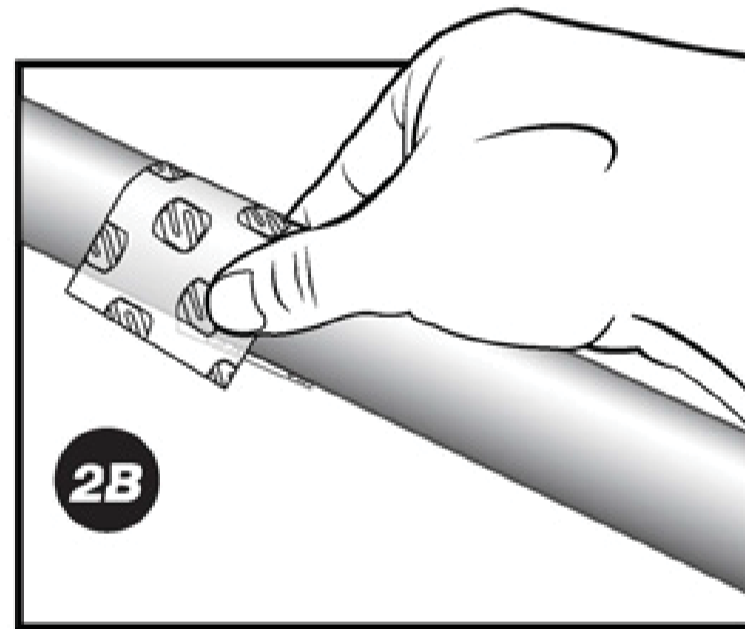
Select the base & ring clamp that coincides with what you need to mount
2A. Use protective film to prevent any paint damage 2B.

STEP 3

Lock it in place



The self locking clamp design allows for easy one person installation. Simply slip the clamp over tube and lock in your base, secure using the stainless mounting hardware and you are ready to Mount Up and Move Out.



NOTE: Ring clamps 2" & over in size may require pre-stretching to help spread the clamp over the tube. (Use Protective film when mounting)



PSM31000

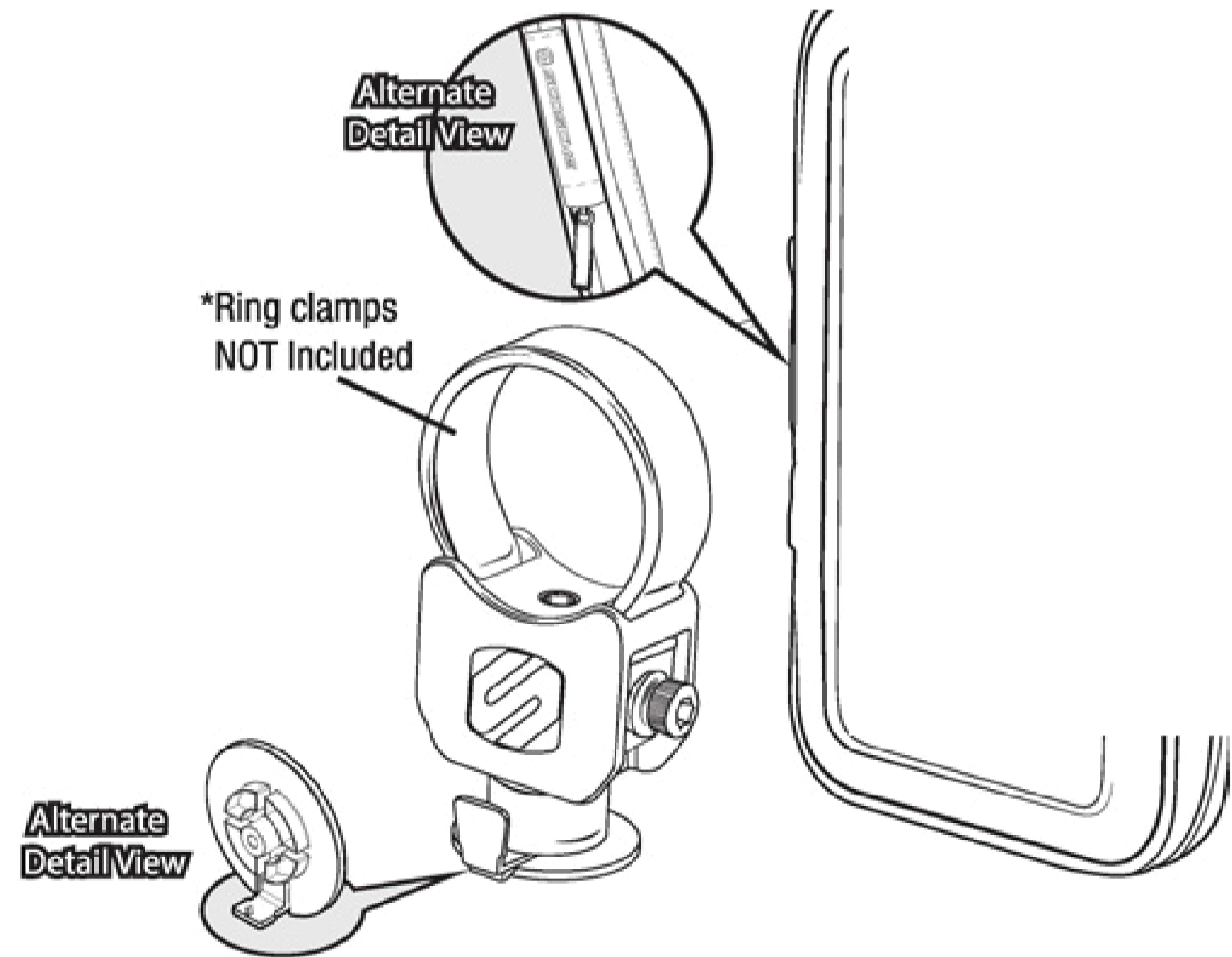
PHONE HOLDER BASE CLAMP

PARTS INCLUDED

- (1) Protective Weatherproof Phone Bag
- (1) Phone Holder Base Mount
- (1) 3/16" Screw (for case positioning)
- (1) Smartphone Case Mounting Adapter

TOOLS REQUIRED (Not Included)

3/16" Hex (Allen) Key, Except where noted



"VARIOUS TUBE CLAMP SIZES SOLD SEPARATELY w / H A R D W A R E @ . . .

- PSC21006 - BaseClamp 1.5" Tube Clamp
- PSC21007 - BaseClamp 1.625" Tube Clamp
- PSC21009 - BaseClamp 1.75" Tube Clamp
- PSC21010 - BaseClamp 1.85" Tube Clamp
- PSC21011 - BaseClamp 1.875" Tube Clamp
- PSC21012 - BaseClamp 2" Tube Clamp

PSM31000 PHONE HOLDER BASE CLAMP

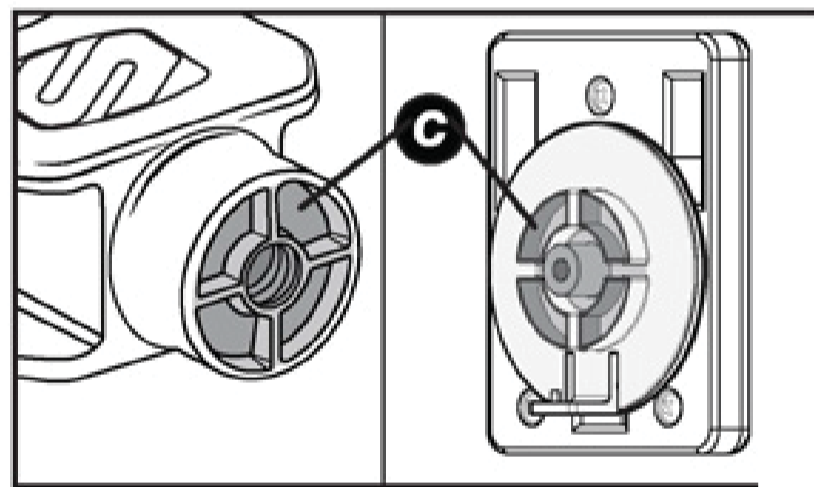
Pre-assembled, initial setup not required for PSM31000. Please use the following as a guide for rotation/disassembly if needed.

PHONE CASE ADAPTER SETUP GUIDE

1. Align backside of the case adapter to the backside of the case and insert into lower slot (A).
2. Once inserted into slot firmly slide upwards to lock into place (B).

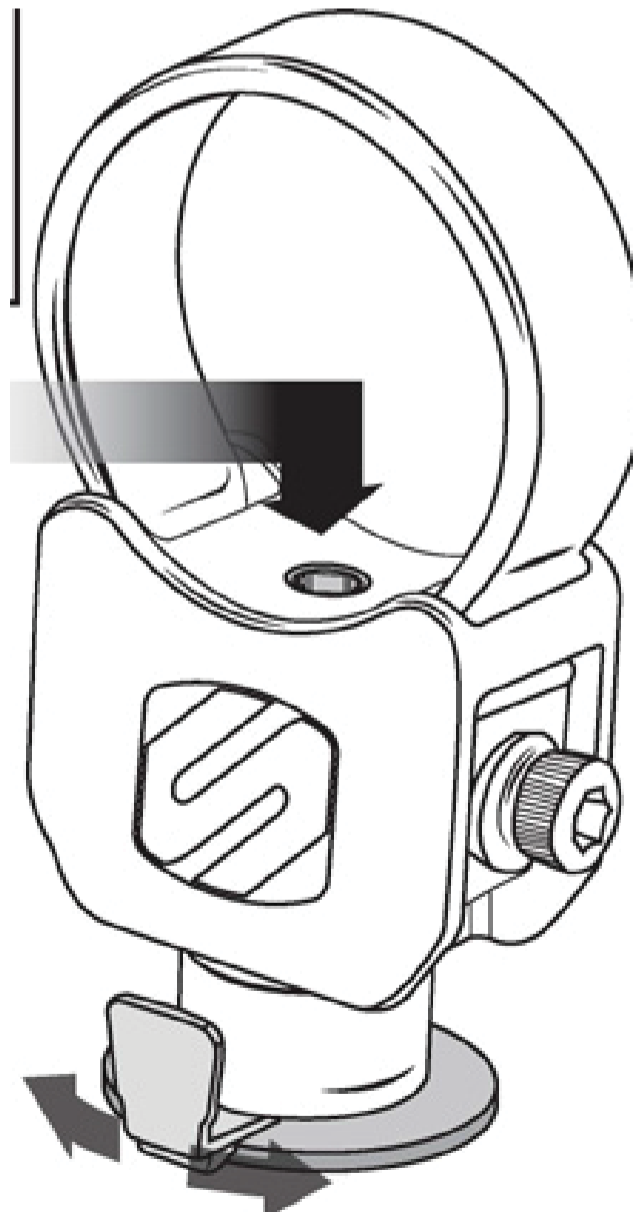
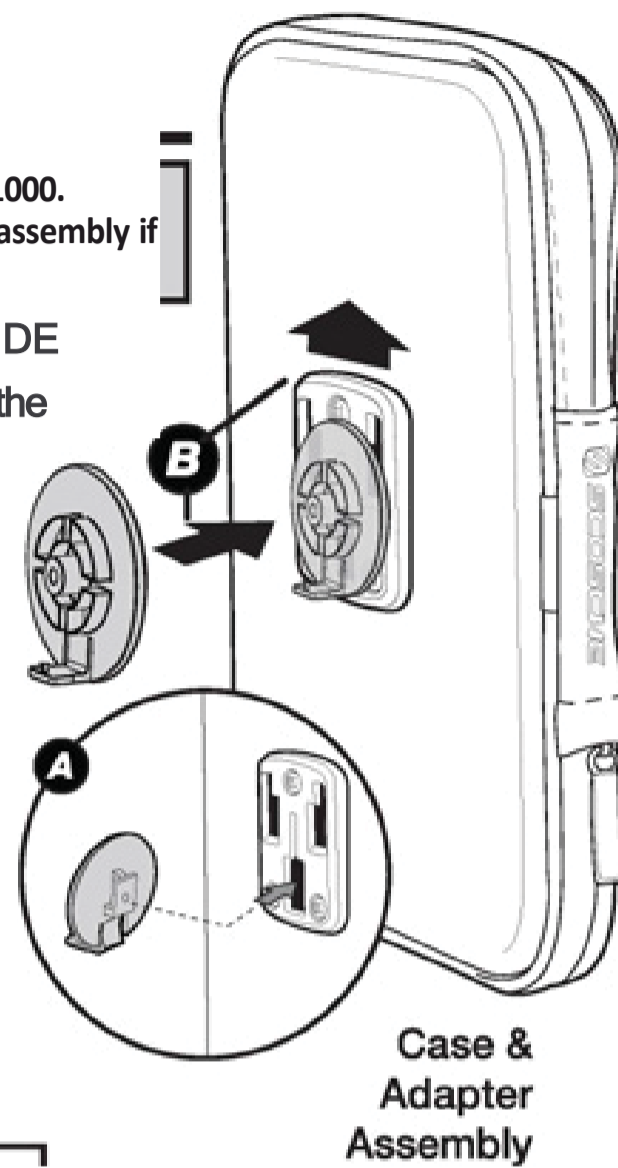
MOUNTING THE CASE ASSEMBLY TO BASE

1. Align front side (base mounting side) of the case adapter to the bottom of the base (C).
2. Use a 3/16" hex key to fasten the adapter to the case (D).



8

Note: Loosen the 3/16" screw (D) to tighten and/or loosen the case adapter. Loosen to adjust the positioning of the case and tighten to secure the case into desired position.



PSM31000 PHONE HOLDER BASE CLAMP

MOUNTING THE PHONE HOLDER BASE CLAMP (PSM31000)

STEP 1

Choose a mounting location (A).

STEP 2

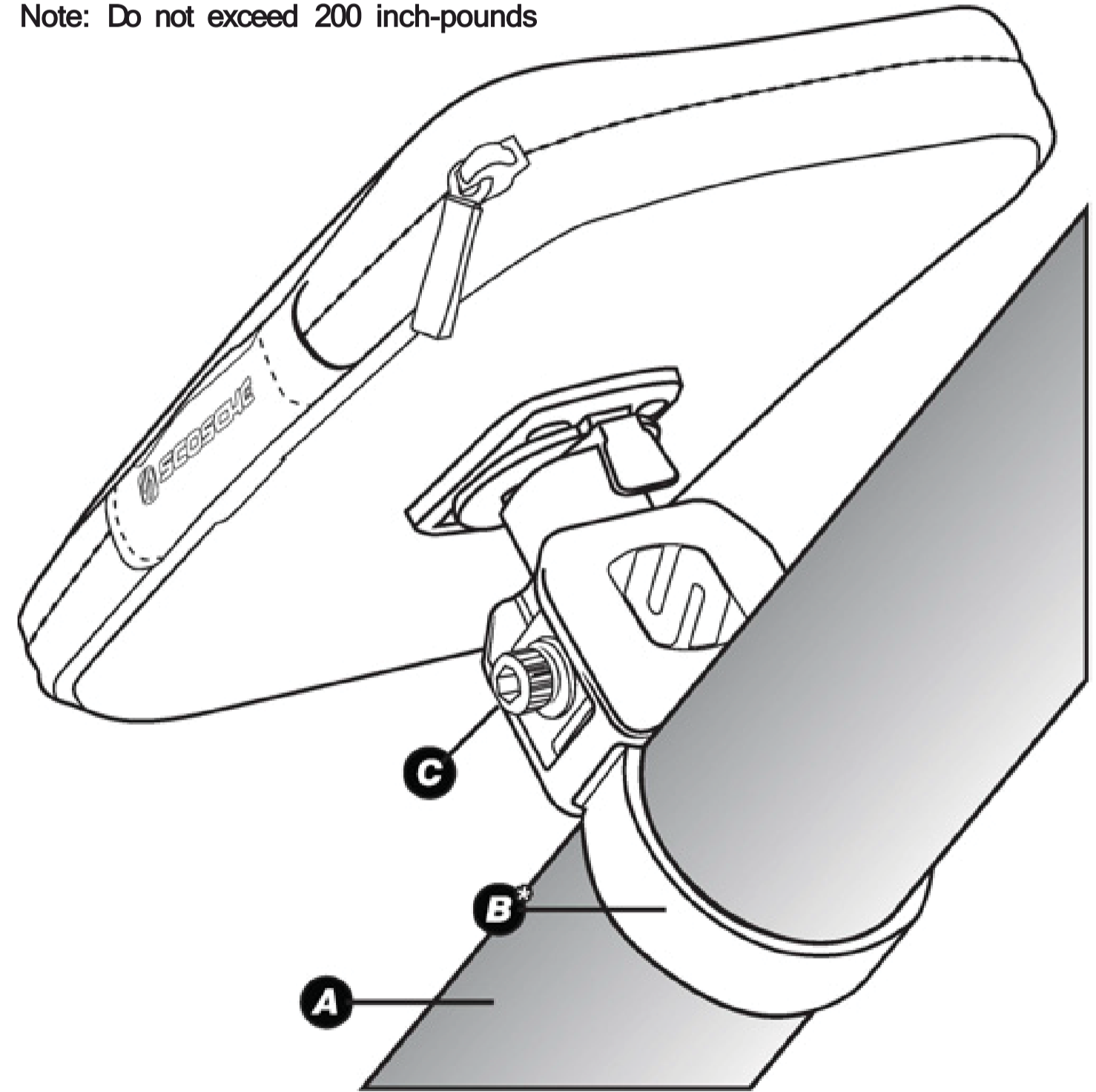
Mount base to the appropriate sized clamp ring for the vehicle (B*J).

Note: Do not exceed 200 inch-pounds

STEP 3

Position the phone holder base mount by clicking clamp rings into the base. Then use a 3/16" hex key to fasten the screw & nut (CJ included with the ring clamp*. Continue until clamp is tight and does not move.

Note: Do not exceed 200 inch-pounds



* Various ring clamp sizes available (sold separately w/ hardware).

Clamp Removal:

In-order to remove the tube clamp from location, the clamp must first be tightened to allow base removal. Once tightened, loosen the clamp and carefully squeeze clamp to remove from the location. **Note:** Use protective film to help avoid damage to the paint.