

---

# TerraClamp<sup>™</sup>

---

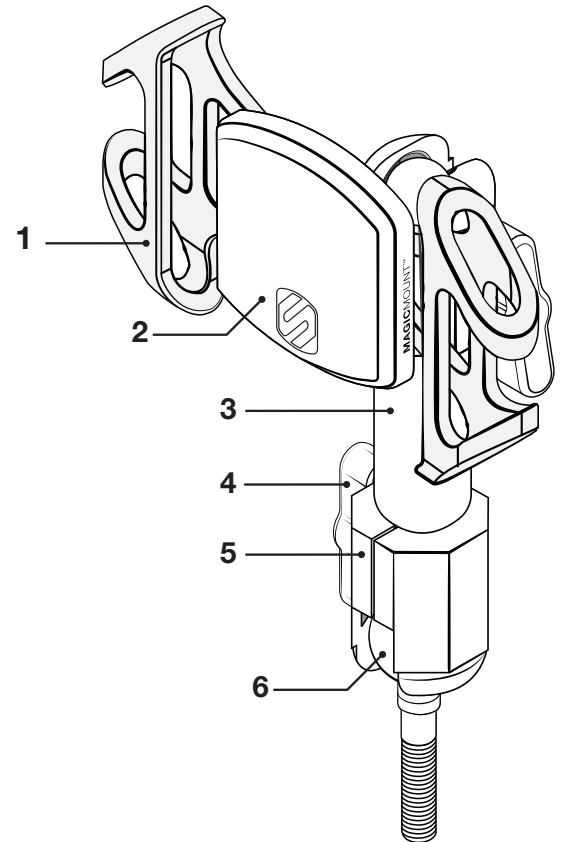
## MAGICMOUNT<sup>™</sup> TRIPLE CLAMP

### PARTS INCLUDED

1. (1) Elastic Band
2. (1) \***MAGICMOUNT**<sup>™</sup> w/ Mounting Plates
3. (1) 1.5" Extension Bar
4. (2) Adjustment Knobs w/ Washers
5. (2) Mounting Adapter Pairs
6. (1) Pivot Joint Bolt Mount
7. Includes 3 different different size bolts:
  - **M8 x 1.5mm x 55mm**
  - **M8 x 1.5mm x 60mm**
  - **M8 x 1.5mm x 65mm**

**\*Caution:** This magnetic mount is not a toy. The small magnetics are harmful if swallowed. Keep out of reach of children.

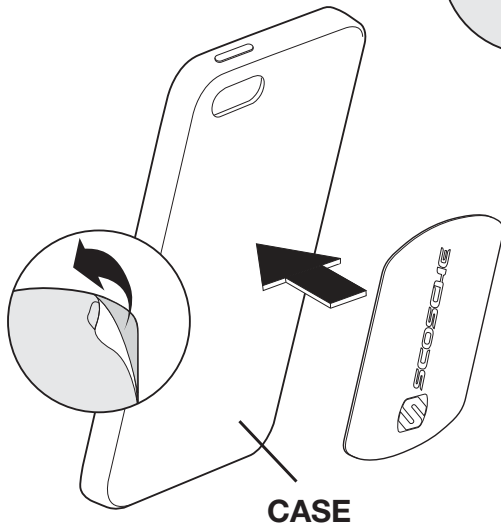
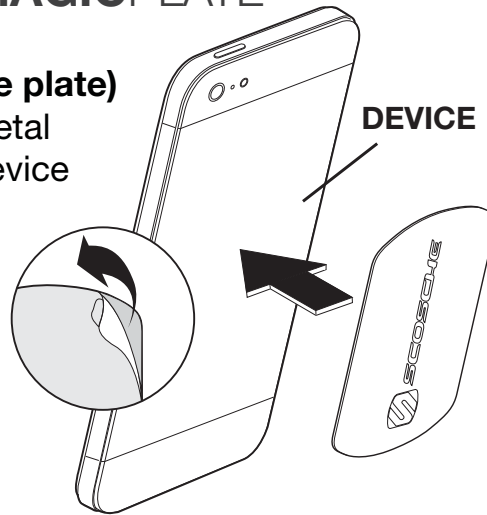
**WARNING:** Do not use the magnetic mount with any hard-drive based devices such as iPod classic, iPod video and Zune MP3 players.



# MOUNTING THE MAGICPLATE™

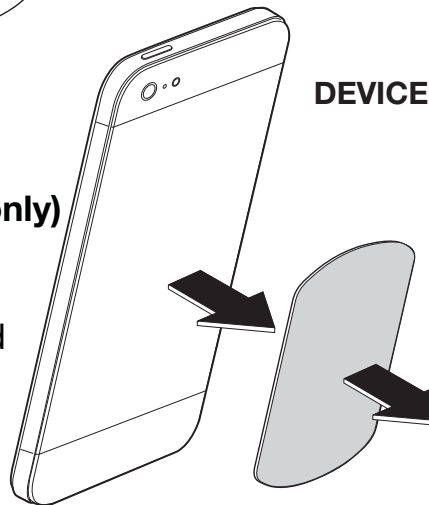
## OPTION 1 (small or large plate)

Attach adhesive side of metal plate directly to back of device



## OPTION 2 (small or large plate)

Attach adhesive side of metal plate directly to back of case

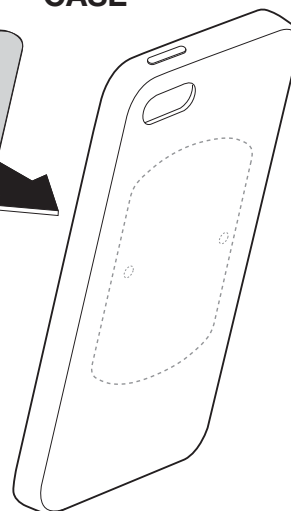


## OPTION 3 (large plate only)

Attach adhesive side of metal plate to interior of case, between device and inside of case. Plate will adhere to magnetic mount through rear panel of case.

**NOTE:** If you choose not to attach the metal plate to the device or case please leave the adhesive backing in place. Position the plate between the device and interior of case with the metal surface facing the case.

**ADHESIVE SIDE**



## MAGICPLATE™ PLACEMENT

For Typical Smartphones



For Wireless Charging Qi-enabled Smartphones

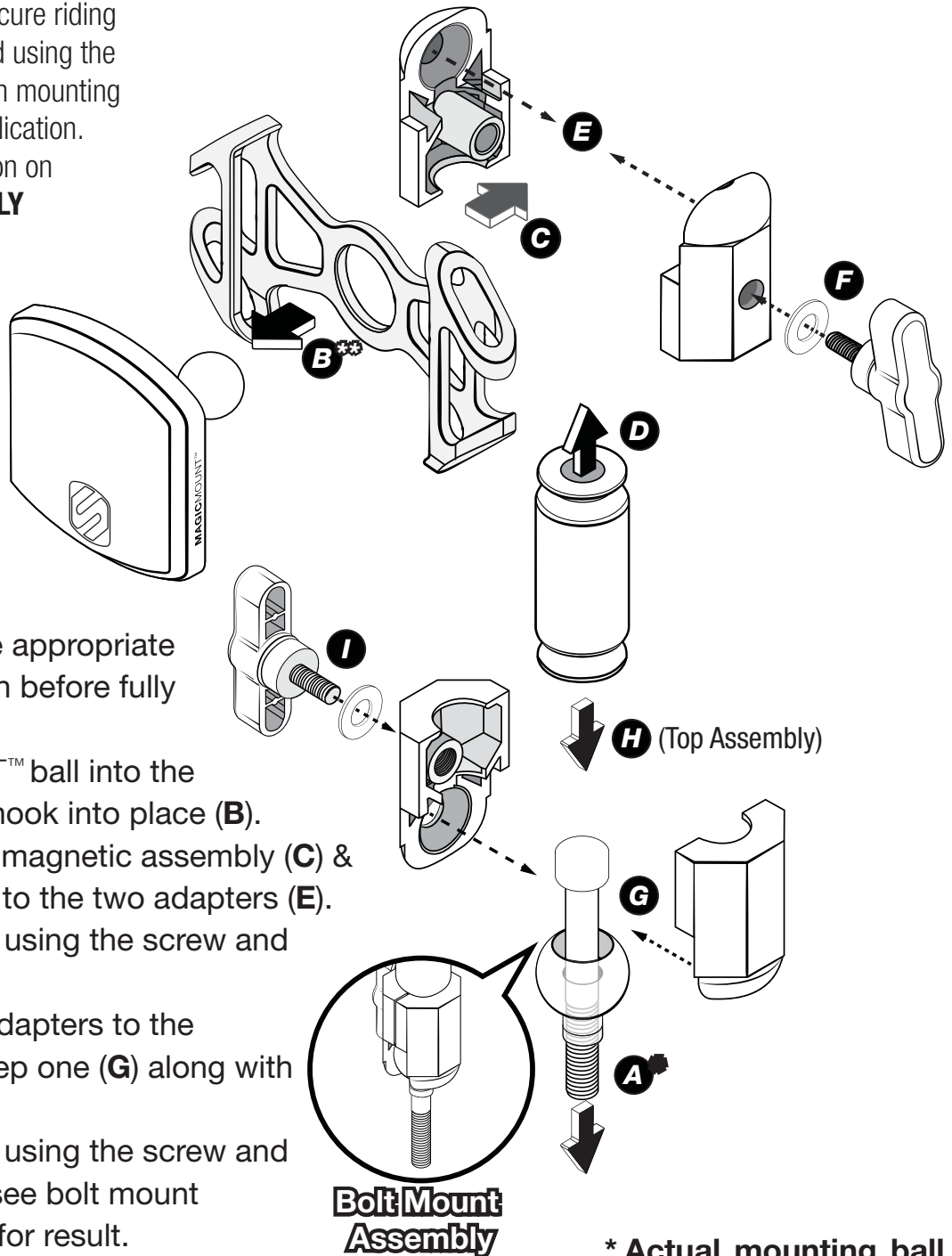


## REMOVING THE MAGICPLATE™

Use a thin plastic card to carefully lift the plate's adhesive surface from the mounting surface. Slowly lift up and remove the plate.

# ASSEMBLY

**\*\* NOTE:** For a stable and secure riding experience we recommend using the provided elastic band when mounting the device to a mobile application. Use Non-elastic band option on stationary applications **ONLY**



## Instructions

1. Select and mount the appropriate size bolt onto location before fully assembling (**A\***).
2. Insert **MAGICMOUNT™** ball into the elastic center ring & hook into place (**B**).
3. Mount the ball of the magnetic assembly (**C**) & the bar extension (**D**) to the two adapters (**E**).
4. Secure the assembly using the screw and washer provided (**F**).
5. Align the two lower adapters to the mounted ball from step one (**G**) along with the top assembly (**H**).
6. Secure the assembly using the screw and washer provided (**I**), see bolt mount assembly illustration for result.

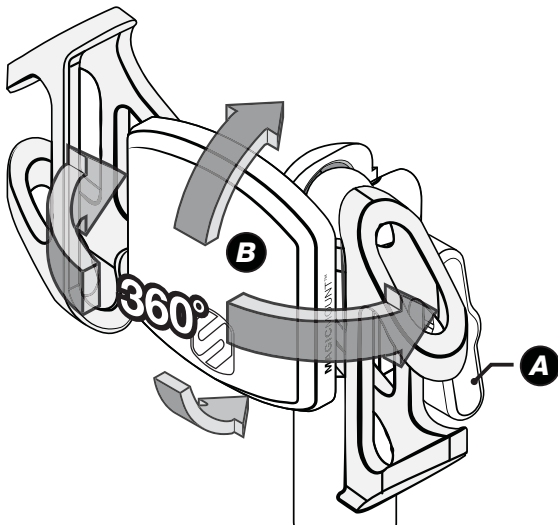
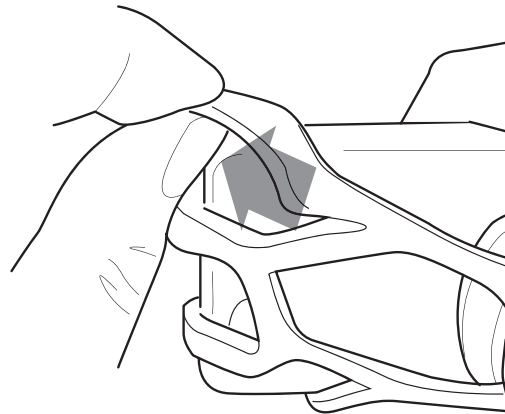
\* Actual mounting ball joint not transparent

# SET-UP GUIDE

## Elastic Band

With the metal plate positioned onto the device, align the elastic band with your device and attach to the corners of your device as shown (A). The elastic band will secure your device while riding.

**NOTE:** Elastic band can be attached horizontally or vertically



## MAGICMOUNT™ Adjustment

Loosen knob (A) to reposition the angle (B) of the magnetic mount head. Once the position is set, tighten the knob (A) to secure the positioning angle of the bar extension.

**NOTE:** When loosened the angle of the bar is capable of 360° rotation for positioning.

## Bolt Mount Adjustment

Loosen knob (C) to reposition the angle (D) of the bolt mount and bar extension. Once the position is set, tighten the knob (C) to secure the positioning angle of the bar extension.

**NOTE:** When loosened the angle of the bar is capable of 360° rotation for positioning.

