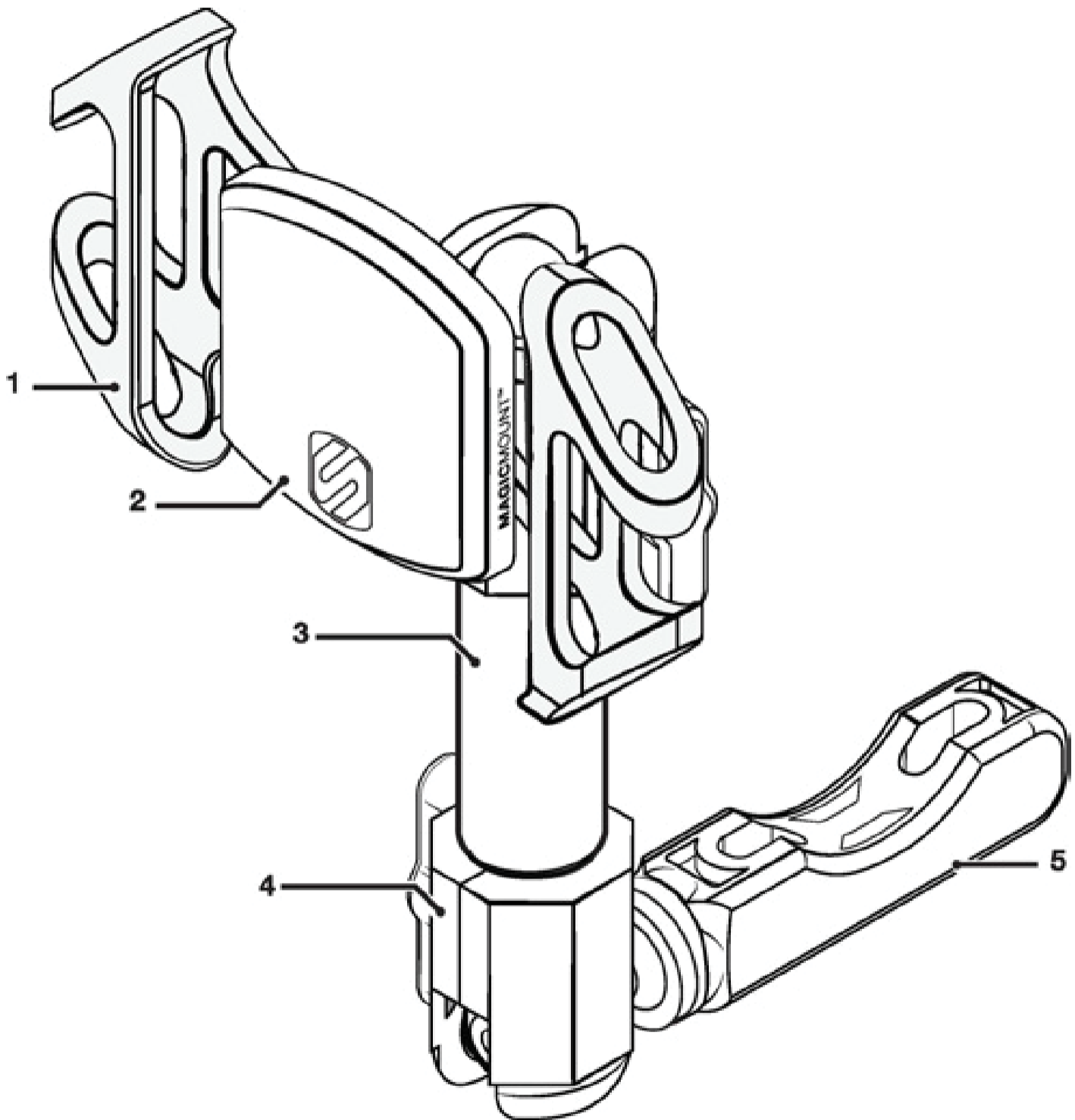


TerraClamp[™]

MAGICMOUNT[™] Brake /Clutch



PARTS INCLUDED

- | | |
|---|---|
| 1. (1) Elastic Band | 5. (1) Clutch/Brake Mount w/ ball Joint |
| 2. (1) MAGIC MOUNT [™] w/ Mounting Plates | 6. (4) Screws (Not Shown) |
| 3. (1) 1.5" Extension Bar | 7. (2) Lock Washers (Not Shown) |
| 4. (2) Adjustment Knobs w/ Washers | 8. (2) Spacers (Not Shown) |

MOUNTING THE MAGICPLATE™

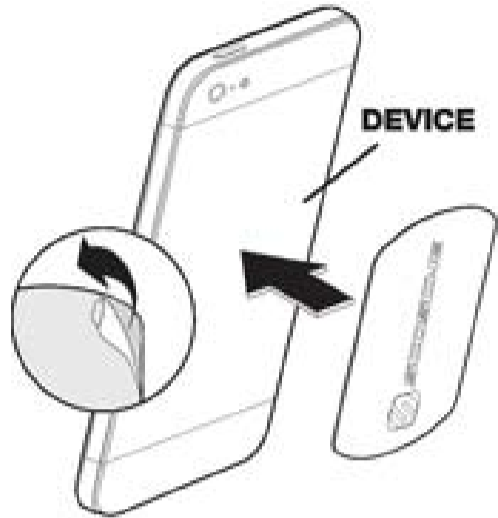
OPTION 1 (small or large plate)

Attach adhesive side of metal plate directly to back of device



OPTION 2 (small or large plate)

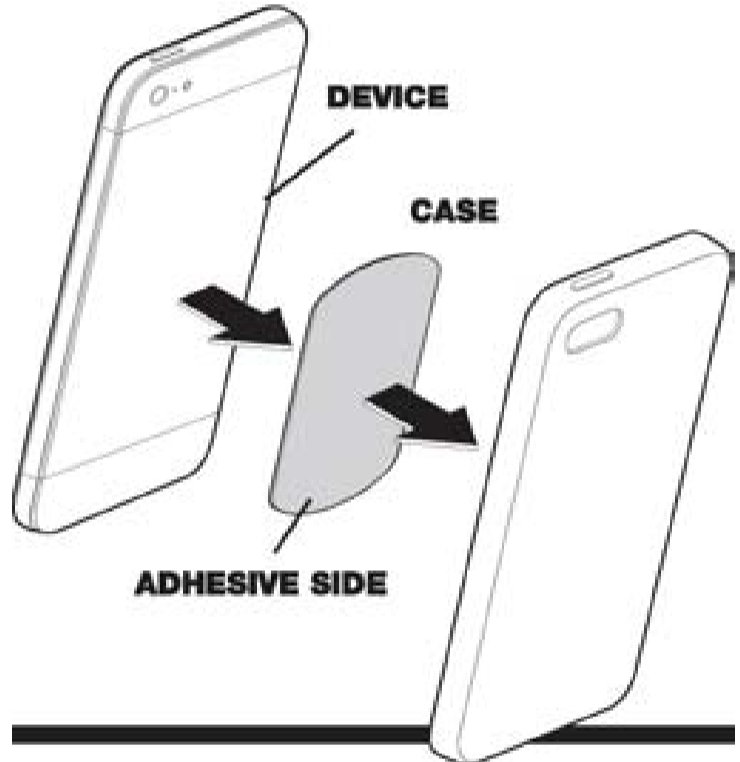
Attach adhesive side of metal plate directly to back of case



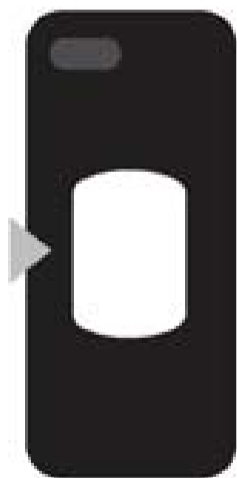
OPTION 3 (large plate only)

Attach adhesive side of metal plate to interior of case, between device and inside of case. Plate will adhere to magnetic mount through rear panel of case.

NOTE: If you choose not to attach the metal plate to the device or case please leave the adhesive backing in place. Position the plate between the device and interior of case with the metal surface facing the case.



MAGICPLATE™ PLACEMENT



For Typical Smartphones



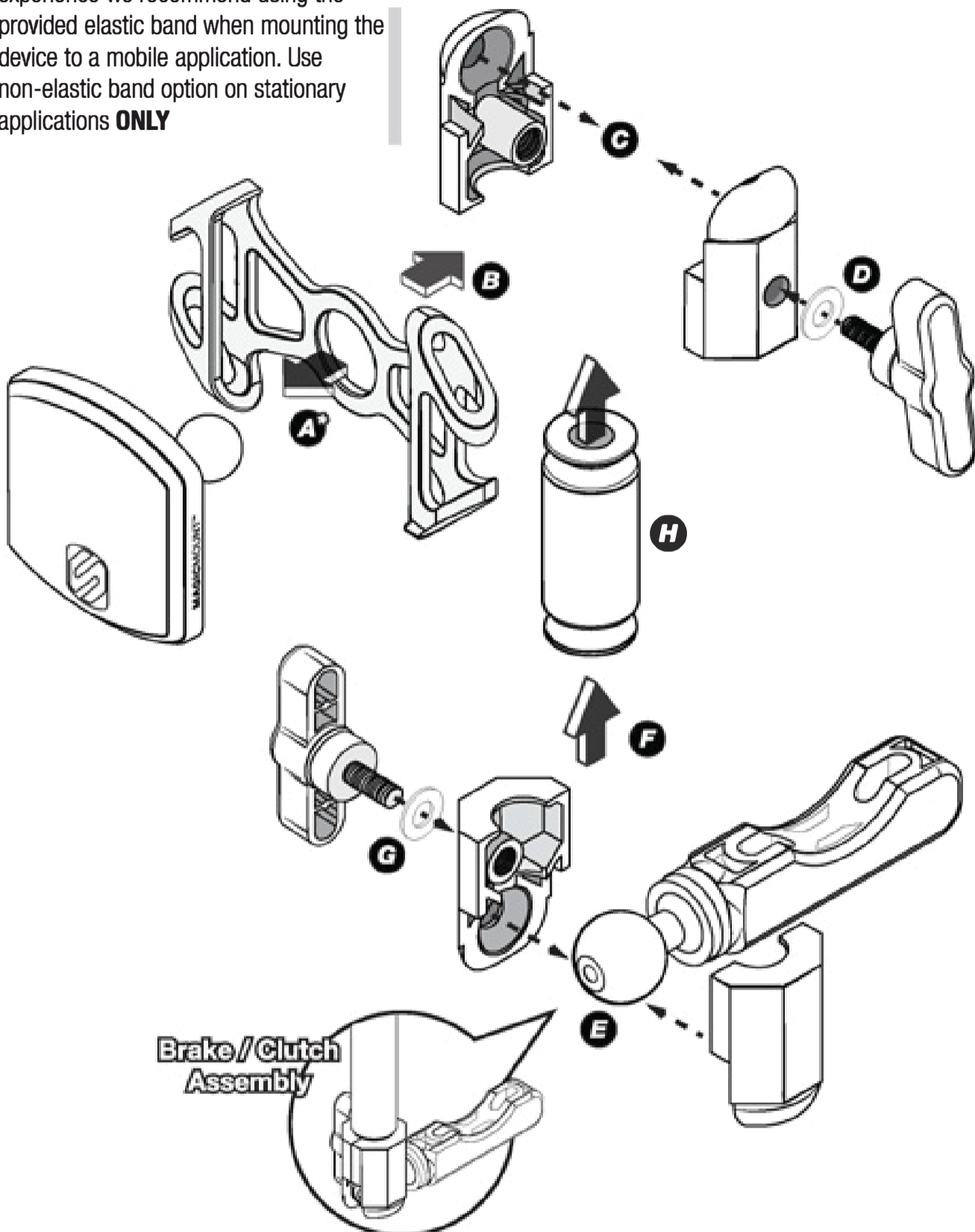
For Wireless Charging Qi-enabled Smartphones

REMOVING THE MAGICPLATE™

Use a thin plastic card to carefully lift the plate's adhesive surface from the mounting surface. Slowly lift up and remove the plate.

ASSEMBLY

* **NOTE:** For a stable and secure riding experience we recommend using the provided elastic band when mounting the device to a mobile application. Use non-elastic band option on stationary applications **ONLY**



INSTRUCTIONS

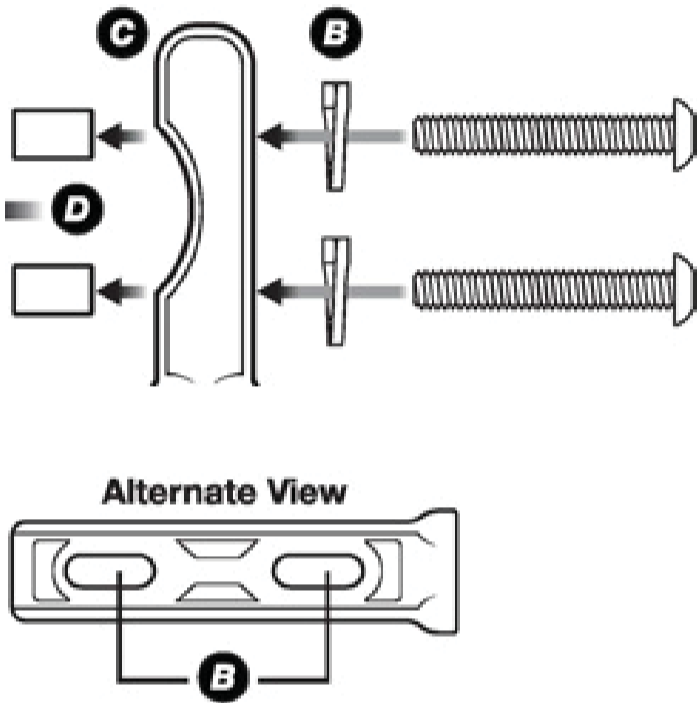
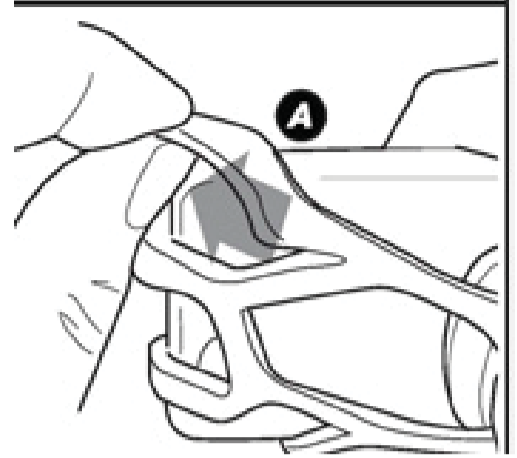
1. Select mounting location and mount the brake/clutch to desired area.
2. Install **MAGICMOUNT™** ball into the elastic center ring and hook into place (**A***)
3. Mount **MAGICMOUNT™** assembly (**B**) along with the two mounting adapters (**C**) to the extension bar (**H**)
4. Tighten the assembly to extension bar (**H**) using one of tightening knobs provided (**D**).
5. Mount the brake/clutch ball joint to the mounting adapters (**E**).
6. Tighten the clutch/brake assembly to the extension bar (**F**) using the knob tightener provided (**G**), see brake/clutch assembly above for potential final look.

SET-UP GUIDE

Elastic Band

With the metal plate positioned onto the device, align the elastic band with your device and attach to the corners of your device as shown (A). The elastic band will secure your device while riding.

NOTE: Elastic band can be attached horizontally or vertically



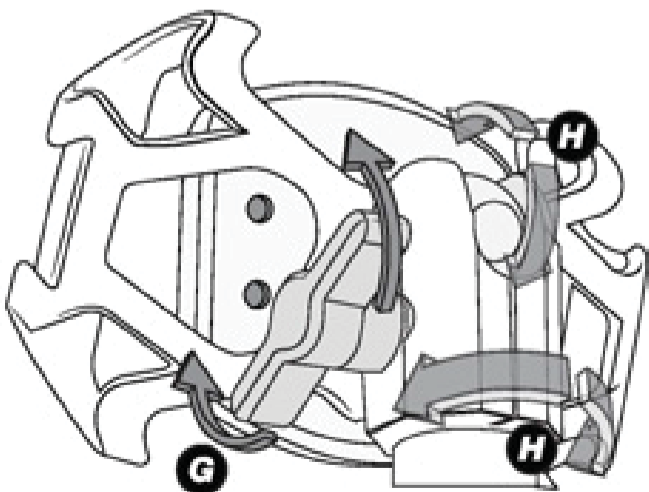
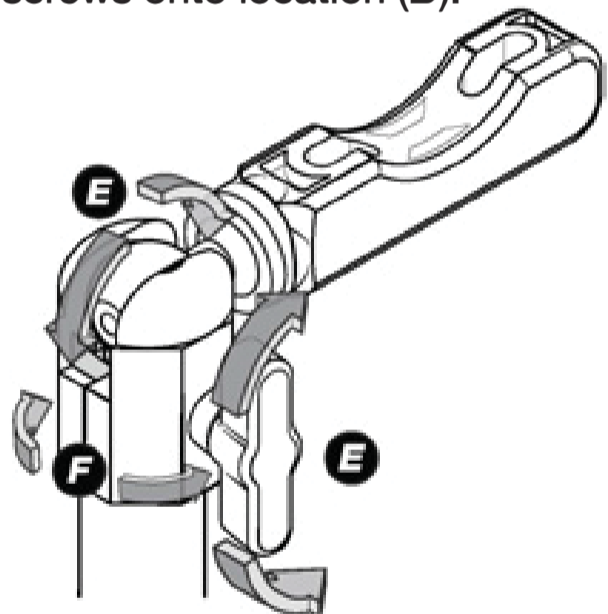
Mounting Brake/Clutch

Locate brake/clutch screw heads on the handlebar (could be disguised under trim for some motorcycles). Second, remove a screw and select the appropriate size screw set provided. Third, insert screws through washer the slotted areas on the mount (B), then through the provided spacers (C). Fourth, carefully remove the second screw from the brake/clutch and retain hardware for future use. Lastly mount the assembly and secure screws onto location (D).

Clutch/Brake Angle Adjustment

Loosen knob (E) to reposition the angle (F) of the clutch/brake mount. Once the position is set, tighten the knob (E) to secure the positioning angle of the bar extension.

NOTE: When loosened the angle of the bar is capable of 360° rotation for positioning.



MAGICMOUNT™ Adjustment

Loosen knob (G) to reposition the angle of the **MAGICMOUNT™** 360° (H). Once the position is set, tighten the knob (G) to secure the positioning **MAGICMOUNT™**.

NOTE: When loosened the angle of the **MAGICMOUNT™** is capable of 360° rotation for positioning.