

Features

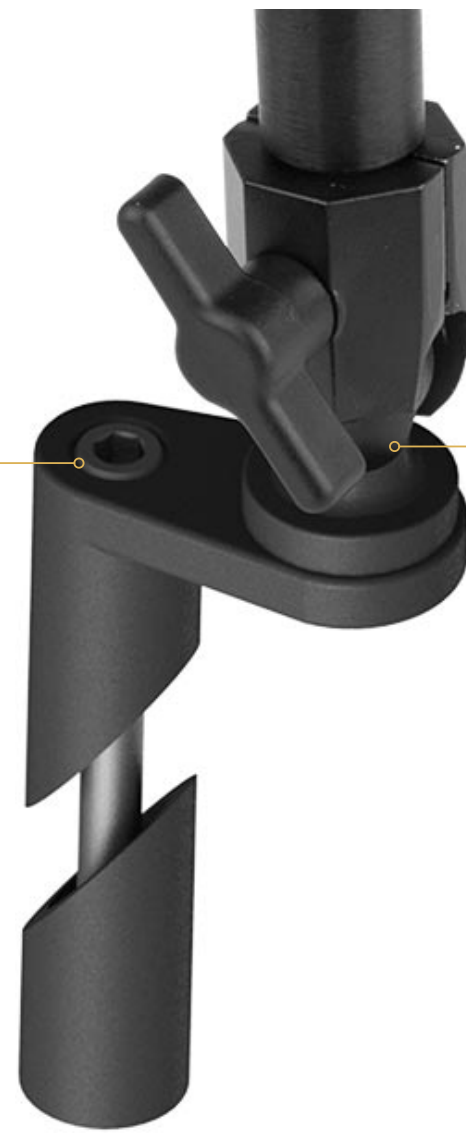
Scosche Ambassador Carl Jocumsen Using the TerraClamp™


"Check out the best phone mount system ever made! The Magic Mount from Scosche has been the best addition to the boat, truck and camper!"

- Carl Jocumsen




Stainless Steel
Mounting Hardware




Adjustable Mount
with Lock Nut



100% Safe, Powerful Rare Earth Magnets

These powerful earth magnets hold your device securely in place even on the bumpiest roads and are 100% safe for Smartphones, Tablets, GPS and other mobile devices*.

*Does not work with iPod Classic or other hard drive devices. The strong magnetic fields produced by these Neodymium magnets is enough to damage hard drive devices.

Extra Sense of Security Included

The Scosche PSM11011 motorcycle/SXS/UTV/ATV phone mount elastic band firmly secures your phone even on rough terrain.



MAGICPLATE™ Placement Options

MAGICPLATE™, non-magnetic, adhesive-backed, metal plates, are an integral component of the MagicMount™ Magnetic Mount System for mobile devices. Just apply the Scosche replacement plates as shown to the right and you are ready to use any one of the many MagicMount products available in this growing family of magnetic mounts. MagicPlates come in a variety of sizes and shapes depending upon which MagicMount you buy and replacement kits are also available.

There are several ways to apply the Scosche replacement plates to your device.

- Directly to the back of the case
- Directly to the mobile device
- Between the device and case - either with or without using the adhesive

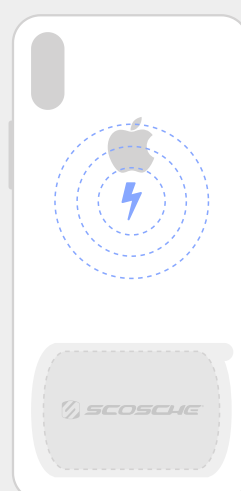


INSTRUCTIONS FOR APPLYING THE MAGICPLATE THAT CAME WITH YOUR MAGICMOUNT™

Wireless Charging Devices

It is important to mount the MagicPlate in the proper location to avoid interfering with wireless charging functionality. We have created a MagicPlate Template Guide to assist wireless phone users who plan to use their device with our MagicMount Charge products or other Scosche wireless chargers.

* The MagicMount is not recommend with use of a wallet case.



Protect your device when directly applying MagicPlate to your device

MagicMounts come with a protective plastic film sticker in the box. This film should ALWAYS be used when you are applying the MagicPlate directly to your mobile device using the adhesive based MagicPlate. Doing this will aid in the ease of removal of the MagicPlate should you wish to do that in the future. We have created a short video to show you how to properly apply the plastic film followed by the MagicPlate.

