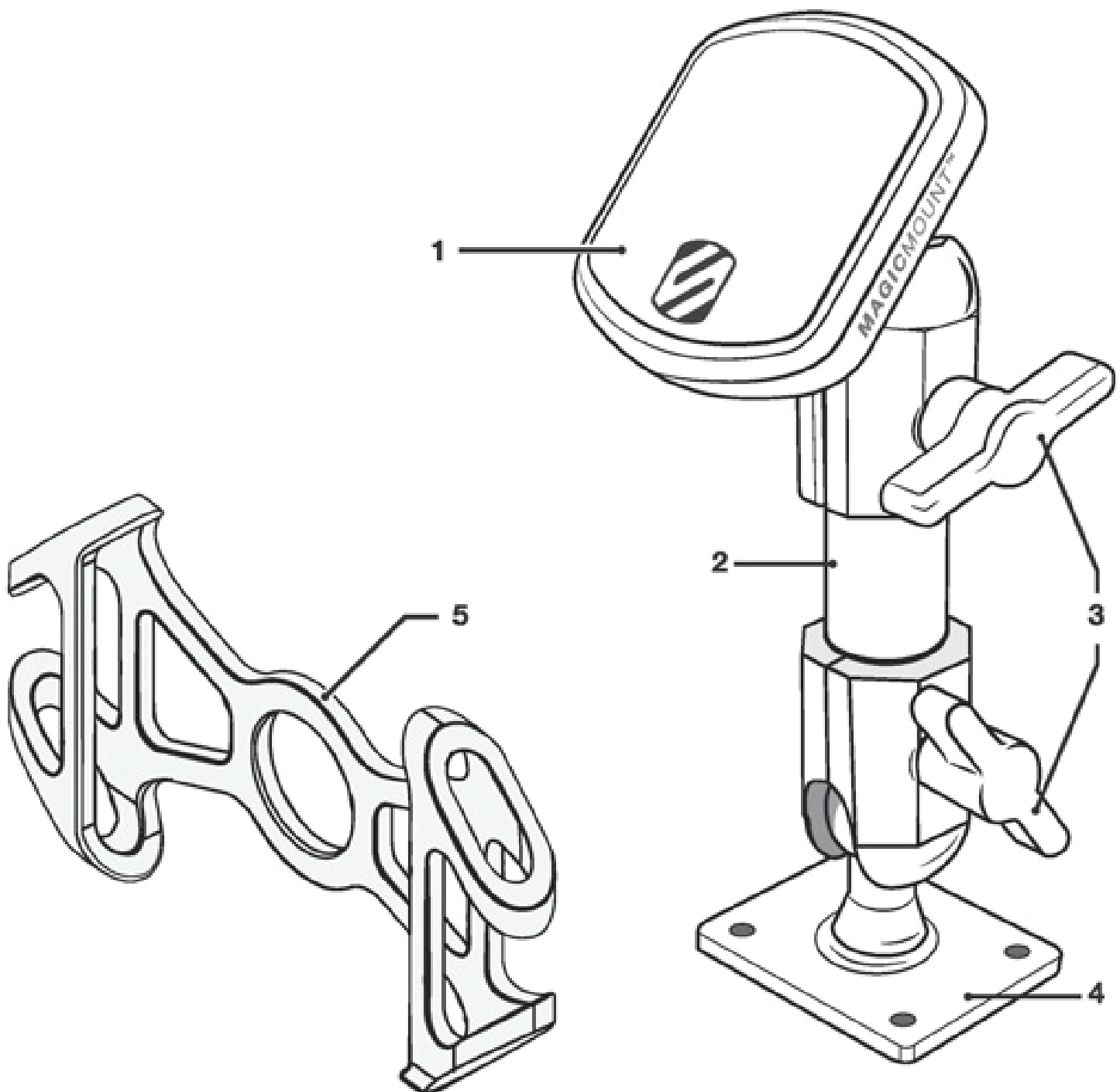


TerraClamp<sup>™</sup>  
**MAGICMOUNT<sup>™</sup> PRO**

**PARTS INCLUDED**

1. (1) **MAGICMOUNT<sup>™</sup>** w/ Mounting Plates
2. (1) 1.5" Extension Bar
3. (2) Adjustment Knobs w/ Washers
4. (2) Base (mounting screws sold separately)
5. (1) Elastic Band



# MOUNTING THE MAGICPLATE™

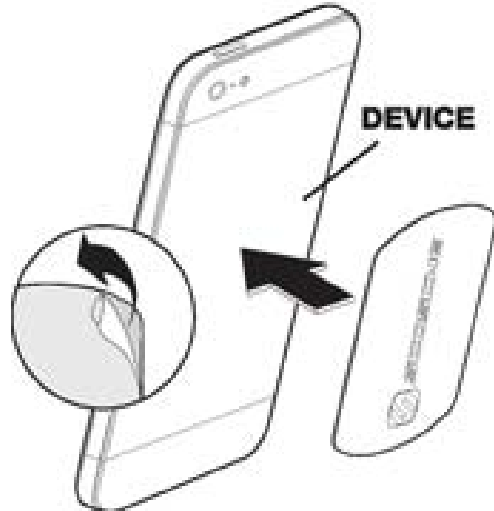
## OPTION 1 (small or large plate)

Attach adhesive side of metal plate directly to back of device



## OPTION 2 (small or large plate)

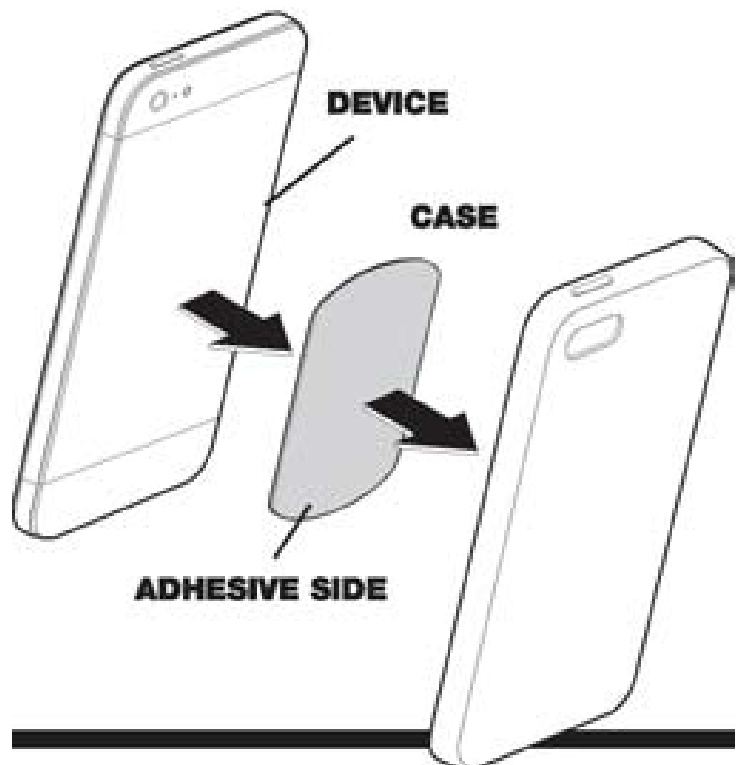
Attach adhesive side of metal plate directly to back of case



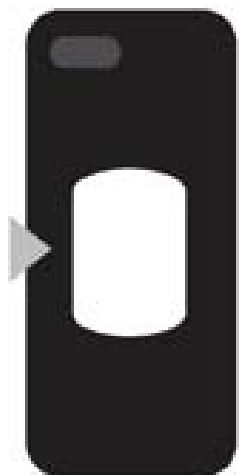
## OPTION 3 (large plate only)

Attach adhesive side of metal plate to interior of case, between device and inside of case. Plate will adhere to magnetic mount through rear panel of case.

**NOTE:** If you choose not to attach the metal plate to the device or case please leave the adhesive backing in place. Position the plate between the device and interior of case with the metal surface facing the case.



## MAGICPLATE™ PLACEMENT



For Typical Smartphones



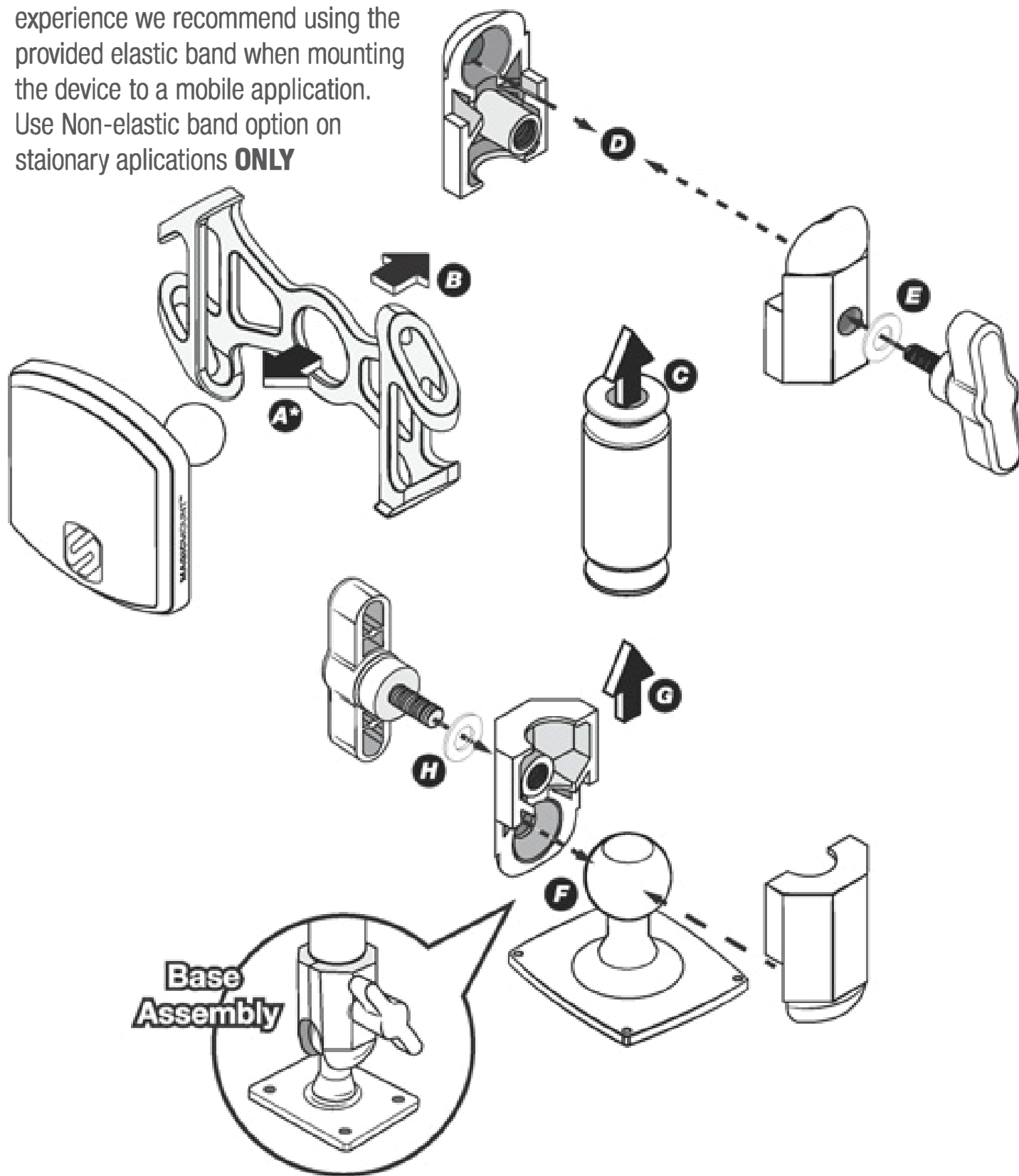
For Wireless Charging  
Qi-enabled Smartphones

## REMOVING THE MAGICPLATE™

Use a thin plastic card to carefully lift the plate's adhesive surface from the mounting surface. Slowly lift up and remove the plate.

# ASSEMBLY

\* **NOTE:** For a stable and secure riding experience we recommend using the provided elastic band when mounting the device to a mobile application. Use Non-elastic band option on stationary applications **ONLY**



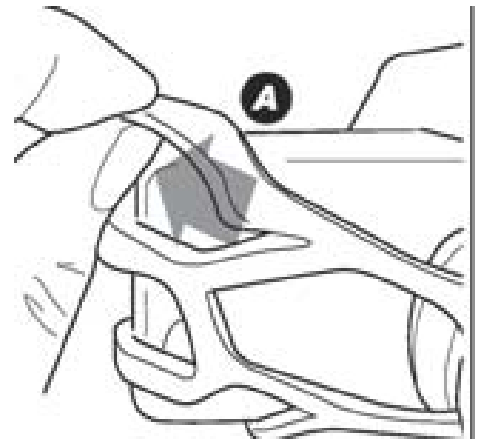
## INSTRUCTIONS

1. Select mounting location and mount base to the desired area (screws NOT provided)
2. Insert **MAGICMOUNT™** ball into the elastic center ring and hook into place (**A\***)
3. Mount **MAGICMOUNT™** assembly (**B**) along with the bar extension (**C**) to the two mounting adapters (**D**).
4. Tighten assembly with a screw tightening knob provided (**E**).
5. Place the base pivot joint (**F**) into the second pair of mounting adapters (**F**) along with the bar extension (**G**).
6. Tighten the assembly using the second knob tightener provided (**H**).

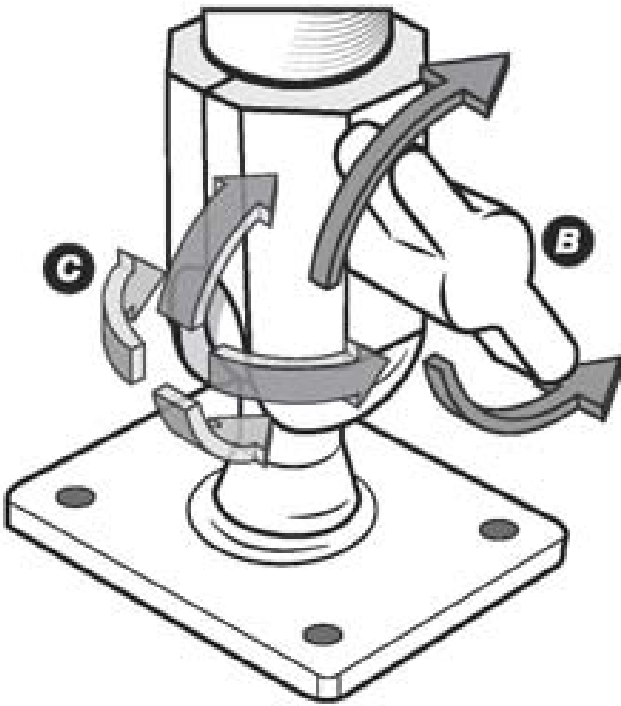
# SET-UP GUIDE

## Elastic Band

With the metal plate positioned onto the device, align the elastic band with your device and attach to the corners of your device as shown (A). The elastic band will secure your device while riding.



**NOTE:** Elastic band can be attached horizontally or vertically



## Base Angle Adjustment

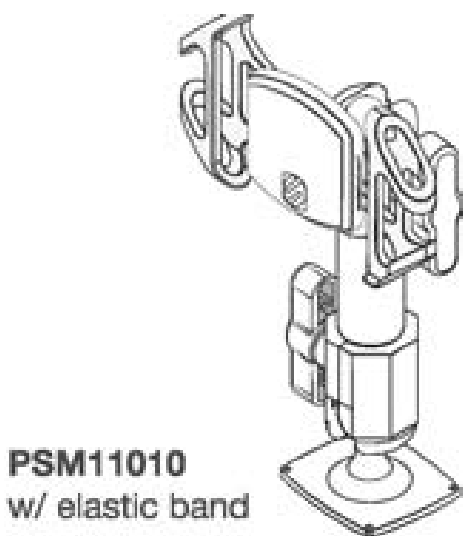
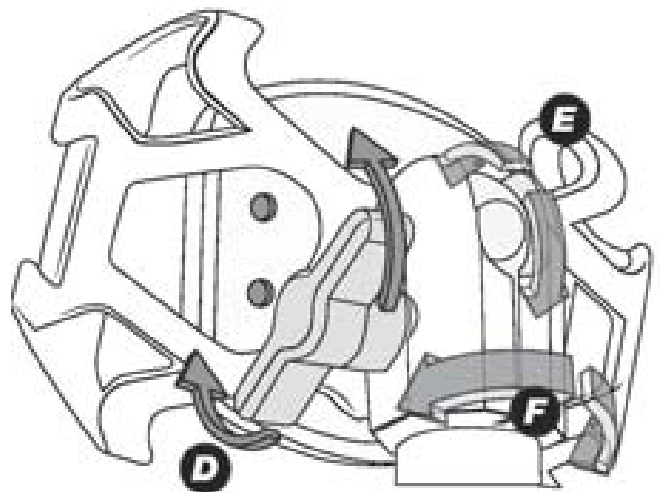
Loosen knob (B) to reposition the angle (C) of the base and bar extension. Once the position is set, tighten the knob (B) to secure the positioning angle of the bar extension.

**NOTE:** When loosened the angle of the bar is capable of 360° rotation for positioning.

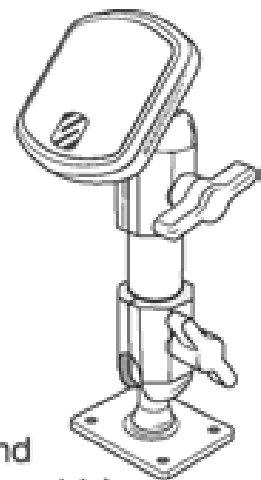
## MAGICMOUNT™ Adjustment

Loosen knob (D) to reposition the angle of the **MAGICMOUNT™ 360°** (E, F). Once the position is set, tighten the knob (D) to secure the positioning **MAGICMOUNT™**.

**NOTE:** When loosened the angle of the **MAGICMOUNT™** is capable of 360° rotation for positioning.



**PSM11010**  
w/ elastic band



**PSM11010**  
w/out elastic band  
(See note on Assembly)