



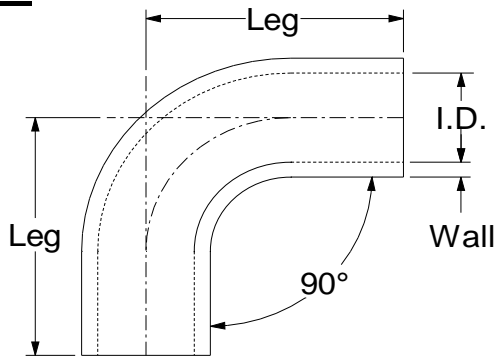
Minimum Inside Bend Radius Measurements (mm)

Bore	Hose Type				
	XFL - "Xtraflex"	SFL - "Superflex"	SHL - Standard	FSHL - Fluoro Lined	TCH - High Temp
6.5	7	11	14	17.5	17.5
8	8	12.5	17.5	25	30
9.5	9	14	25	25	30
11	11	17.5	30	30	35
12.7	15	25	35	35	45
16	17.5	28	51	51	63.5
19	22	35	63.5	63.5	76.5
22	25	41	76.5	76.5	95
25	25.5	45	140	140	160
28	40	63.5	180	180	200
30	48	76.5	200	200	220
32	60	95	225	225	300
35	62	100	350	350	450
38	88	140	500	500	700
41	100	160	700	700	800
45	180	250	1000	1000	1000
48	210	290	1200	1200	1600
51	275	330	1500	1500	2000



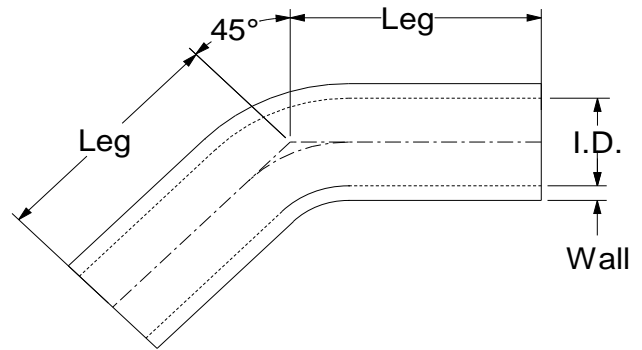
Hose Leg and Length Measurements

E90



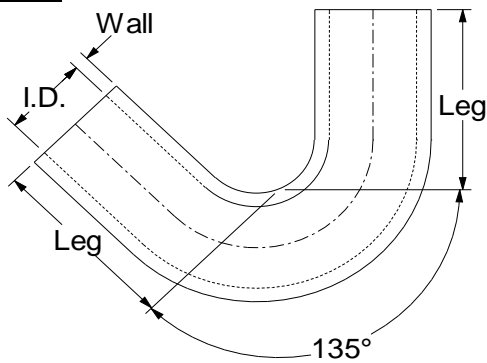
I.D.	Leg Length
0 - 12mm	63 x 63mm
13 - 57mm	102 x 102mm
58 - 100mm	127 x 127mm
101mm & above	152 x 152mm

E45



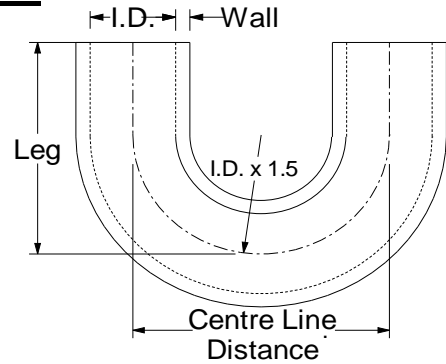
I.D.	Leg Length
0 - 12mm	63 x 63mm
13 - 57mm	102 x 102mm
58 - 100mm	127 x 127mm
101mm & above	152 x 152mm

E135



I.D.	Leg Length
0 - 12mm	63 x 63mm
13 - 57mm	102 x 102mm
58 - 100mm	127 x 127mm
101mm & above	152 x 152mm

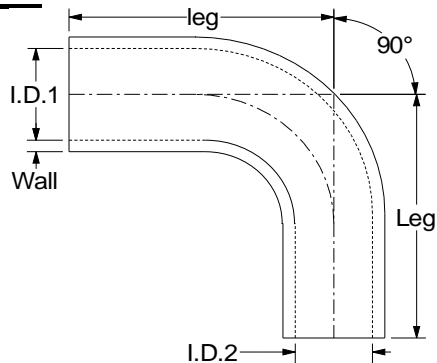
E180



I.D.	Leg Length
16 - 22mm	76mm
25 - 45mm	102mm
51 - 70mm	127mm
76mm	140mm

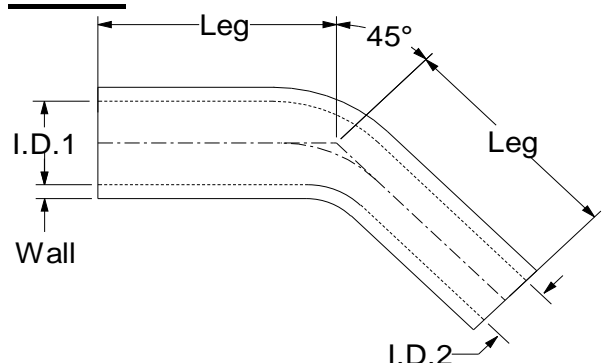
Note Centre Line Distance = I.D. x 3

RE90



I.D.	Leg Length
0 - 12mm	63 x 63mm
13 - 57mm	102 x 102mm
58 - 100mm	127 x 127mm
101mm & above	152 x 152mm

RE45

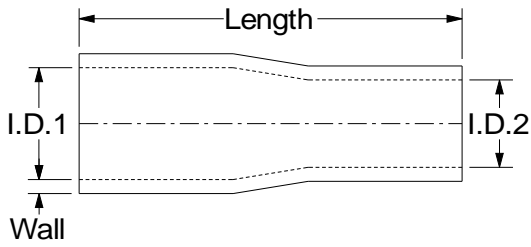


I.D.	Leg Length
0 - 12mm	63 x 63mm
13 - 57mm	102 x 102mm
58 - 100mm	127 x 127mm
101mm & above	152 x 152mm



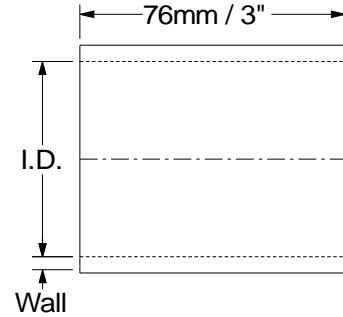
Hose Leg and Length Measurements

SR



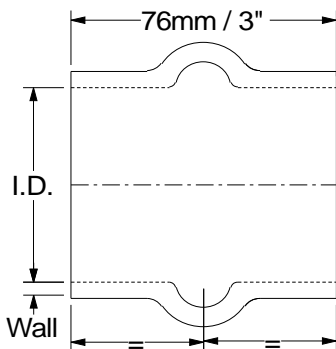
I.D.	Length
0 - 12mm	102mm
13 - 57mm	102mm
58 - 100mm	127mm
101mm & above	152mm

SCH



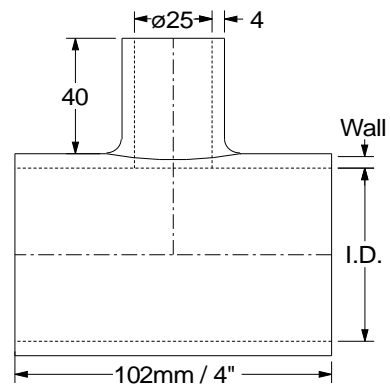
I.D.	Length
All Sizes	76mm

SHH



I.D.	Length
All Sizes	76mm

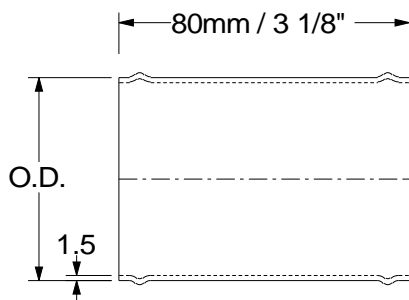
STP



I.D.	Length
All Sizes	102mm

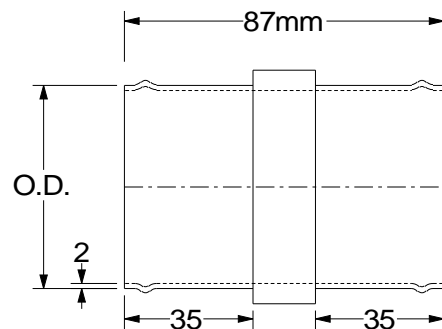
Note: Branch = 25mm I.D. x 40mm Long

AJ & CFJ



O.D.	Length
All Sizes	80mm

AJB



O.D.	Length
All Sizes	76mm