



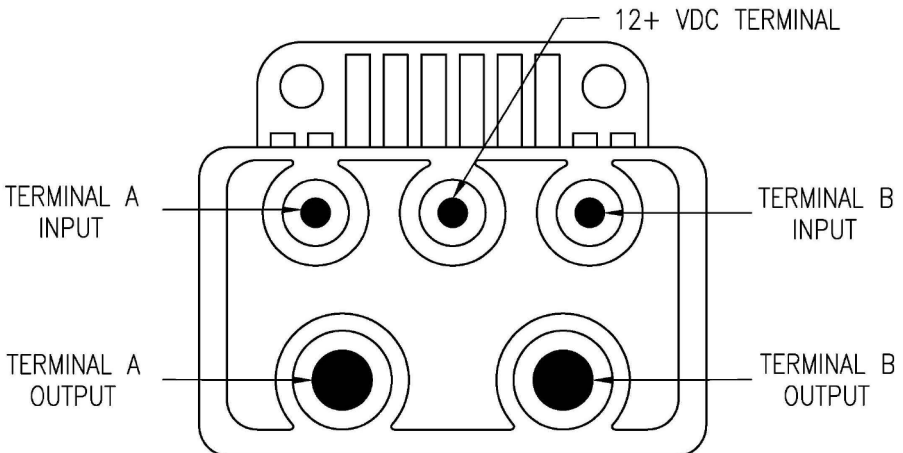
Because every industry has a leader

## Quick Reference Single-Fire Ignition Coil

Primary resistance: 3 ohm

Maximum voltage: 40,000

This single-fire ignition coil works with the S&S<sup>®</sup> Intelligent Spark Technology (IST) ignition or other single-fire ignitions on the market. The exterior is made of durable injection-molded material which houses two independent ignition coils. Primary terminals are brass studs with nuts that accept harnesses with #10 ring terminals. The high-voltage connections have sockets for the most popular style of spark plug wires available on the market. This coil fits all big twin and Harley-Davidson<sup>®</sup> Sportster<sup>®</sup> models, which have been converted to use single-fire electronic ignitions.



Learn more about motorcycle ignition system parts we have.