



# ROLAND SANDS DESIGN®

# ASSEMBLY INSTRUCTIONS



## NOSTALGIA CLUTCH ACTUATOR

6SPD

5SPD

HANDCRAFTED FINISH

BLACK OPS FINISH

CHROME

BLACK FINISH NOT SHOWN

### PRODUCT DESCRIPTION

2007-LATER TWIN CAM MODELS (6SPD) including 06 DYNA MODELS

0177-2025

1987-2006 BIG TWIN MODELS (5SPD) except 06 DYNA MODELS

0177-2032

1. Place motorcycle on a secure lift or stand, turn your motorcycle off and disconnect the battery.
2. On most models removal of the exhaust will be necessary to allow installation. Consult the HD service manual for specific instructions. Place an oil pan underneath the cable clutch actuator area and remove the existing cover.
3. Once the existing clutch actuator cover is removed, clean all gasket/mounting surfaces and wipe out all excess oil.
4. With the actuator cover removed, use a circlip pliers to remove the factory retaining ring, inner ramp and cable coupler, 3 ball bearings, and the outer ramp plate. These components will be reused.



5. Remove the threaded cable from the clutch actuator cover using a 9/16" wrench.
6. Now you are ready to install the RSD Nostalgia clutch actuator. Start by installing the threaded clutch cable into the cover using the 9/16" wrench. Make sure the o-ring is not damaged prior to installation.



7. Install factory outer ramp plate, 3 ball bearings (hint:use a dab of grease to hold them in), inner ramp and cable coupler, and circlip as shown below.





# ROLAND SANDS DESIGN

## Nostalgia Clutch Actuator

# ASSEMBLY INSTRUCTIONS

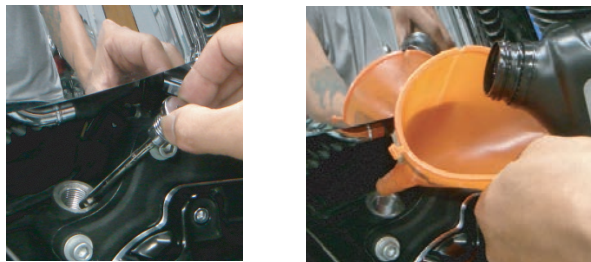
8. Install the RSD clutch actuator onto the transmission using the supplied gasket and hardware. Torque the six 1/4"-20 socket head cap screws to 100 in-lbs. Verify clutch adjustment and adjust if necessary per factory specifications. Re-install any exhaust components if necessary.



9. **5SPD MODELS ONLY:** With the bike on the side stand remove the dipstick on the clutch housing and fill with transmission fluid until fluid level is in between the 2 grooves on the RSD Nostalgia clutch actuator dip-stick.  
**DISCLAIMER: The fluid level grooves are for reference only and the technician should consult the factory service manual for specific fluid specifications and capacity.**

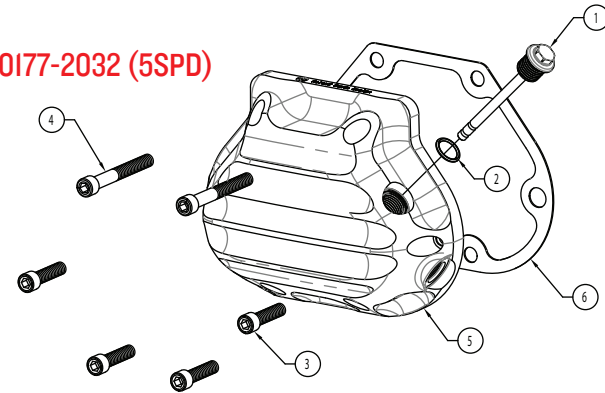


10. **6SPD MODELS ONLY:** With the bike on the side stand remove the dipstick in the transmission case and fill with transmission fluid until fluid level is at the "full" mark. Consult the factory service manual for specific fluid specifications and capacity.



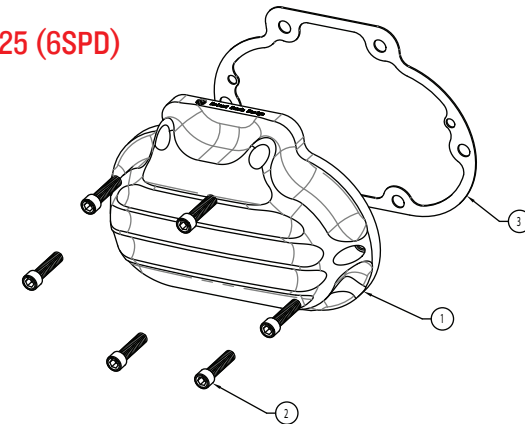
11. Hit the road!

### 0177-2032 (5SPD)



ITEM NO.	DESCRIPTION	QTY.
1	DIP STICK ASSY, 5SPD CLUTCH HOUSING	1
2	O-RING 9/16 X 7/16 X .1/16 VITON	1
3	SHCS 1/4-20 X 1 CHROME	4
4	SHCS 1/4-20 X 2, CHROME PLATE	2
5	RSD NOSTALGIA CABLE CLUTCH HOUSING, 1987-06 BIG TWIN 5 SPEED	1
6	GASKET, 5SPD CLUTCH HOUSING	1

### 0177-2025 (6SPD)



ITEM NO.	DESCRIPTION	QTY.
1	RSD NOSTALGIA CABLE CLUTCH HOUSING, 07-13 TWIN CAM 6SPD	1
2	SHCS 1/4-20 X 1 CHROME	6
3	GASKET, 6SPD CLUTCH HOUSING	1