



ROLAND SANDS DESIGN®

ASSEMBLY INSTRUCTIONS



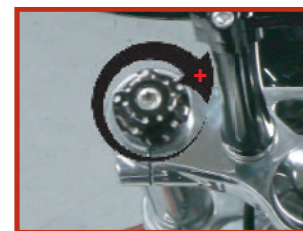
1. Turn off motorcycle and place securely on a lift or sidestand.
2. Support the motorcycle with a jack or lift so the front end is off the ground and the forks are fully extended.
3. **Warning:** The factory fork caps are preloaded by the fork springs. Remove the factory fork caps very carefully. The spring can force parts from the fork tube unexpectedly, which could result in serious injury. Consult the factory service manual for additional service instructions. Loosen the upper triple clamp bolt and using a large adjustable wrench or I-3/8 socket remove the factory fork tube cap and oring assembly.



4. With the factory fork caps removed, clean and inspect the threads. Install the RSD fork cap by compressing the fork spring and threading the fork cap clockwise using the large adjustable wrench. Thread the RSD fork cap completely into the fork tube until it bottoms out and tighten securely. **Tip:** use blue painters tape to protect the fork adjuster during installation. Before installing the RSD fork adjuster cap make sure the adjuster is at the highest position to allow easier installation. **Disclaimer:** RSD/PM is not responsible for damage caused by improper installation.



5. Adjust the RSD fork cap using a 5/16" hex wrench to the desired preload setting. Rotating the adjuster clockwise will increase fork preload from the initial setting.



6. Hit the road!

PRODUCT DESCRIPTION

88-LATER XL , 87-94 FXR, 91-05 FXD DYNA MODELS WITH 39MM FORK TUBES

0208-2061

2006-LATER DYNA FXD MODELS WITH 49MM FORK TUBES

0208-2062

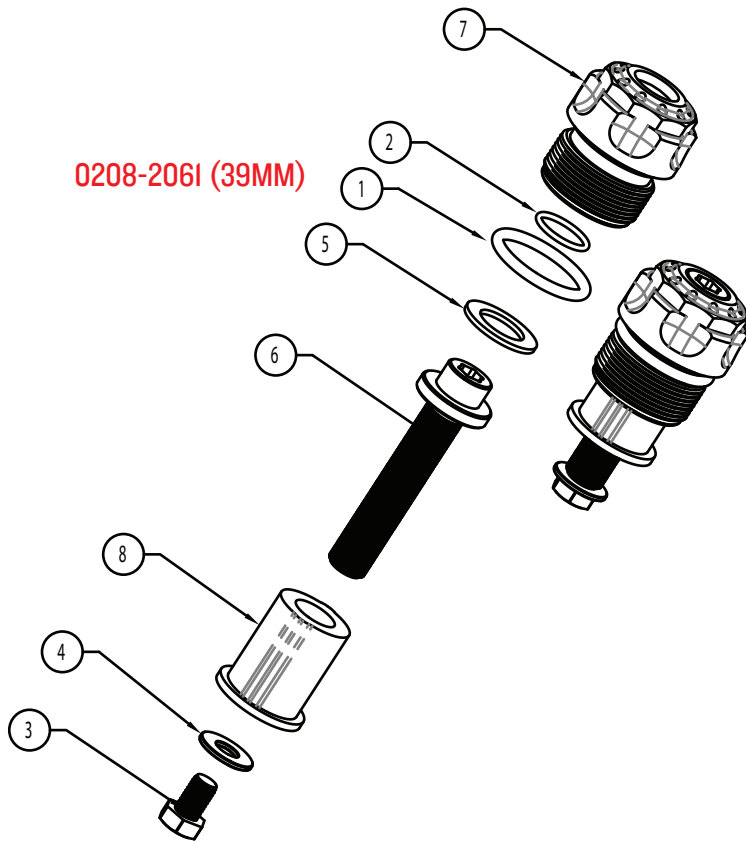


ROLAND SANDS DESIGN

MISANO ADJUSTABLE FORK CAPS

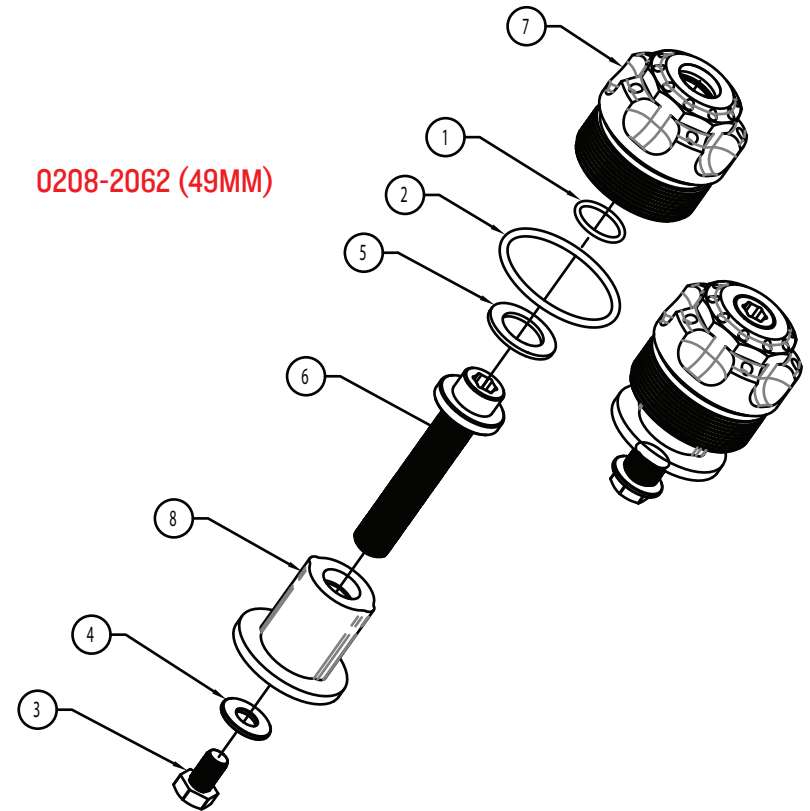
ASSEMBLY INSTRUCTIONS

0208-2061 (39MM)



ITEM NO.	PART NUMBER	DESCRIPTION	QTY.
1	0073-0060	ROUND O-RING 1-3/8 X 1-1/8 X .139	2
2	0073-0061	ROUND O-RING, .754 X .614 X .070	2
3	0104-2000	HEX HEAD CAP SCREW 5/16"-18, 1/2 LONG, STEEL	2
4	0106-2005	WASHER .317 X .739 X .06 S/S	2
5	0106-6000	BRASS WASHER, 1" X .625 X .063	2
6	0108-2007	RSD THREADED FORK ADJUSTER BOLT, SS	2
7	0208-0096	RSD 39mm OUTSIDE FORK ADJUSTER	2
8	0208-0097	RSD 39mm THREADED PUSH BUNG	2

0208-2062 (49MM)



ITEM NO.	PART NUMBER	DESCRIPTION	QTY.
1	0073-0061	ROUND O-RING, .754 X .614 X .070	2
2	0073-0062	ROUND O-RING, 1.818 X 1.612 X .103	2
3	0104-2000	HEX HEAD CAP SCREW 5/16"-18, 1/2 LONG, STEEL	2
4	0106-2005	WASHER .317 X .739 X .06 S/S	2
5	0106-6000	BRASS WASHER, 1" X .625 X .063	2
6	0108-2007	RSD THREADED FORK ADJUSTER BOLT, SS	2
7	0208-0098	RSD OUTSIDE FORK ADJUSTER 49mm	2
8	0208-0099	RSD THREADED PUSH BUNG 49mm	2