



CLARITY DERBY COVER

1. Turn your motorcycle off and disconnect the battery.
2. Place an oil pan underneath the derby cover area and remove the existing derby cover. (refer to the HD service manual if necessary).
3. Once the existing derby cover is removed clean all gasket/mounting surfaces and wipe out excess oil. **Note: Do not use any harsh chemicals during cleaning.**
4. Using supplied gasket, install the RSD Clarity Derby cover and hand tighten bolts to hold it in place.
NOTE: Upon assembly use blue 243 loctite on the 1/4" fasteners.
NOTE: Make sure the inside of the Lexan window is clean prior to installation. Clean with Plexus if necessary.
5. Torque the 1/4-20 x 5/8" bolts to 95 in-lbs using the torque patterns in Fig A or Fig B depending on the part you have purchased.
6. Reconnect the battery and check the primary oil level. Add oil if necessary per the HD service manual.
7. Go for a ride!

CAUTION:

CLARITY WINDOW IS PERMANENTLY INSTALLED AT THE FACTORY AND SHOULD NOT BE REMOVED OR SERVICED. IF REMOVAL IS NECESSARY CONTACT THE TECH DEPARTMENT FOR SPECIAL SERVICE INSTRUCTIONS. PERFORMANCE MACHINE THE MANUFACTURER IS NOT RESPONSIBLE FOR DAMAGE TO THE CLARITY WINDOW CAUSED BY IMPROPER SERVICE.

USE ONLY LEXAN APPROVED CLEANERS SUCH AS PLEXUS TO CLEAN YOUR CLARITY WINDOW. HARSH CHEMICALS MAY CAUSE DAMAGE.

NOTE: FOGGING MAY OCCUR ON THE INSIDE OF THE LEXAN WINDOWS DUE TO HUMIDITY CHANGES. IF FOGGING IS VISIBLE START THE MOTORCYCLE AND RUN UNTIL FOGGING DISAPPEARS.

FIG A
3 BOLT TORQUE SEQUENCE

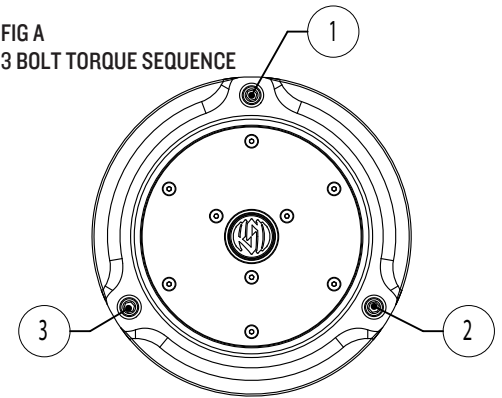
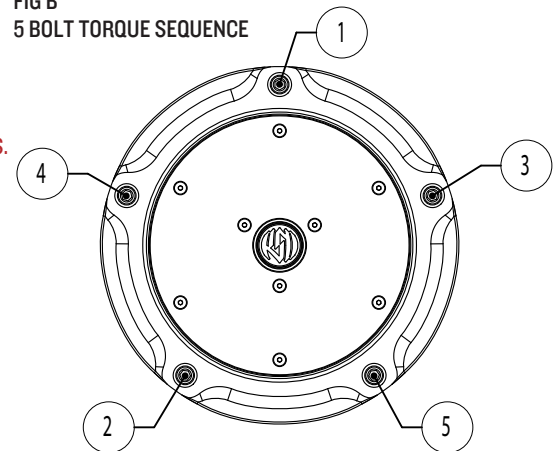


FIG B
5 BOLT TORQUE SEQUENCE



PRODUCT DESCRIPTION

1999-2012 BIG TWIN MODELS : 5 BOLT DERBY COVER

0177-2007

1970-1998 BIG TWIN MODELS : 3 BOLT DERBY COVER

0177-2006



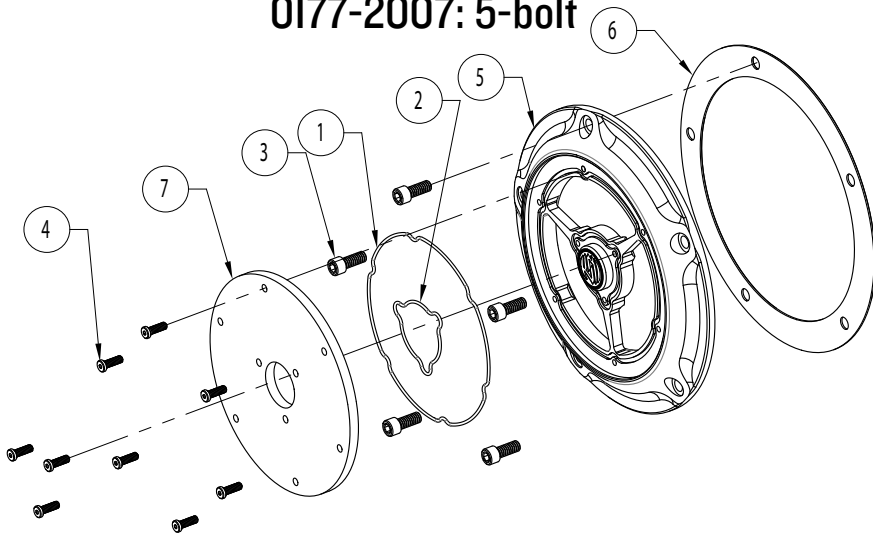
ROLAND SANDS DESIGN

Clarity Derby Covers

ASSEMBLY INSTRUCTIONS

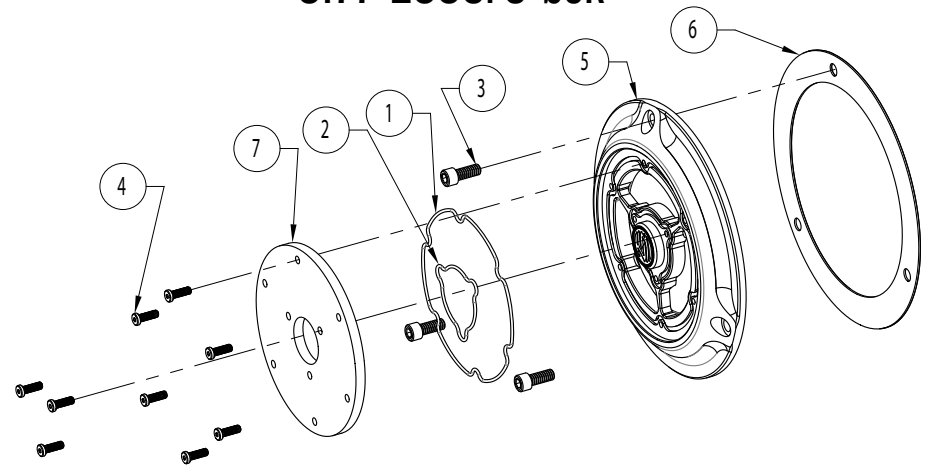
Caution:
The Clarity Windows are preinstalled at the factory and should not be removed or serviced. If removal is necessary contact the tech department for special service instructions.

0177-2007: 5-bolt



ITEM NO.	DESCRIPTION	QTY.
1	O-RING 4-1/2 ID X 4-5/8 OD X 1/16, McMaster 9464K106, VITON	1
2	O-RING 1-5/8 ID X 1-3/4 OD X 1/16, McMaster 9464K301, VITON	1
3	SHCS 1/4-20 X 5/8	5
4	SHCS LOW HEAD 8-32 X 1/2	9
5	RSD DERBY COVER CLARITY	1
6	GASKET, BIG TWIN DERBY COVER	1
7	COVER WINDOW, RSD CLARITY AIR CLEANER	1

0177-2006: 3-bolt



ITEM NO.	DESCRIPTION	QTY.
1	O-RING 4 ID X 4-1/8 OD X 1/16	1
2	O-RING 1-5/8 ID X 1-3/4 OD X 1/16, McMaster 9464K301, VITON	1
3	SHCS 1/4-20 X 5/8	3
4	SHCS LOW HEAD 8-32 X 1/2	9
5	RSD CLARITY DERBY COVER	1
6	GASKET, BIG TWIN DERBY COVER 1970 - 99	1
7	COVER WINDOW, RSD CLARITY AIR CLEANER	1