



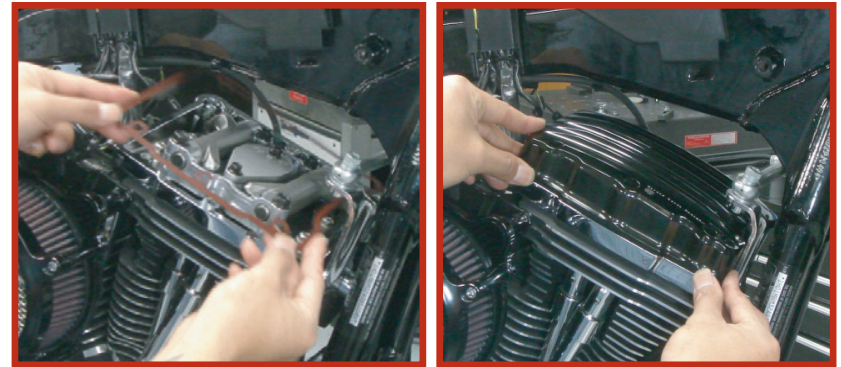
ROLAND SANDS DESIGN®

ASSEMBLY INSTRUCTIONS



RSD NOSTALGIA ROCKER BOX COVERS INSTALLATION

1. Turn your motorcycle off, place securely on a lift or side stand and disconnect the battery.
2. Remove the fuel tank. **Note:** refer to the HD service manual for additional instructions.
3. With the tank removed, remove the factory rocker box covers. Clean and inspect all sealing surfaces. **Note:** refer to the HD service manual for specific instructions.
4. Install the front rocker box cover gasket (7) and RSD rocker box (6) from the right side of the bike (exhaust side). **Disclaimer:** install slowly to avoid damage to the cover or the motorcycle.



5. Once the RSD rocker box cover is in the correct position, insert the 6 supplied 5/16 " bolts (1, 2, 3, 4) and washers (5) and torque to 15-18 ft-lbs using blue threadlocker. **Note:** Review page 2 diagram for proper bolt positions.



PRODUCT DESCRIPTION

2000-UP TWIN CAM MODELS: NOSTALGIA ROCKER BOX COVERS: CHROME & BLACK FINISHES

0177-2002

2000-UP TWIN CAM MODELS: NOSTALGIA ROCKER BOX COVERS: HANDCRAFTED & BLACK OPS FINISHES

0177-2018



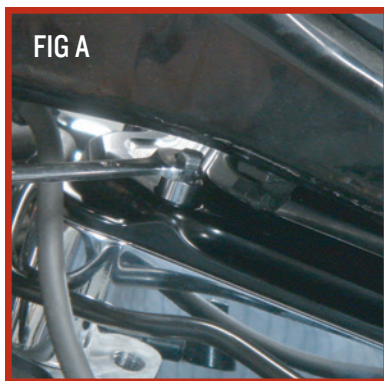
Nostalgia Rocker Box Covers

RSD NOSTALGIA ROCKER BOX COVERS INSTALLATION (continued)

6. Install the rear rocker box cover gasket (7) and RSD rocker box (6) from the right side of the bike (exhaust side). **Disclaimer:** install slowly to avoid damage to the cover or the motorcycle.

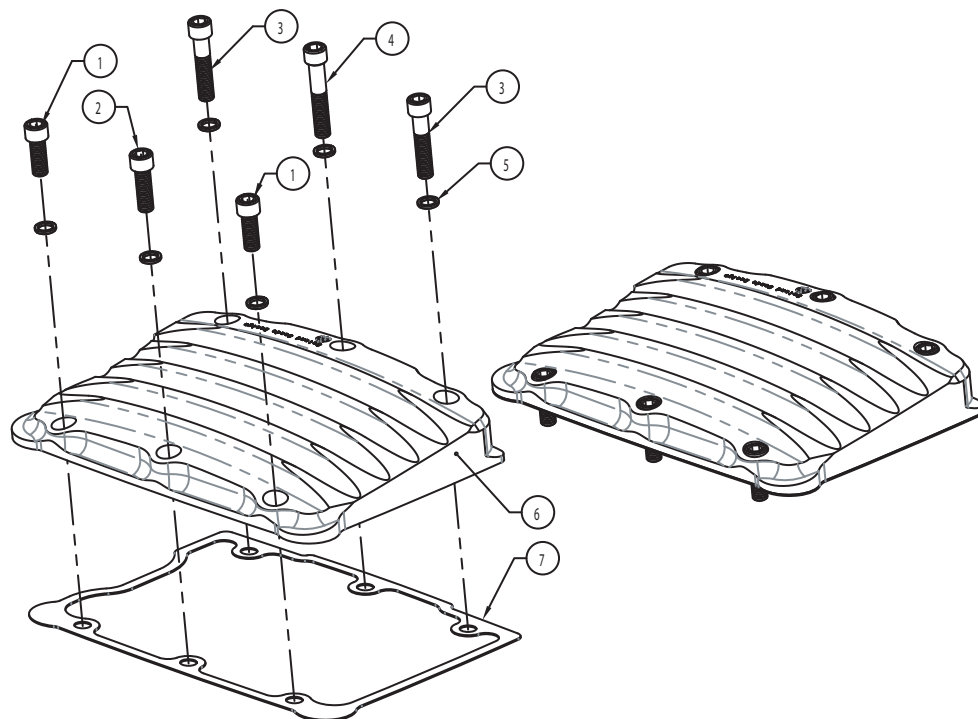


7. Once the RSD rocker box cover is in the correct position, insert the 6 supplied 5/16" bolts (1, 2, 3, 4) and washers (5) and torque to 15-18 ft-lbs using blue threadlocker. **Note:** Review the diagram to the right for proper bolt positions. **Tip:** On some models there is limited clearance on the rear cylinder so using a small hex driver and wrench will allow easier installation FIG A.



8. Install the fuel tank and any other components that have been removed.

9. Hit the road!



ITEM NO.	DESCRIPTION	QTY.
1	SHCS 5/16-18 X 7/8	4
2	SHCS 5/16-18 X 1 - CHROME	2
3	SHCS 5/16-18 X 1-1/2 CHROME	4
4	SHCS 5/16-18 X 1-3/4, CHROME	2
5	WASHER .316 X .440 X .060, STAINLESS	12
6	TWIN CAM ROCKER COVER BOX, 1999-UP	2
7	GASKET, TWIN CAM ROCKER BOX COVER 1999-UP	2