

HD Trailer Wiring Sub-Harness Installation Instructions

#HD007-13, #HD007-28 and #HD007-38

This Sub-Harness provides a plug in connection between motorcycles wire harness and 5 to 4 wire convertor or trailer wiring isolator.

Pt# HD007-13

8 pin AMP Multi lock (under seat)

Fits:

Softail: 97-10 except SE

Street Glide: 06-09

Road King: 97-13

Road Glide: 97-09

Classic, Ultra, Limited & SE: All, 97-13

Tri Glide: All

Pt# HD007-28

6 pin Molex (under left side cover)

Fits:

Street Glide: 10-13

Road Glide: 10-13

Pt# HD007-38

8 Pin Molex (under seat)

Fits:

Street Glide: SE 10-13

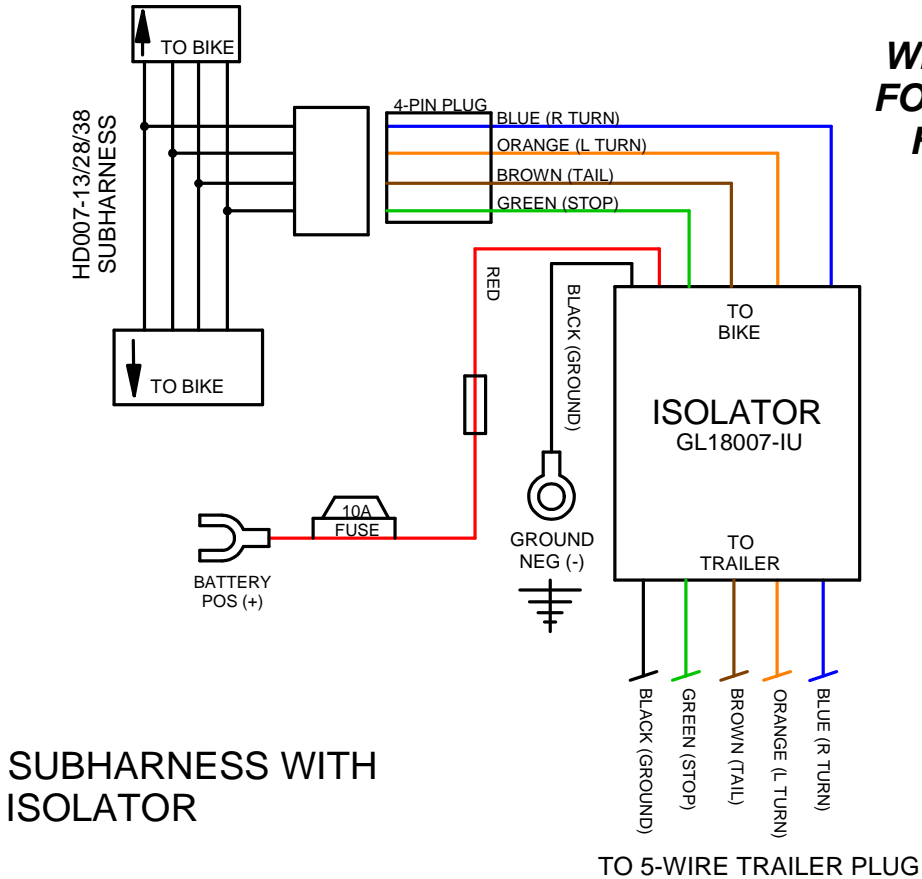
Road Glide: SE 09-13

NOTE: If your trailer has only four (4) wires you will also need to use a 5 to 4 wire converter. These are available thru RIVCO Products (**PT# EC07664**). They are also available at most auto parts stores.

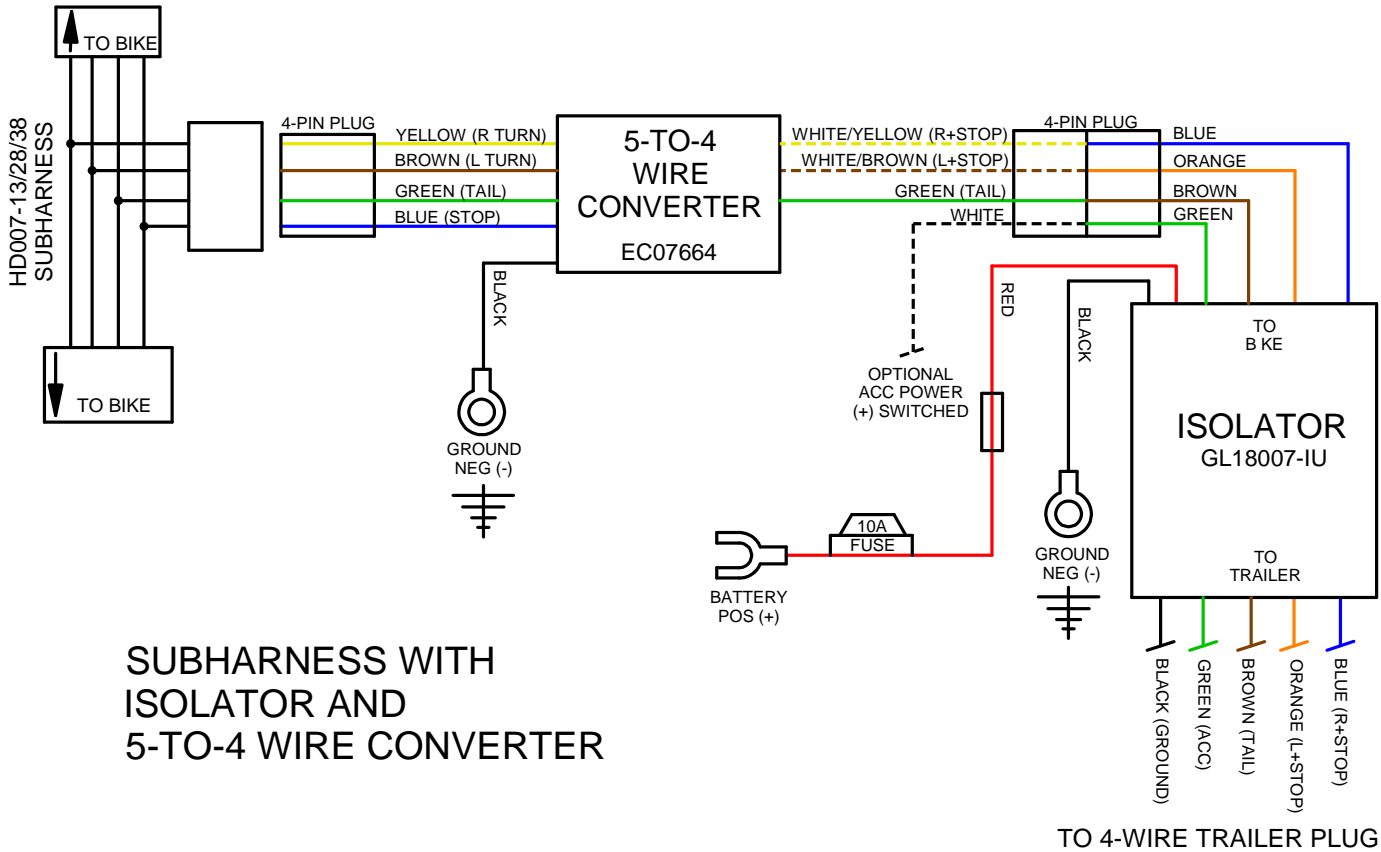
NOTE: If your trailer uses incandescent (as opposed to LED) tail light bulbs the use of a trailer wiring isolator is strongly advised as the additional load is too much for the motorcycle's wiring to support, and may cause damage to, or problems with the electrical system (as well as all tail lights not being at full intensity or brightness). An isolator will supply the required voltage and amperage directly to the trailer from the battery without putting an additional load on the tail light circuits of the motorcycle. Trailer wiring isolators are available through RIVCO Products (**PT# GL18007-IU**). If you are installing both you must first install the 5 to 4 wire converter, then the isolator and then attach to the trailer plug.

1. Remove the seat (left side cover on Street Glide and Road Glide models). Locate the main wire harness to tail light wires connector. Unplug the connector and plug in the male and female ends of the sub harness. Note on Tri Glide models there will be two plugs, so be sure to use the plug between the main wiring harness and the small black electrical box. This should be the plug furthest to the rear, located under the frame cross member, at the very rear of the seat area. On Tri Glide models if you are using the wrong plug you will notice a malfunction of the turn signals and stop lights.
2. Plug the remaining connector from the sub-harness in, referring to the instructions supplied with the above-mentioned components, and proceeding as follows: Plug in the 5 to 4 wire convertor (if required) and attach it's ground wire. Plug the Isolator into the sub-harness (or 5 to 4 convertor if installed). Connect the isolator's ground wire and positive with fuse to the battery. Connect your trailer plug to the isolator following the wiring diagram supplied with it.
3. Secure the harness using the supplied cable ties, (following the other wire looms) and then down along the hitch frame to the bottom of the rear fender with the trailer plug having enough wire to reach that of the mating plug on your trailer. Replace the seat or side cover.

**WIRING DIAGRAM
FOR SUBHARNESS
HD007-13-28-38**



**SUBHARNESS WITH
ISOLATOR**



**SUBHARNESS WITH
ISOLATOR AND
5-TO-4 WIRE CONVERTER**