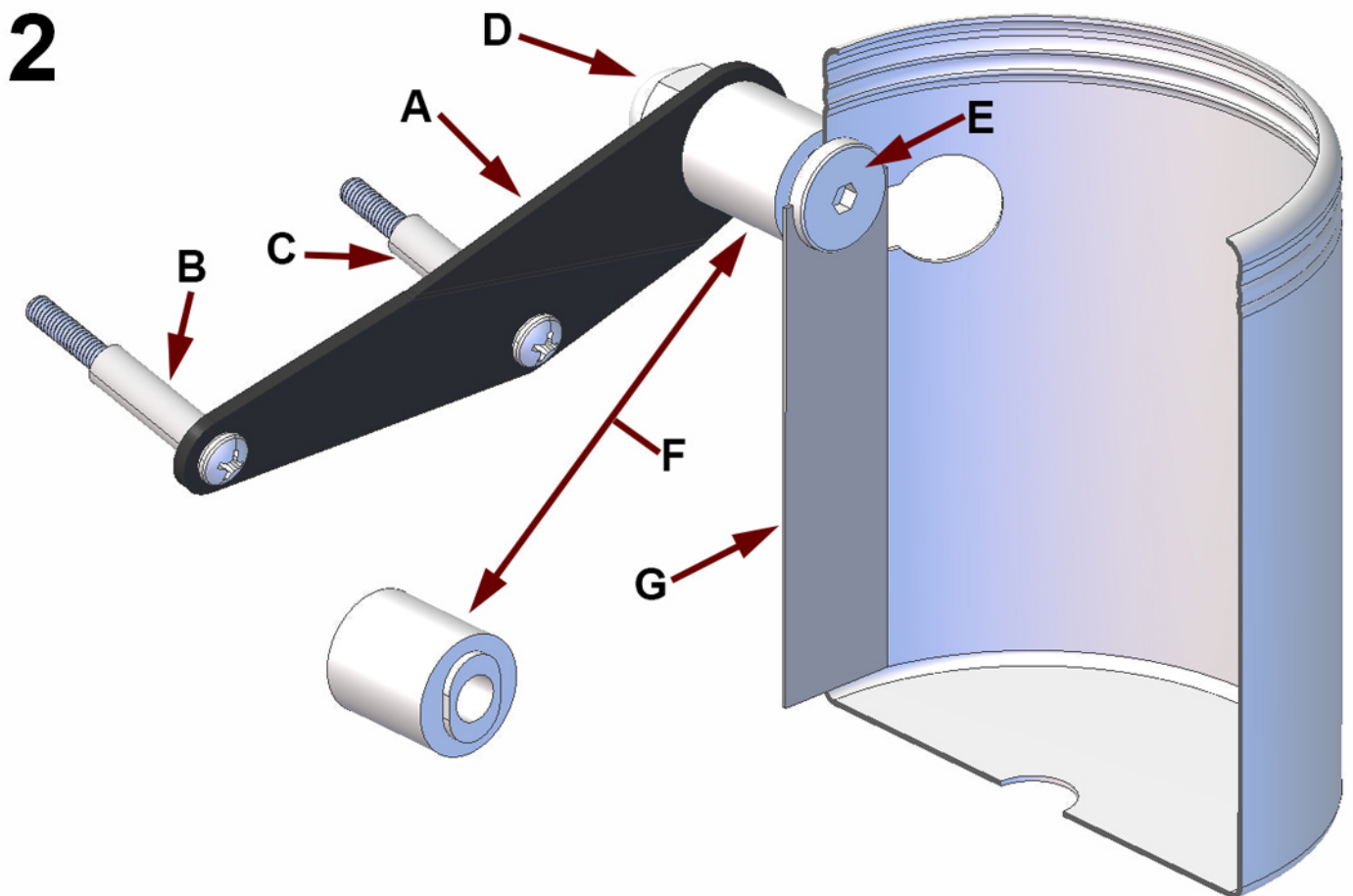
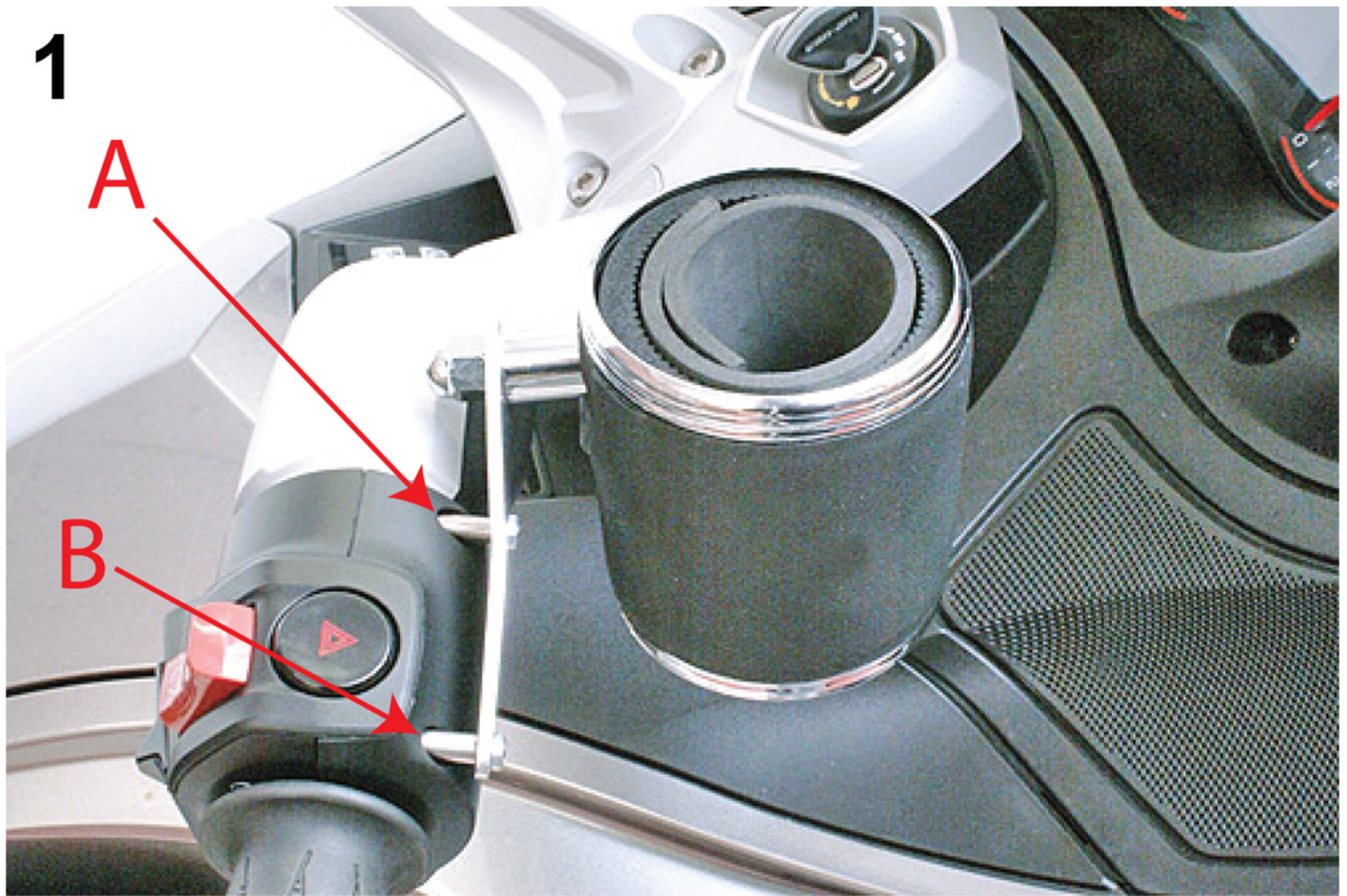


Installation Instructions for CA400C (Chrome) and CA400B (Black) Cup holders

The Cup holder will mount to the switch housing on most motorcycles on the left (pictured) or right side.

1. Remove the two original Hex Allen screws on the front of the right switch housing as shown in 1A/1B.
2. Install the bracket (2A) with spacers (2B and 2C) NOTE: 2C is the longer spacer and goes on the inside screw (1A). Place the bracket (2A) onto the switch housing with the bend in the bracket going towards the rear of the Spyder. Secure the bracket (2A) in place using the new 4mm screws supplied.
3. Remove the acorn nut (2D) from the cup holder screw (2E). Making sure the oval side of the large spacer (2F) is facing away from the rider, insert the cup holder screw (2E) through spacer (2F) then the remaining hole on the mounting bracket with the screw head facing the front of the Spyder. Re-install acorn nut (2D) on the rider side of the bracket and make finger tight for now.
4. To install the cup holder, remove the liner from the holder, then holding the cup holder at 90 degrees, Insert the head (2E) into the round opening in the cup holder and lower rotating 90 degrees at the bend. Making sure the cupholder is upright, now tighten the mounting screw (2E) and acorn nut (2D). Insert the supplied clip (2G) under the head of the screw as shown below, replace the liner. Proper use of the product requires keeping the supplied locking clip (2G) installed as shown any time the cup holder is attached to the mounting bracket (2A). The clip will prevent the cup holder from coming off the mounting bracket with a beverage inside it or while riding.
5. To remove the cup holder from the mounting bracket, first remove any container from the cup holder. Next, remove the liner from the holder and remove the locking clip (2G) from beneath the head of the screw. Slide the cup holder up the L-shaped slot until it stops. Rotate the cup holder 90-degrees and raise it until the head (2E) of the large screw can pass through the round opening of the slot.



Learn more about [other motorcycle mugs & beverage holders](#) by [Rivco](#) on our website.