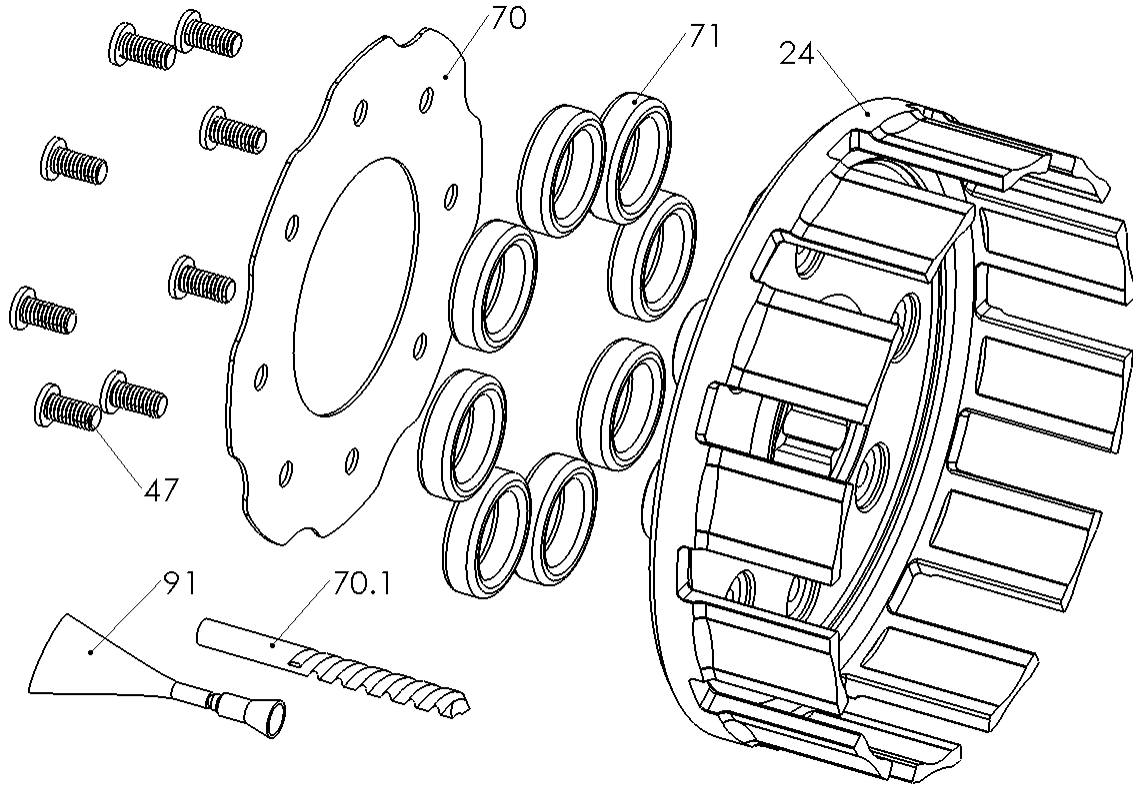


RMS-4138 - CLUTCH BASKET



Item	Part Number	Item Description	Qty
24	170-038A	CLUTCH BASKET - KT250	1
47	411-113A	FASTENER - M6 x 12 Special Low Head Soc Cap 10.9	8
70	471-006B	RETAINING PLATE - H250	1
70.1	471-114	DRILL - 1/4 SM Drill BIT	1
71	474-101	HARDWARE - 28mm Molded Basket Damper - H250	8
91	491-002	ADHESIVE - Loctite 262 (RED) .02 fl oz	1