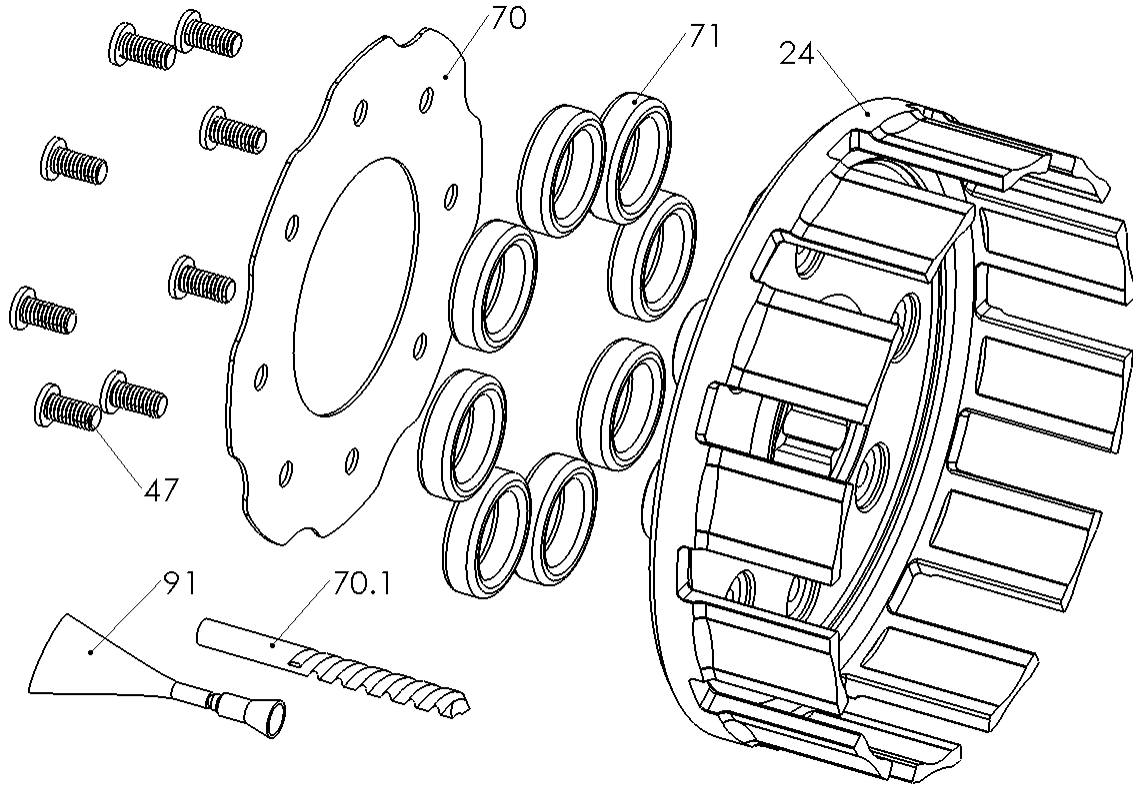


# RMS-4136 - CLUTCH BASKET



Item	Part Number	Item Description	Qty
24	170-036	CLUTCH BASKET - KT250/KT300	1
47	411-116A	FASTENER - M6 x 16 Special Low Head Soc Cap 10.9	8
70	471-036	RETAINING PLATE - KT250/KT300	1
70.1	471-114	DRILL - 1/4 SM Drill BIT	1
71	474-100	HARDWARE - 30mm Molded Basket Damper - H450	8
91	491-002	ADHESIVE - Loctite 262 (RED) .02 fl oz	1