



**FITTING INSTRUCTIONS FOR CP0516BL AERO CRASH PROTECTORS
TRIUMPH TRIDENT 660 2021-**



THIS KIT CONTAINS THE ITEMS PICTURED AND LABELLED OVER PAGE.

SOME PARTS MAY BE SHOWN FOR CLARITY OF INSTRUCTIONS ONLY.

DO NOT PROCEED UNTIL YOU ARE SURE ALL PARTS ARE PRESENT.

PLEASE READ ALL INSTRUCTIONS BEFORE PROCEEDING.

**IF IN ANY DOUBT WHEN FITTING OUR PRODUCTS, CONSULT ONE OF OUR DEALERS OR
HAVE FITTED BY A QUALIFIED TECHNICIAN.**

PLEASE NOTE THAT THE WAY THE KIT IS PACKED DOES NOT NECESSARILY REPRESENT THE WAY OF
MOUNTING TO THE BIKE.

IN THE EVENT OF RUBBER WASHERS BEING USED TO HOLD COMPONENTS ONTO BOLTS,
THESE RUBBER WASHERS CAN BE THROWN AWAY.

**DIGITAL COPIES OF THESE INSTRUCTIONS ARE AVAILABLE TO DOWNLOAD FROM
WWW.RG-RACING.COM**

R&G

Unit 1, Shelley's Lane, East Worldham, Alton, Hampshire, GU34 3AQ
Tel: +44 (0)1420 89007 Fax: +44 (0)1420 87301 www.rg-racing.com Email: info@rg-racing.com



<u>TOOLS REQUIRED</u>	<u>GENERAL TORQUE SETTINGS</u>
<ul style="list-style-type: none"> • SOCKET SET W/ 1X DEEP 17MM SOCKET & 1X 17MM SOCKET • TORQUE WRENCH CAPABLE OF 40Nm. • SUITABLE JACK WITH SOFT SUPPORT AREA (TO SUPPORT ENGINE WHILE MOUNTING BOLTS REMOVED) 	M4 BOLT = 8Nm M5 BOLT = 12Nm M6 BOLT = 15Nm M8 BOLT = 20Nm M10 BOLT = 40Nm M12 BOLT = 40Nm

LEGEND:

ITEM NO.	DESCRIPTION	QTY
ITEM 1	M0334 - LHS MOUNTING BRACKET	1
ITEM 2	M0335 - RHS MOUNTING BRACKET	1
ITEM 3	B0061 - BOBBIN	2
ITEM 4	S0533 - LHS BOBBIN SPACER	1
ITEM 5	S0588 - RHS BOBBIN SPACER	1
ITEM 6	S0642 - RHS REAR SPACER	1
ITEM 7	S0632 - LHS REAR SPACER	1
ITEM 8	S0424 - RHS FRONT SPACER	1
ITEM 10	60mm M10 HEX HEAD BOLT (LHS REAR)	1
ITEM 11	70mm M10 HEX HEAD BOLT (RHS BOBBIN BOLT)	1
ITEM 12	80mm M10 HEX HEAD BOLT (LHS BOBBIN BOLT)	1
ITEM 13	85mm M10 HEX HEAD BOLT (RHS REAR)	1
ITEM 14	105mm M10 HEX HEAD BOLT (RHS FRONT)	1
ITEM 15	BC0002 - BOBBIN CAP	2
ITEM 16	NC0001 - BOLT CAP	4
ITEM 17	M10 SHAKE PROOF WASHER	2
ITEM 18	M10 20mm Ø FLAT WASHERS	6
ITEM 19	M10 NYLOC NUT	3
ITEM 20	S1344 - TAPERED 50mm LHS FRONT SPACER	1
ITEM 21	120mm M10 HEX HEAD BOLT (LHS FRONT)	1

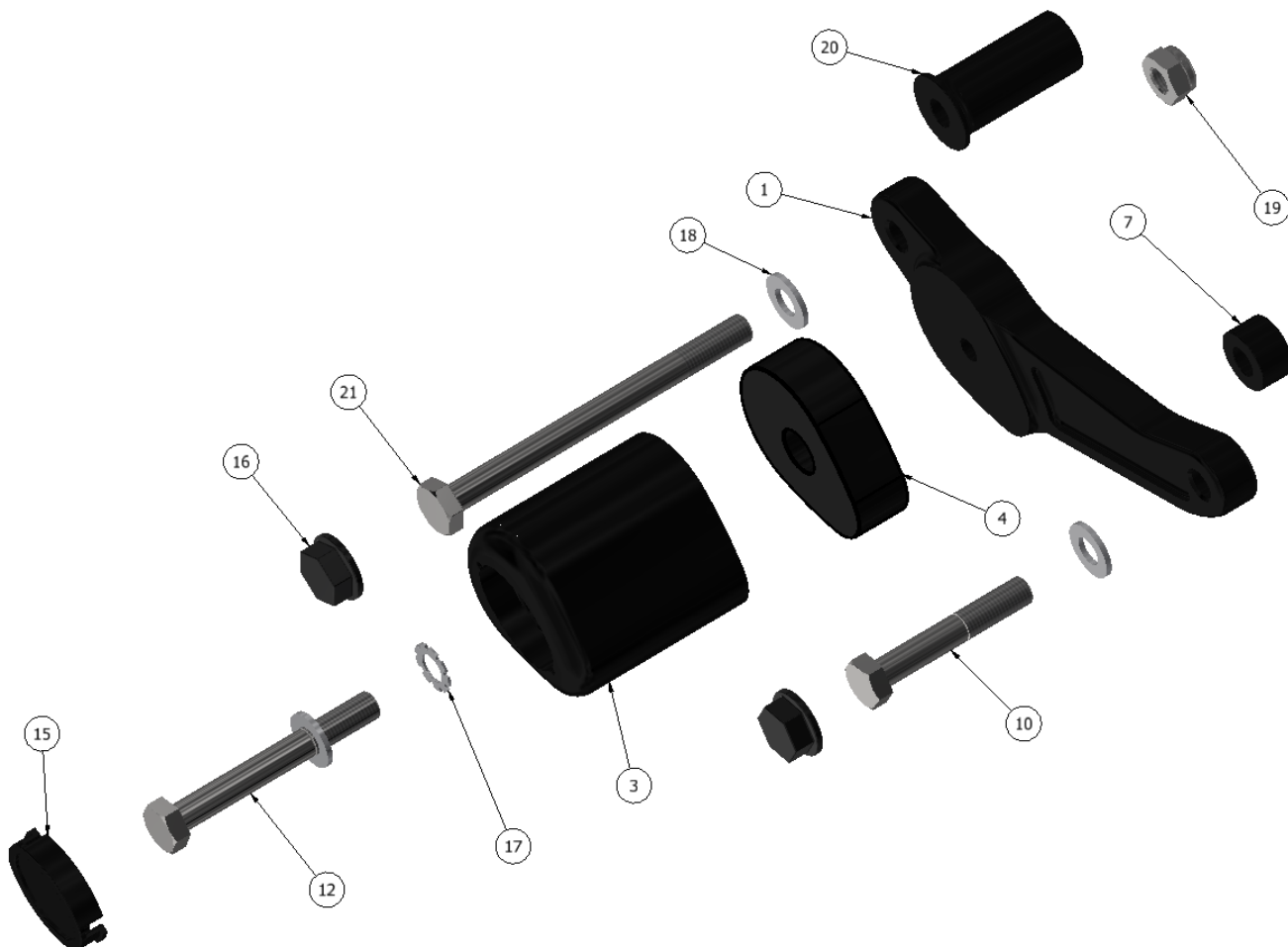
R&G

Unit 1, Shelley's Lane, East Worldham, Alton, Hampshire, GU34 3AQ

Tel: +44 (0)1420 89007 Fax: +44 (0)1420 87301 www.rg-racing.com Email: info@rg-racing.com



ASSEMBLY DIAGRAM - LHS



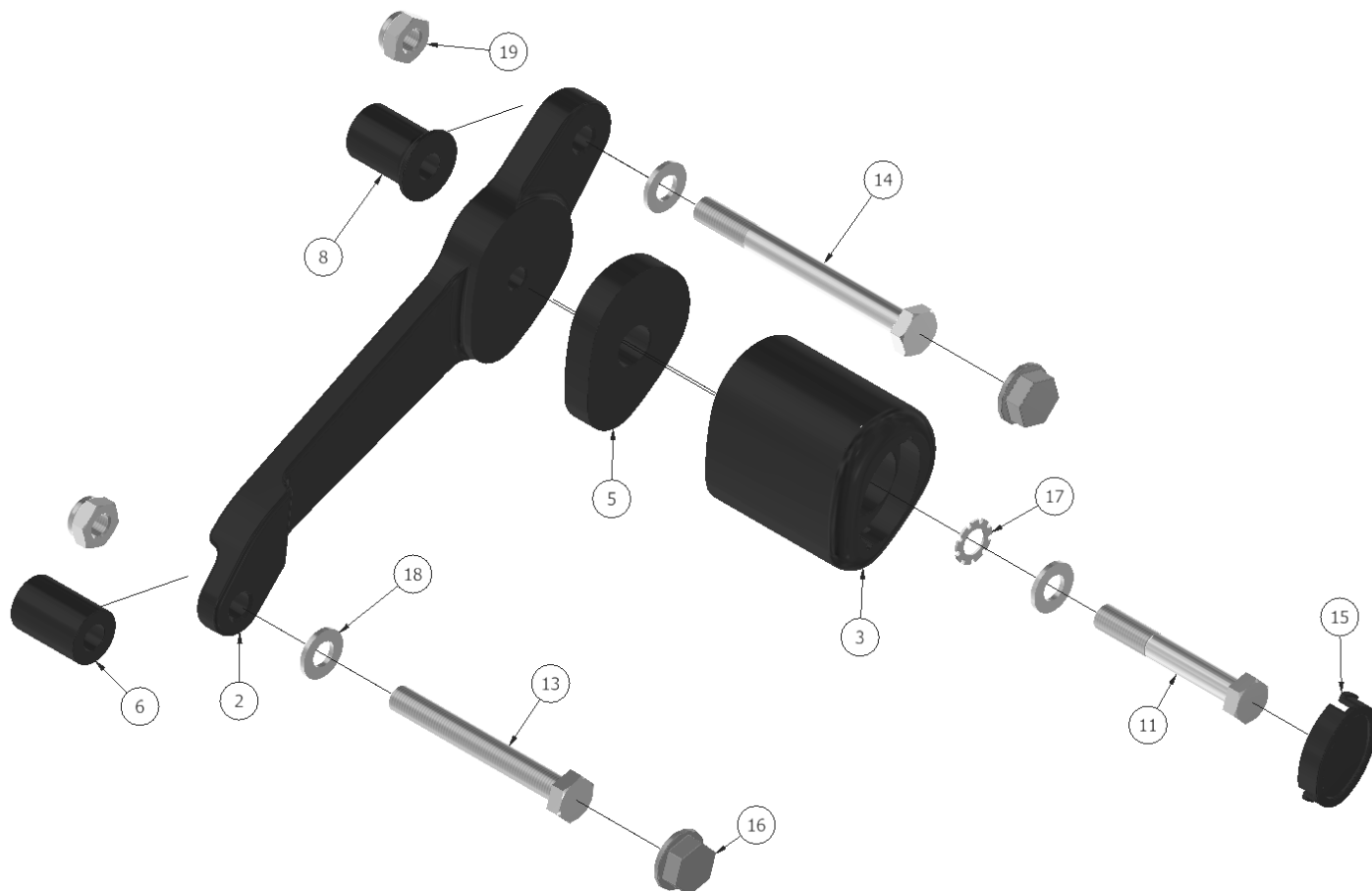
R&G

Unit 1, Shelley's Lane, East Worldham, Alton, Hampshire, GU34 3AQ

Tel: +44 (0)1420 89007 Fax: +44 (0)1420 87301 www.rg-racing.com Email: info@rg-racing.com



ASSEMBLY DIAGRAM – RHS



R&G

Unit 1, Shelley's Lane, East Worldham, Alton, Hampshire, GU34 3AQ

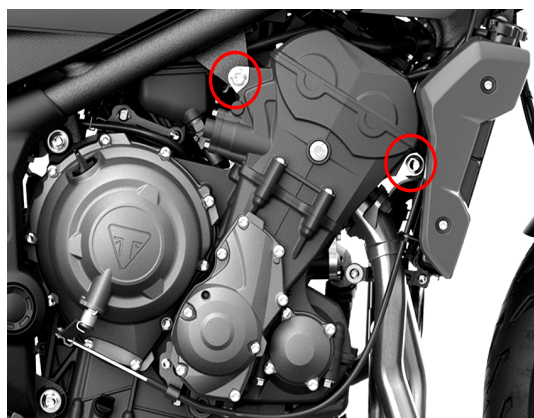
Tel: +44 (0)1420 89007 Fax: +44 (0)1420 87301 www.rg-racing.com Email: info@rg-racing.com



AERO-STYLE CRASH PROTECTOR ORIENTATION



FITTING INSTRUCTION IMAGES



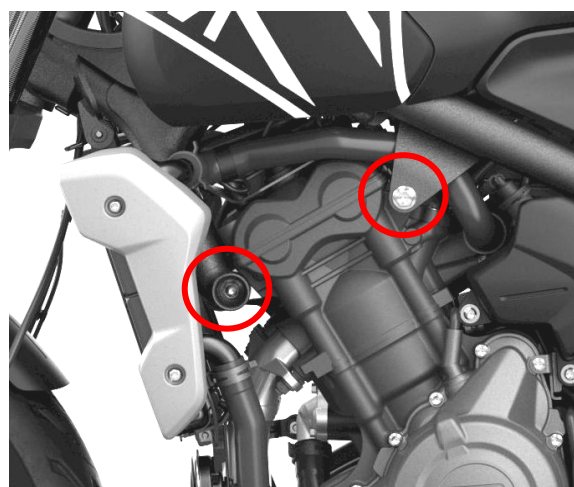
Picture 1



Picture 2



Picture 3



Picture 4



Picture 5



Picture 6

FITTING INSTRUCTIONS

PLEASE NOTE THAT BEFORE BEGINNING, YOU WILL NEED A SUITABLE JACK TO SUPPORT THE ENGINE WHEN REMOVING OEM ENGINE BOLTS. IF YOU ARE NOT COMFORTABLE, HAVE FITTED BY A QUALIFIED TECHNICIAN. READ ALL STEPS BEFORE PROCEEDING.

Installation of RHS Mounting Plate

- Place the jack underneath the engine in a central position and apply a light pressure to the underside of the engine **NOT** the exhaust or any other tubing (Please use a semi soft material (rubber/wood etc) as a bumper between the jack support area & the engine to cushion/spread the load which prevent any damage to the under-side of the engine).
- Slot 1x M10 washer (**Item 18**) onto an M10x105mm hex head bolt (**Item 14**) and push through the RHS mounting bracket (**Item 2**) and the 32mm tapered front RHS spacer (**Item 8**). (**Picture 2**)
- Remove the front RHS engine bolt seen in **Picture 1**.

PLEASE NOTE:

- A second 17mm socket will need to be used on the nut located on the back side of the engine bolt).
- With the OE engine bolt removed, push the M10x85mm hex head bolt (**Item 13**) with the mounting plate assembly through the original engine mounting hole.
- Using the supplied M10 Nyloc nut (**Item 19**) loosely tighten the bolt so that the mounting plate can still be rotated.
- The rear RHS engine bolt can now be removed. (Picture 1)
- Once removed, rotate the mounting plate into position and slide 1x M10 washer (**Item 18**) onto the M10x85mm bolt (**Item 13**) and slide through the mounting plate followed by the 32mm single diameter rear RHS spacer (**Item 6**).
- Tighten down the front & rear bolt evenly and torque to their required setting. (**Picture 3**)

R&G

Unit 1, Shelley's Lane, East Worldham, Alton, Hampshire, GU34 3AQ

Tel: +44 (0)1420 89007 Fax: +44 (0)1420 87301 www.rg-racing.com Email: info@rg-racing.com



Installation of LHS Mounting Plate

- Slot 1x M10 washer (**Item 18**) onto the M10x120mm hex head bolt (**Item 21**) and push through the LHS mounting plate (**Item 1**) & the 50mm tapered front LHS spacer (**Item 20**).
- Remove the front LHS engine bolt seen in **Picture 4**.

PLEASE NOTE:

- A second 17mm socket will need to be used on the nut located on the back side of the engine bolt).
- With the OE engine bolt removed, push the M10x105mm bolt (**Item 14**) with the mounting plate assembly through the original engine mounting hole.
- Using the supplied M10 Nyloc nut (**Item 19**) loosely tighten the bolt so that the mounting plate can be rotated.
- The rear LHS engine bolt can now be removed. (**Picture 4**)
- Once removed, rotate the mounting plate into position, slide 1x M10 washer (**Item 18**) onto the remaining M10x60mm bolt (**Item 10**) and slide through the mounting plate followed by the 12.5mm single diameter rear LHS spacer (**Item 7**).
- Tighten down the front & rear bolt evenly and torque to their required setting. (**Picture 5**)

Crash Protector Installation

- Firstly, slide 1x flat washer (**Item 18**) followed by 1x shake proof washer (**Item 17**) over both the M10x80mm (**Item 12**) & M10x70mm (**Item 11**).
- Push both bolts through a crash bobbin (**Item 3**), then slide the 12mm thick aero spacer (**Item 5**) over the RHS 70mm bolt (**Item 11**) assembly & the thicker 20mm bobbin spacer (**Item 4**) over the LHS 80mm bolt (**Item 12**) assembly.
- Thread each assembly into the mounting plates taking care not to cross thread.
- Once seated against the mounting plates, the bobbins & spacers may need to be held in place while the bolts are torqued to stop them from rotating.
- Please do not exceed 40N/m of torque when tightening the bobbins.
- Once all bolts have been torqued, apply the bobbin caps (**Item 15**) and bolt covers (**Item 16**) (**Picture 6**)

ISSUE 3 - 21/04/2022 (TB)

CONSUMER NOTICE

The catalogue description and any exhibition of samples are only broad indications of the Products and R&G may make design changes which do not diminish their performance or visual appeal and supplying them in such state shall conform to the order. The Buyer acknowledges no representation or warranty (other than as to title) has been given or will apply to the Products other than those in R&G's order or confirmation and the Buyer confirms it has chosen the Products as being of merchantable quality and suitable for its particular purposes. Where R&G fits the Products or undertakes other services it shall exercise reasonable skill and care and rectify any fault free of charge unless the workmanship has been disturbed. The Buyer is responsible for ensuring that the warranty on the motorcycle is not affected by the fitting of the Products. On return of any defective Products R&G shall at its option either supply a replacement or refund the purchase money but shall not be liable if the Products have been modified or used or maintained otherwise than in accordance with R&G's or manufacturer's instructions and good engineering practice or if the defect arises from accident or neglect. Other than identified above and subject to R&G not limiting its liability for causing death and personal injury, it shall not be liable for indirect or consequential loss and otherwise its liability shall be limited to the amounts paid by the Buyer for the Products or the fitting or service concerned. These terms do not affect the Buyer's statutory rights.

R&G RETURNS POLICY (NON-FAULTY GOODS)

Returns must be pre-authorized (if not pre-authorized the return will be rejected). Goods may only be returned direct to us if they were purchased direct from us (customer must prove if necessary). Otherwise to be returned to original vendor. Goods must be in re-sellable condition, in the opinion of R&G. All returns are subject to a 25% restocking and handling fee (25% of the gross value exc. P&P - at the prevailing price at time of purchase). The customer must pay any and all carriage charges. No returns of discontinued products, unless within 14 days of purchase. This policy does not affect your statutory rights and does not refer to faulty goods.

R&G

Unit 1, Shelley's Lane, East Worldham, Alton, Hampshire, GU34 3AQ

Tel: +44 (0)1420 89007 Fax: +44 (0)1420 87301 www.rg-racing.com Email: info@rg-racing.com



NOTICE DE MONTAGE POUR CP0516BL PROTECTIONS CRASH
TRIUMPH TRIDENT 660 2021-



CE KIT CONTIENT LES ARTICLES ILLUSTRES ET ETIQUETES SUR LA PAGE.

CERTAINES PARTIES PEUVENT ETRE PRESENTES UNIQUEMENT POUR LA CLARTE DES INSTRUCTIONS.

NE PAS PROCEDER AU MONTAGE TANT QUE VOUS N'ETES PAS SUR QUE TOUTES LES PIECES SOIENT PRESENTES.

VEUILLEZ LIRE TOUTES LES INSTRUCTIONS AVANT DE CONTINUER.

**EN CAS DE DOUTE LORS DU MONTAGE DE NOS PRODUITS, CONSULTEZ UN DE NOS
REVENDEURS OU FAITES APPEL A UN TECHNICIEN QUALIFIE.**

VEUILLEZ NOTER QUE LA FAÇON DONT LE KIT EST EMBALLE NE REPRESENTE PAS NECESSAIREMENT LA
MANIERE DE LE MONTER SUR LA MOTO.

SI DES RONDELLES EN CAOUTCHOUC SONT UTILISEES POUR MAINTENIR LES COMPOSANTS SUR LES
BOULONS, ELLES PEUVENT ETRE JETEES.

NOTICE DISPONIBLE AU TELECHARGEMENT SUR : WWW.RG-RACING.COM

R&G

Unit 1, Shelley's Lane, East Worldham, Alton, Hampshire, GU34 3AQ

Tel: +44 (0)1420 89007 Fax: +44 (0)1420 87301 www.rg-racing.com Email: info@rg-racing.com



<u>TOOLS REQUIRED</u>	<u>VALEURS DE SERRAGE</u>
<ul style="list-style-type: none"> • CLÉ À CLIQUET + DOUILLE 17MM • CLÉ DYNAMOMÉTRIQUE 40Nm. • PRISE DE SUPPORT AVEC SURFACE DOUCEA (POUR SUPPORTER LE MOTEUR LORS DU DÉMONTAGE DES BOULONS DE MONTAGE). 	M4 BOULON = 8Nm M5 BOULON = 12Nm M6 BOULON = 15Nm M8 BOULON = 20Nm M10 BOULON = 40Nm M12 BOULON = 40Nm

LÉGENDE :

ARTICLE NO.	DESCRIPTION	QTÉ
ARTICLE 1	M0334 – SUPPORT DE MONTAGE CÔTÉ GAUCHE	1
ARTICLE 2	M0335 - SUPPORT DE MONTAGE CÔTÉ DROIT	1
ARTICLE 3	B0061 – BOBINE DE PROTECTION	2
ARTICLE 4	S0533 – ENTRETOISE DE BOBINE CÔTÉ GAUCHE	1
ARTICLE 5	S0588 – ENTRETOISE DE BOBINE CÔTÉ DROIT	1
ARTICLE 6	S0642 – ENTRETOISE ARRIÈRE DROITE	1
ARTICLE 7	S0632 – ENTRETOISE ARRIÈRE GAUCHE	1
ARTICLE 8	S0424 – ENTRETOISE AVANT DROITE	1
ARTICLE 10	60mm M10 BOULON (ARRIÈRE DROITE)	1
ARTICLE 11	70mm M10 BOULON (PROTECTION DROITE)	1
ARTICLE 12	80mm M10 BOULON (BOULON DE PROTECTION GAUCHE)	1
ARTICLE 13	85mm M10 BOULON (ARRIÈRE DROIT)	1
ARTICLE 14	105mm M10 BOULON (AVANT DROIT)	1
ARTICLE 15	BC0002 – CAPUCHON DE BOBINE	2
ARTICLE 16	NC0001 – CAPUCHON DE BOULON	4
ARTICLE 17	M10 RONDELLE ANTI VIBRATION	2
ARTICLE 18	M10 20mm Ø RONDELLES	6
Article 19	M10 ÉCROUS	3

R&G

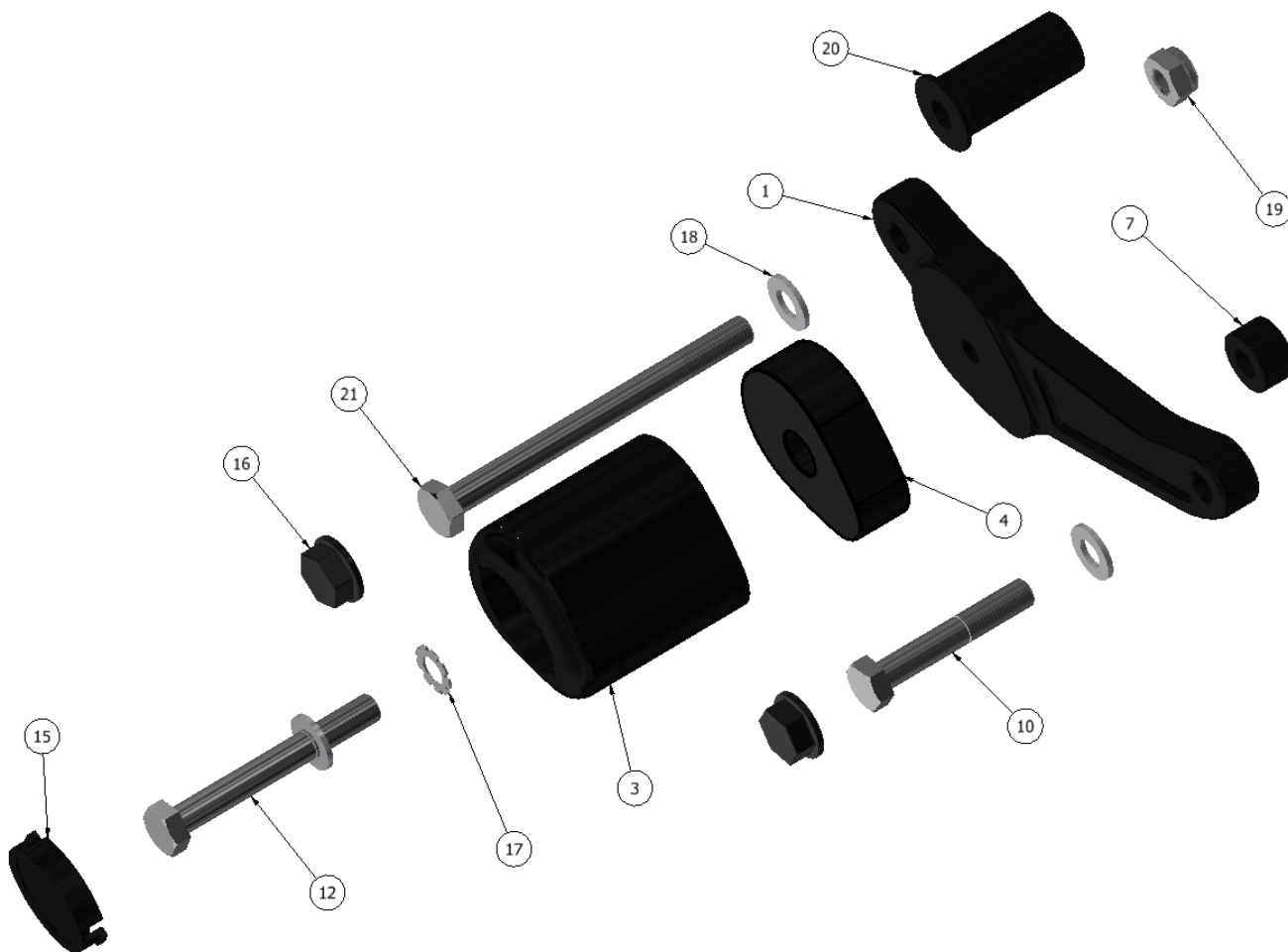
Unit 1, Shelley's Lane, East Worldham, Alton, Hampshire, GU34 3AQ

Tel: +44 (0)1420 89007 Fax: +44 (0)1420 87301 www.rg-racing.com Email: info@rg-racing.com



Article 20	S1344 - TAPERED 50mm ENTRETOISE AVANT GAUCHE	1
Article 21	120mm M10 BOULON (AVANT GAUCHE)	1

SCHÉMA D'ENSEMBLE - CÔTÉ GAUCHE



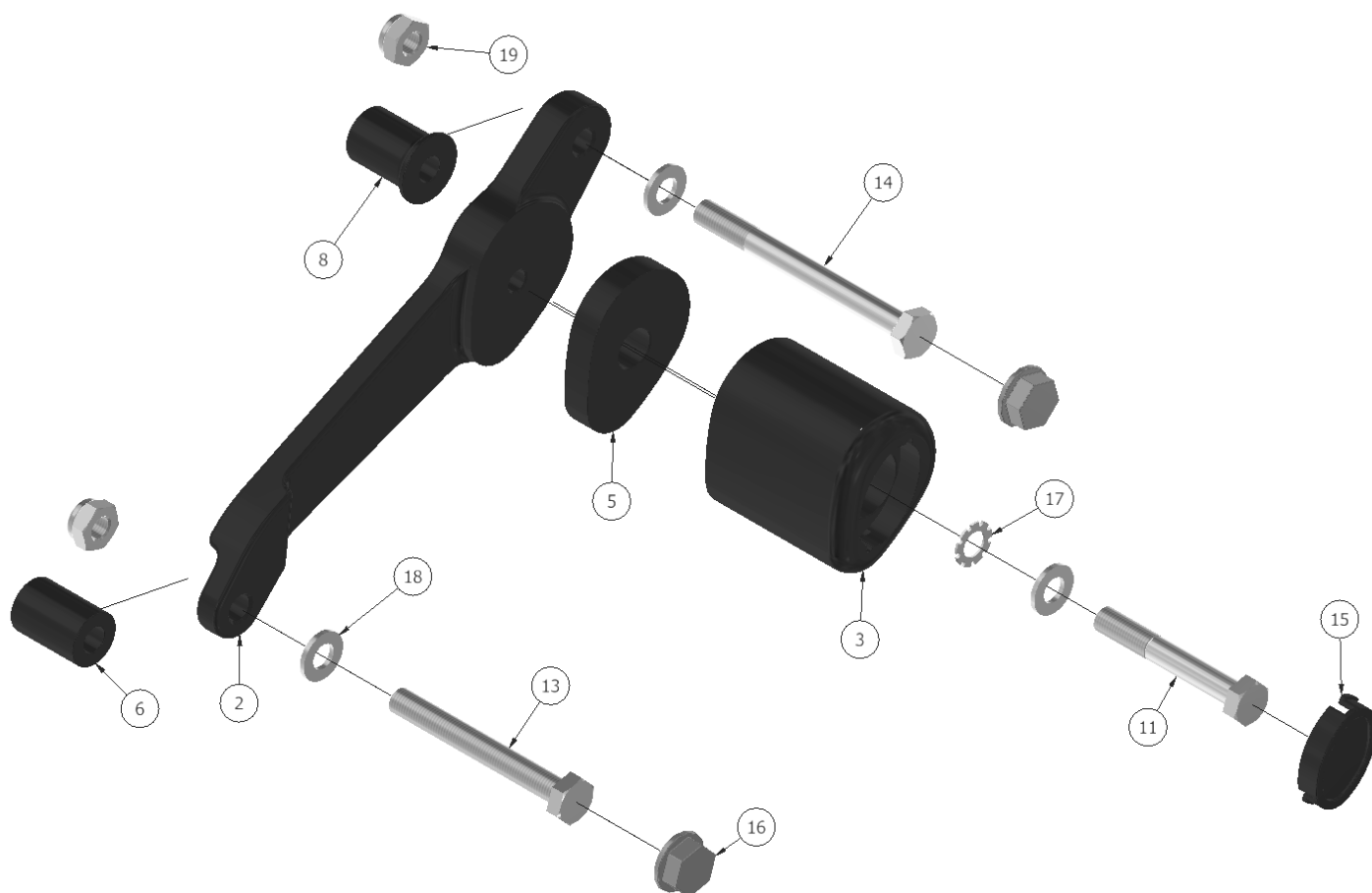
R&G

Unit 1, Shelley's Lane, East Worldham, Alton, Hampshire, GU34 3AQ

Tel: +44 (0)1420 89007 Fax: +44 (0)1420 87301 www.rg-racing.com Email: info@rg-racing.com



SCHÉMA D'ENSEMBLE – CÔTÉ DROIT



R&G

Unit 1, Shelley's Lane, East Worldham, Alton, Hampshire, GU34 3AQ

Tel: +44 (0)1420 89007 Fax: +44 (0)1420 87301 www.rg-racing.com Email: info@rg-racing.com



ORIENTATION DE LA PROTECTION CRASH



IMAGES DE MONTAGE

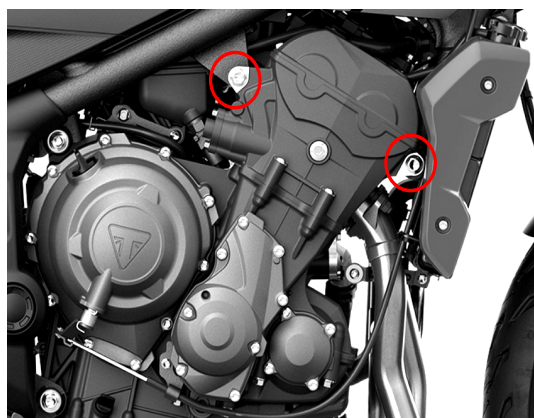


Photo 1



Photo 2



Photo 3

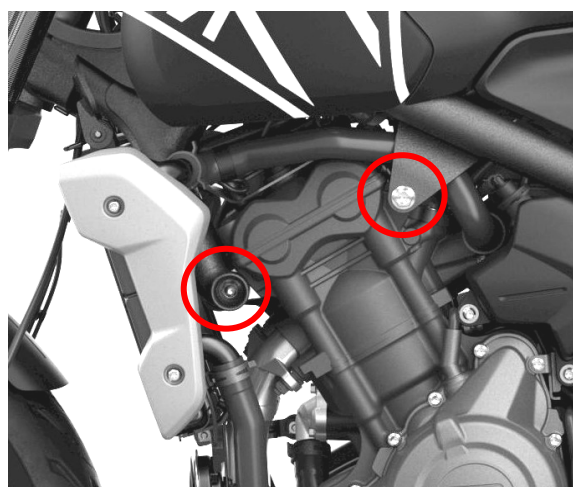


Photo 4



Photo 5



Photo 6

NOTICE DE MONTAGE

Avant de retirer les boulons du moteur, assurez-vous que la moto soit bien droite et soutenue par un support moteur ou un cric approprié placé sous le carter de la moto pour supporter le poids partiel du moteur, cela empêchera le moteur de bouger pendant le montage. NE PAS ENLEVER PLUS D'1 BOULON DE MOTEUR EN MÊME TEMPS.

Installation de la plaque de montage côté droit

- Placez le cric sous le moteur dans une position centrale et appliquez une légère pression sur le dessous du moteur MAIS PAS sur l'échappement ou tout autre tuyau (veuillez utiliser un matériau semi-doux (caoutchouc/bois, etc.) comme protection entre la zone de support du cric & le moteur pour amortir/répartir la charge afin d'éviter tout endommagement du dessous du moteur).
- Insérez 1 rondelle M10 (article 18) sur un boulon à tête hexagonale M10x105 mm (article 14) et poussez à travers la plaque de montage côté droit (article 2) et l'entretoise avant droite conique de 32 mm (article 8). (Photo 2).
- Retirez le boulon du moteur côté droit avant vu sur la photo 1.

VEUILLEZ NOTER :

- Une deuxième douille de 17 mm devra être utilisée sur l'écrou situé à l'arrière du boulon du moteur).
- Une fois le boulon du moteur d'origine retiré, poussez le boulon à tête hexagonale M10x85mm (Article 13) avec l'ensemble de plaque de montage à travers le trou de montage d'origine du moteur.
À l'aide de l'écrou Nyloc M10 fourni (article 19), serrez légèrement le boulon de sorte que la plaque de montage puisse encore tourner.
- Le boulon arrière du moteur côté droit peut maintenant être retiré. (Photo 1)
- Une fois retirée, faites pivoter la plaque de montage en position et faites glisser 1x rondelle M10 (Article 18) sur le boulon M10x85mm (Article 13) et faites glisser à travers la plaque de montage suivie de l'entretoise arrière côté droit de 32 mm de diamètre simple (Article 6).
- Serrez uniformément les boulons avant et arrière et serrez au réglage requis. (Photo 3).

R&G

Unit 1, Shelley's Lane, East Worldham, Alton, Hampshire, GU34 3AQ

Tel: +44 (0)1420 89007 Fax: +44 (0)1420 87301 www.rg-racing.com Email: info@rg-racing.com



Installation de la plaque de montage côté gauche

- Insérez 1 rondelle M10 (article 18) sur le boulon à tête hexagonale M10x120 mm (article 21) et poussez à travers la plaque de montage côté gauche (article 1) et l'entretoise avant côté gauche conique de 50 mm (article 20).
- Retirez le boulon avant du moteur côté gauche vu sur la photo 4.
VEUILLEZ NOTER :
Une deuxième douille de 17 mm devra être utilisée sur l'écrou situé à l'arrière du boulon du moteur).
- Une fois le boulon du moteur d'origine retiré, poussez le boulon M10x105mm (Article 14) avec l'ensemble de plaque de montage à travers le trou de montage d'origine du moteur.
- À l'aide de l'écrou Nyloc M10 fourni (article 19), serrez légèrement le boulon de sorte que la plaque de montage puisse être tournée.
- Le boulon arrière du moteur côté gauche peut maintenant être retiré. (Photo 4)
- Une fois retirée, faites pivoter la plaque de montage en position, faites glisser 1 rondelle M10 (article 18) sur le boulon M10x60 mm restant (article 10) et faites-la glisser à travers la plaque de montage suivie de l'entretoise arrière côté gauche de 12,5 mm de diamètre unique (article 7).
- Serrez uniformément les boulons avant et arrière et serrez au réglage requis (Photo 5).

Installation de la protection crash

- Tout d'abord, faites glisser 1x rondelle plate (Article 18) suivie d'1x rondelle anti-vibration (Article 17) sur les M10x80mm (Article12) et M10x70mm (Article11).
- Enfoncez les deux boulons dans une protection crash (article 3), puis faites glisser l'entretoise aérodynamique de 12 mm d'épaisseur (article 5) sur l'ensemble de boulons côté droit 70 mm (Article 11) et l'entretoise aérodynamique plus épaisse de 20 mm (article 4) sur l'ensemble de boulons côté gauche 80 mm (Article 12).
- Vissez chaque ensemble dans les plaques de montage en prenant soin de ne pas croiser le filetage.
- Une fois assis contre les plaques de montage, les protections et les entretoises peuvent avoir besoin d'être maintenues en place pendant que les boulons sont serrés pour les empêcher de tourner.
- Veuillez ne pas dépasser 40 N/m de couple lors du serrage des protections.
- Une fois tous les boulons serrés, appliquer les capuchons de protection (Article 15) et les cache-écrous (Article 16) (Photo 6).

ISSUE 3 - 21/04/2022 (TB)

CONSUMER NOTICE

The catalogue description and any exhibition of samples are only broad indications of the Products and R&G may make design changes which do not diminish their performance or visual appeal and supplying them in such state shall conform to the order. The Buyer acknowledges no representation or warranty (other than as to title) has been given or will apply to the Products other than those in R&G's order or confirmation and the Buyer confirms it has chosen the Products as being of merchantable quality and suitable for its particular purposes. Where R&G fits the Products or undertakes other services it shall exercise reasonable skill and care and rectify any fault free of charge unless the workmanship has been disturbed. The Buyer is responsible for ensuring that the warranty on the motorcycle is not affected by the fitting of the Products. On return of any defective Products R&G shall at its option either supply a replacement or refund the purchase money but shall not be liable if the Products have been modified or used or maintained otherwise than in accordance with R&G's or manufacturer's instructions and good engineering practice or if the defect arises from accident or neglect. Other than identified above and subject to R&G not limiting its liability for causing death and

R&G

Unit 1, Shelley's Lane, East Worldham, Alton, Hampshire, GU34 3AQ

Tel: +44 (0)1420 89007 Fax: +44 (0)1420 87301 www.rg-racing.com Email: info@rg-racing.com



personal injury, it shall not be liable for indirect or consequential loss and otherwise its liability shall be limited to the amounts paid by the Buyer for the Products or the fitting or service concerned. These terms do not affect the Buyer's statutory rights.

R&G RETURNS POLICY (NON-FAULTY GOODS)

Returns must be pre-authorized (if not pre-authorized the return will be rejected). Goods may only be returned direct to us if they were purchased direct from us (customer must prove if necessary). Otherwise to be returned to original vendor. Goods must be in re-sellable condition, in the opinion of R&G. All returns are subject to a 25% restocking and handling fee (25% of the gross value exc. P&P – at the prevailing price at time of purchase). The customer must pay any and all carriage charges. No returns of discontinued products, unless within 14 days of purchase. This policy does not affect your statutory rights and does not refer to faulty goods.

R&G

Unit 1, Shelley's Lane, East Worldham, Alton, Hampshire, GU34 3AQ

Tel: +44 (0)1420 89007 Fax: +44 (0)1420 87301 www.rg-racing.com Email: info@rg-racing.com



MONTAGEANLEITUNG FÜR CP0516BL AERO STURZPADS
TRIUMPH TRIDENT 660 2021-



ALLE KIT-TEILE SIND AUF DEN NACHFOLGENDEN SEITEN ABGEBILDET UND GEKENNZEICHNET.

DIE ABGEBILDETEN TEILE DIENEN LEDIGLICH ZUR ERKLÄRUNG.

ÜBERPRÜFEN SIE ZUERST, DASS ALLE TEILE VORHANDEN SIND.

LESEN SIE DIE MONTAGEANLEITUNG KOMPLETT DURCH, BEVOR SIE ANFANGEN.

**WENN SIE BEI DER MONTAGE DIESER PRODUKTES UNSICHER SIND, BITTE EINEN
UNSERER HÄNDLER KONTAKTIEREN ODER DAS KIT VON EINEM QUALIFIZIERTEN
ZWEIRAD-MECHANIKER MONTIEREN LASSEN.**

DIE VERPACKUNG DER TEILE STELLT NICHT DIE REIHENFOLGE DER MONTAGE DAR.

HINWEIS FÜR KITS MIT PLASTIKUNTERLEGSCHLEIBEN AN DEN SCHRAUBEN –
DIESE PLASTIK-UNTERLEGSCHLEIBEN WERDEN NICHT FÜR DEN EINBAU BENÖTIGT.

**EINE DIGITALE VERSION DIESER MONTAGEANLEITUNG KANN AUF FOLGENDER SEITE
HERUNTERGELADEN WERDEN:**

WWW.RG-RACING.COM

R&G

Unit 1, Shelley's Lane, East Worldham, Alton, Hampshire, GU34 3AQ

Tel: +44 (0)1420 89007 Fax: +44 (0)1420 87301 www.rg-racing.com Email: info@rg-racing.com



<u>SIE BENÖTIGEN FOLGENDES:</u>	<u>ALLGEM. ANZUGSDREHMOMENT</u>
<ul style="list-style-type: none"> SATZ STECKSCHLÜSSEL INKL. 1x TIEFEN 17MM STECKSCHLÜSSEL & 1x 17MM STECKSCHLÜSSEL DREHMOMENTSCHLÜSSEL (BIS 40Nm) PASSENDEN MOTORRADHEBER MIT WEICHEM STÜTZBEREICH (UM DEN MOTOR ZU STÜTZEN WÄHREND DER ENTFERUNGUNG DER MOTOR-SCHRAUBEN) 	M4 SCHRAUBE = 8Nm M5 SCHRAUBE = 12Nm M6 SCHRAUBE = 15Nm M8 SCHRAUBE = 20Nm M10 SCHRAUBE = 40Nm M12 SCHRAUBE = 40Nm

LIEFERUMFANG:

ARTIKEL NR.	BESCHREIBUNG	MENGE
ARTIKEL 1	M0334 - LHS MONTAGEHALTERUNG	1
ARTIKEL 2	M0335 - RHS MONTAGEHALTERUNG	1
ARTIKEL 3	B0061 - STURZPAD	2
ARTIKEL 4	S0533 - DISTANZHALTER FÜR STURZPAD LINKS	1
ARTIKEL 5	S0588 - DISTANZHALTER FÜR STURZPAD RECHTS	1
ARTIKEL 6	S0642 - DISTANZHALTER HINTEN RECHTS	1
ARTIKEL 7	S0632 - DISTANZHALTER HINTEN LINKS	1
ARTIKEL 8	S0424 - DISTANZHALTER VORNE RECHTS	1
ARTIKEL 10	60mm M10 SECHSKANTSCHRAUBE (RECHTS HINTEN)	1
ARTIKEL 11	70mm M10 SECHSKANTSCHRAUBE (STURZPAD RECHTS)	1
ARTIKEL 12	80mm M10 SECHSKANTSCHRAUBE (STURZPAD LINKS)	1
ARTIKEL 13	85mm M10 SECHSKANTSCHRAUBE (RECHTS HINTEN)	1
ARTIKEL 14	105mm M10 SECHSKANTSCHRAUBE (RECHTS VORNE)	1
ARTIKEL 15	BC0002 - STURZPAD-SCHUTZKAPPE	2
ARTIKEL 16	NC0001 - KAPPE FÜR SCHRAUBE	4
ARTIKEL 17	M10 ZAHNSCHEIBE	2
ARTIKEL 18	M10 20mm Ø UNTERLEGSCHNEIBE	6
ARTIKEL 19	M10 SELBSTSICHERNDE MUTTER	3
ARTIKEL 20	S1344 - 50mm DISTANZHALTER LINKS VORNE	1
ARTIKEL 21	120mm M10 SECHSKANTSCHRAUBE (LINKS VORNE)	1

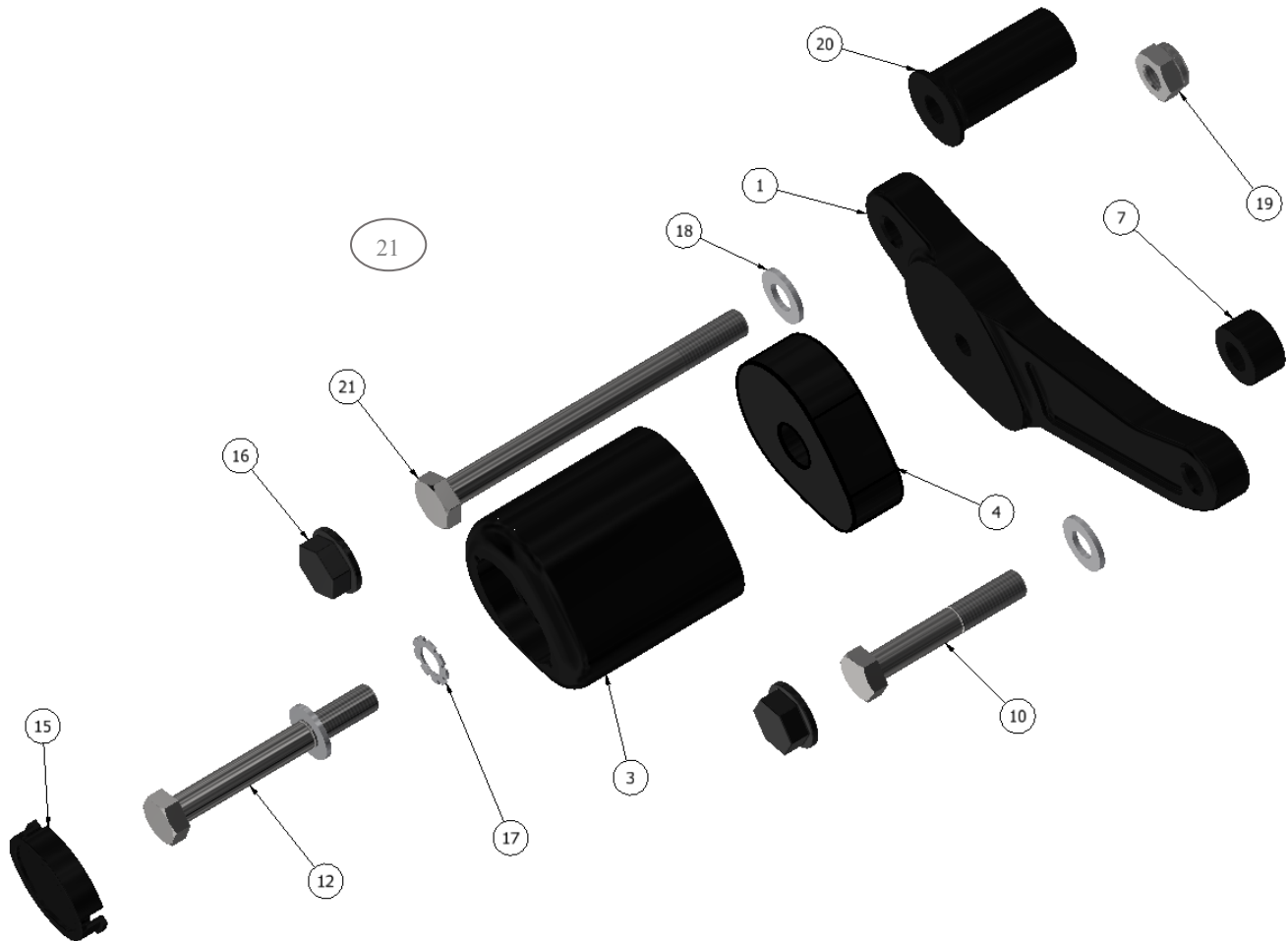
R&G

Unit 1, Shelley's Lane, East Worldham, Alton, Hampshire, GU34 3AQ

Tel: +44 (0)1420 89007 Fax: +44 (0)1420 87301 www.rg-racing.com Email: info@rg-racing.com



ZEICHNUNG ZUSAMMENBAU LINKE SEITE



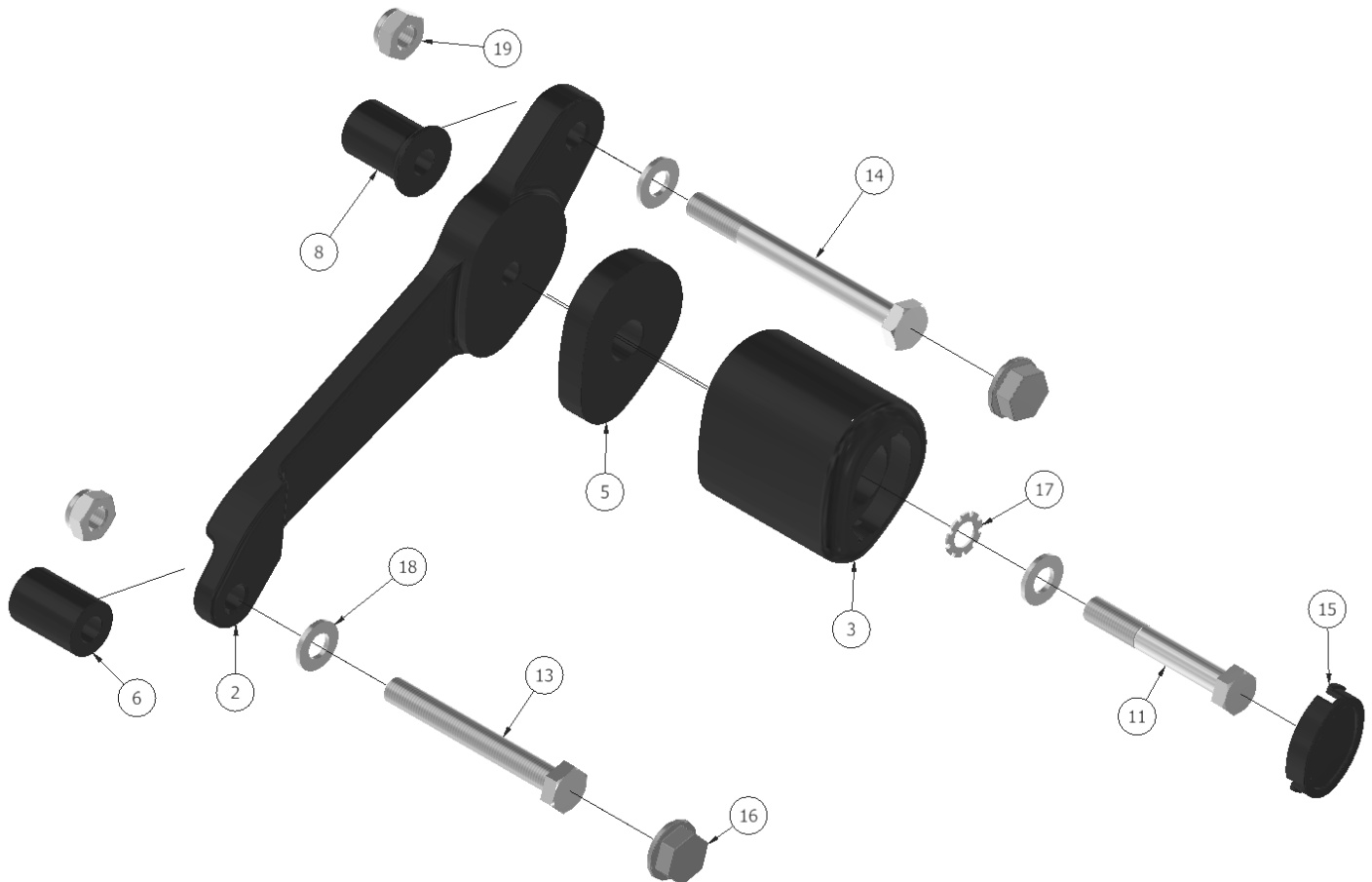
R&G

Unit 1, Shelley's Lane, East Worldham, Alton, Hampshire, GU34 3AQ

Tel: +44 (0)1420 89007 Fax: +44 (0)1420 87301 www.rg-racing.com Email: info@rg-racing.com



ZEICHNUNG ZUSAMMENBAU RECHTE SEITE



R&G

Unit 1, Shelley's Lane, East Worldham, Alton, Hampshire, GU34 3AQ

Tel: +44 (0)1420 89007 Fax: +44 (0)1420 87301 www.rg-racing.com Email: info@rg-racing.com



AERO STURZPAD ORIENTIERUNG



MONTAGEANLEITUNG – BILDER

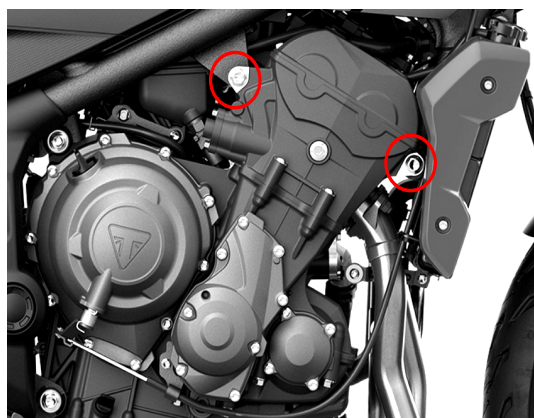


Abbildung 1



Abbildung 2



Abbildung 3

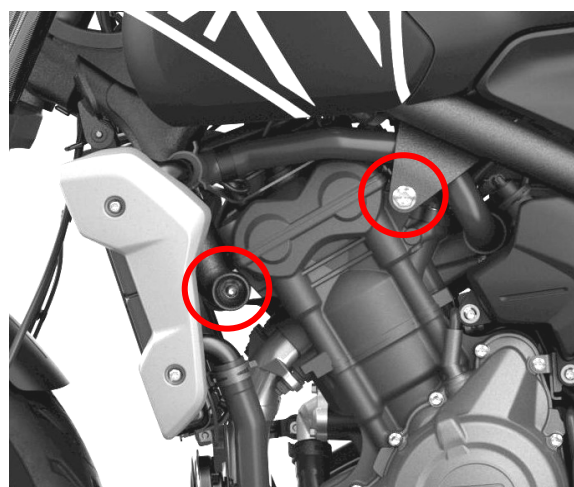


Abbildung 4

R&G

Unit 1, Shelley's Lane, East Worldham, Alton, Hampshire, GU34 3AQ

Tel: +44 (0)1420 89007 Fax: +44 (0)1420 87301 www.rg-racing.com Email: info@rg-racing.com



Abbildung 5



Abbildung 6

MONTAGEANLEITUNG

HINWEIS: BEVOR SIE ANFANGEN, BENÖTIGEN SIE EINEN GEEIGNETEN HEBER, UM DEN MOTOR WÄHREND DER ENTFERNUNG DER MOTORSCHRAUBEN ZU STÜTZEN. WENN SIE UNSICHER SIND, LASSEN SIE DAS KIT VON EINEM QUALIFIZIERTEN ZWEIRAD-MECHANIKER MONTIEREN. LESEN SIE DIE KOMPLETTE ANLEITUNG DURCH, BEVOR SIE MIT DER MONTAGE BEGINNEN.

Montage der rechten Montageplatte:

- Einen passenden Motorradheber oder Montagegeständer mittig unter den Motor stellen und etwas Druck an der Unterseite des Motors anwenden **NICHT** am Auspuff oder am Rohr (bitte ein halbweiches Material (Holz / Kunststoff usw.) als Puffer zwischen dem Stützbereich des Hebers und dem Motor zu federn/das Gewicht zu verteilen, um somit eventuelle Beschädigungen an der Unterseite des Motors zu verhindern).
- Eine M10 Unterlegscheibe (**Artikel 18**) an der M10x105mm Sechskantschraube (**Artikel 14**) anbringen und diese in die Montageplatte für die rechte Seite (**Artikel 2**) & in den 32mm Distanzhalter für die rechte Seite (**Artikel 8**) einsetzen -siehe **Abbildung 2**.
- Entfernen Sie die vordere Schraube für den Motor an der rechten Seite, die in **Abbildung 1** abgebildet ist.

HINWEIS:

Einen zweiten 17mm Steckschlüssel wird für die Mutter an der Rückseite der Motorschraube benötigt.

- Nachdem die Originalschraube für den Motor entfernt wurde, die M10x85mm Sechskantschraube (**Artikel 13**) zusammen mit der Montageplatte-Einheit in die original Aufnahmebohrung für den Motor einsetzen.
- Mit einer M10 selbstsichernden Mutter von Kit (**Artikel 19**) die Schraube lose befestigen, sodass die Montageplatte noch gedreht werden kann.
- Die hintere Schraube für den Motor kann nun entfernt werden.
- Nachdem die Schraube entfernt wurde, die Montageplatte in Position drehen und eine M10 Unterlegscheibe (**Artikel 18**) an der M10x85mm Sechskantschraube (**Artikel 13**) und in die Montageplatte einsetzen gefolgt vom 32mm Distanzhalter für die rechte Seite (**Artikel 6**).

R&G

Unit 1, Shelley's Lane, East Worldham, Alton, Hampshire, GU34 3AQ

Tel: +44 (0)1420 89007 Fax: +44 (0)1420 87301 www.rg-racing.com Email: info@rg-racing.com



- Die vordere und hintere Schraube gleichmäßig festziehen und mit dem empfohlenen Anzugsdrehmoment befestigen (**Abbildung 3**).

Montage der linken Montageplatte

- Eine M10 Unterlegscheibe (**Artikel 18**) an der M10x120mm Sechskantschraube (**Artikel 21**) und diese in die Montageplatte für die linke Seite (**Artikel 1**) & in den 50mm Distanzhalter für die linke Seite (**Artikel 20**) einsetzen.
- Entfernen Sie die vordere Schraube für den Motor an der linken Seite, die in **Abbildung 4** abgebildet ist.

HINWEIS:

Einen zweiten 17mm Steckschlüssel wird für die Mutter an der Rückseite der Motorschraube benötigt.

- Nachdem die Originalschraube für den Motor entfernt wurde, die M10x105mm Schraube (**Artikel 14**) zusammen mit der Montageplatte-Einheit in die original Aufnahmebohrung für den Motor einsetzen.
- Mit einer M10 selbstsichernden Mutter von Kit (**Artikel 19**) die Schraube lose befestigen, sodass die Montageplatte noch gedreht werden kann.
- Die hintere Schraube für den Motor an der linken Seite kann nun entfernt werden – siehe **Abbildung 4**)
- Nachdem die Schraube entfernt wurde, die Montageplatte in Position drehen und eine M10 Unterlegscheibe (**Artikel 18**) an der M10x60mm Schraube (**Artikel 10**) anbringen und in die Montageplatte einsetzen gefolgt vom 12,5mm Distanzhalter für die linke Seite (**Artikel 7**).
- Die vordere und hintere Schraube gleichmäßig festziehen und mit dem empfohlenen Anzugsdrehmoment befestigen (**Abbildung 5**).

Sturzpads – Montage

- Zuerst jeweils eine Unterlegscheibe (**Artikel 18**) gefolgt von einer Zahnscheibe (**Artikel 17**) an beiden M10x80mm (**Artikel12**) & M10x70mm Schrauben anbringen (**Artikel11**).
- Die Schrauben in ein Sturzpad (**Artikel 3**) einsetzen und den 12mm breiten Aero-Distanzhalter (**Artikel 5**) an der 70mm Schraubeneinheit (**Artikel11**). für die rechte Seite & den breiteren 20mm Aero-Distanzhalter (**Artikel 4**) an der 80mm Schraubeneinheit für die linke Seite anbringen (**Artikel12**).
- Jede Baueinheit in den Montageplatten eindrehen und achten Sie darauf, dass die gerade eingesetzt werden.
- Nachdem sie an den Montageplatten anliegen, müssen die Sturzpads und Distanzhalter beim Festziehen der Schrauben eventuell in Position gehalten werden, um zu verhindern, dass die sich drehen.
- Bitte 40 Nm Anzugsdrehmoment nicht überschreiten!
- Nachdem alle Schrauben festgezogen sind, die Sturzpad-Schutzkappen (**Artikel 15**) und Kappen (**Artikel 16**) - siehe **Abbildung 6**.

AUSGABE 1 - 15/09/2021 (TB)

CONSUMER NOTICE

The catalogue description and any exhibition of samples are only broad indications of the Products and R&G may make design changes which do not diminish their performance or visual appeal and supplying them in such state shall conform to the order. The Buyer acknowledges no representation or warranty (other than as to title) has been given or will apply to the Products other than those in R&G's order or confirmation and the Buyer confirms it has chosen the Products as being of merchantable quality and suitable for its particular purposes. Where R&G fits the Products or undertakes other services it shall exercise reasonable skill and care and rectify any fault free of charge unless the workmanship has been disturbed. The Buyer is responsible for ensuring that the

R&G

Unit 1, Shelley's Lane, East Worldham, Alton, Hampshire, GU34 3AQ

Tel: +44 (0)1420 89007 Fax: +44 (0)1420 87301 www.rg-racing.com Email: info@rg-racing.com



warranty on the motorcycle is not affected by the fitting of the Products. On return of any defective Products R&G shall at its option either supply a replacement or refund the purchase money but shall not be liable if the Products have been modified or used or maintained otherwise than in accordance with R&G's or manufacturer's instructions and good engineering practice or if the defect arises from accident or neglect. Other than identified above and subject to R&G not limiting its liability for causing death and personal injury, it shall not be liable for indirect or consequential loss and otherwise its liability shall be limited to the amounts paid by the Buyer for the Products or the fitting or service concerned. These terms do not affect the Buyer's statutory rights.

R&G RETURNS POLICY (NON-FAULTY GOODS)

Returns must be pre-authorized (if not pre-authorized the return will be rejected). Goods may only be returned direct to us if they were purchased direct from us (customer must prove if necessary). Otherwise to be returned to original vendor. Goods must be in re-sellable condition, in the opinion of R&G. All returns are subject to a 25% restocking and handling fee (25% of the gross value exc. P&P - at the prevailing price at time of purchase). The customer must pay any and all carriage charges. No returns of discontinued products, unless within 14 days of purchase. This policy does not affect your statutory rights and does not refer to faulty goods.

R&G

Unit 1, Shelley's Lane, East Worldham, Alton, Hampshire, GU34 3AQ

Tel: +44 (0)1420 89007 Fax: +44 (0)1420 87301 www.rg-racing.com Email: info@rg-racing.com