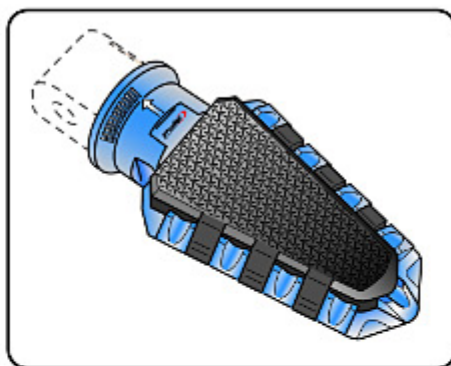


MEASUREMENTS:

85x51mm



PRECISION:

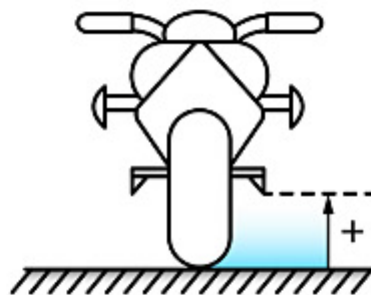
They incorporate marks for a correct regulation



ABE 91553



TÜV

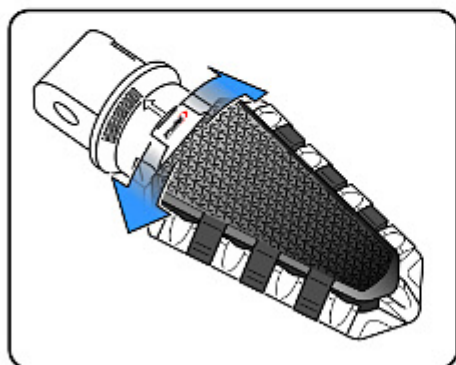


DESIGN:

Ergonomic increase of headroom



WEIGHT



REGULATION:

In tilt