

MEASUREMENTS



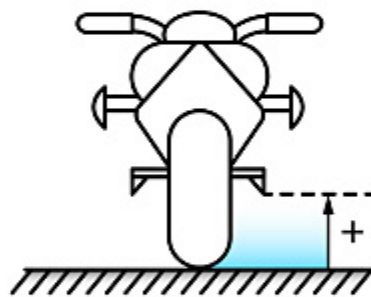
ABE 91553



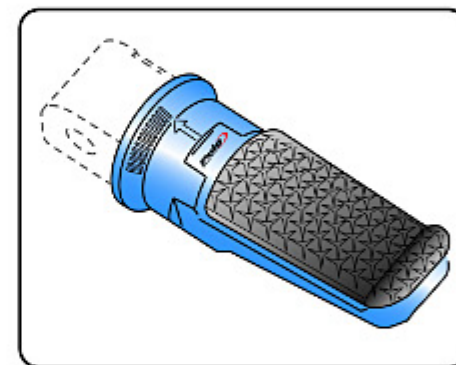
WEIGHT



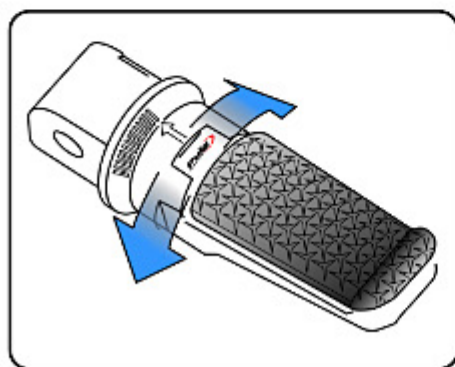
TÜV



DESIGN:
Ergonomic increase of headroom



PRECISION:
They incorporate marks for a correct regulation



REGULATION:
In tilt