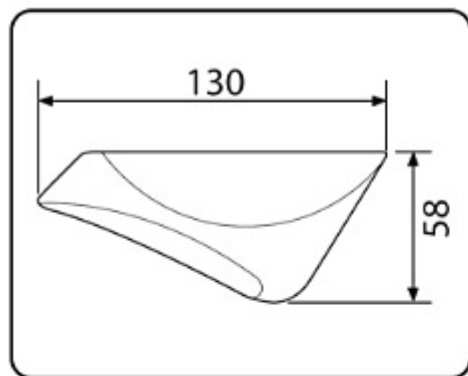
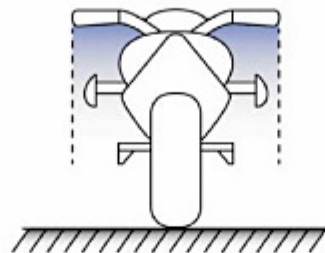


TECHNICAL FEATURES

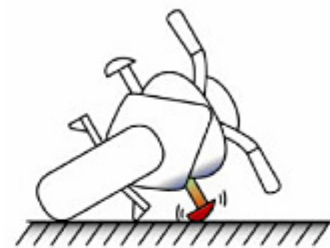


Measurements



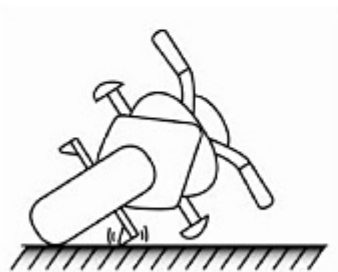
DESIGN

Sliders do not stand out from handlebar



COMPLETE PROTECTION

Protect engine and chassis



DESIGN

Touch after the footpegs



Avoid knne injuries