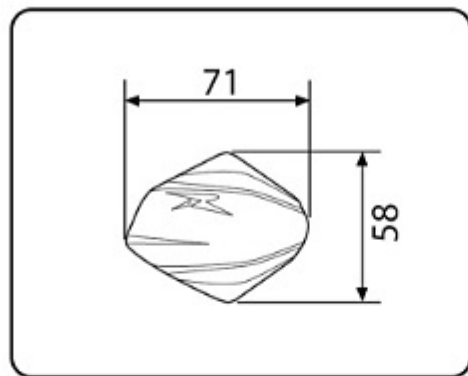
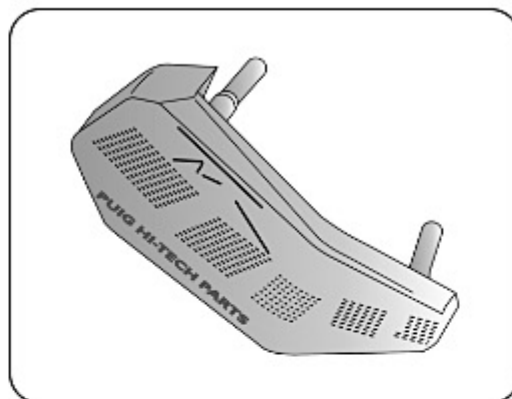


TECHNICAL FEATURES

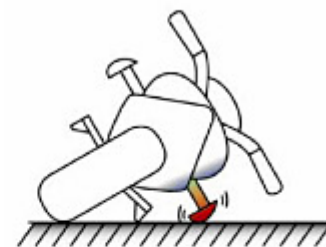


MEASUREMENTS



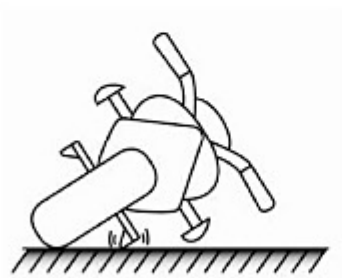
RUBBER

Protector of the driver's knee of possible blows when getting on the motorcycle. It is in gray color.



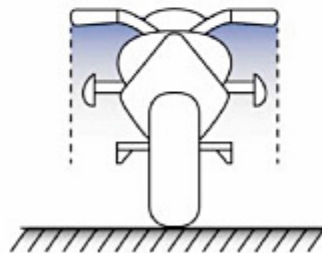
COMPLETE PROTECTION

Protect engine and chassis



DESIGN

Touch after the footpegs



DESIGN

Sliders do not stand out from handlebar