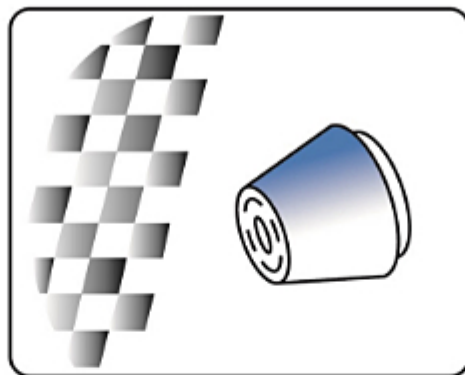


## TECHNICAL FEATURES



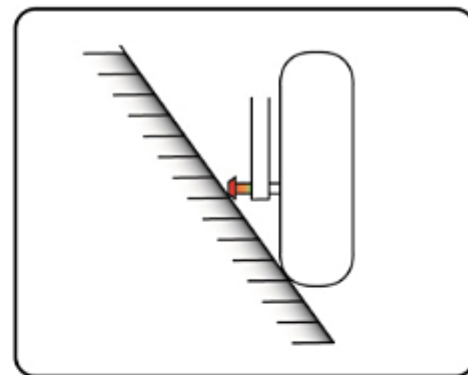
### WEIGHT

Reduced to 265 grams



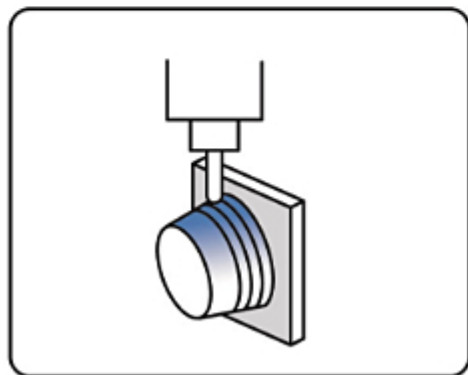
### DESIGN

Look more racing for your motorcycle.



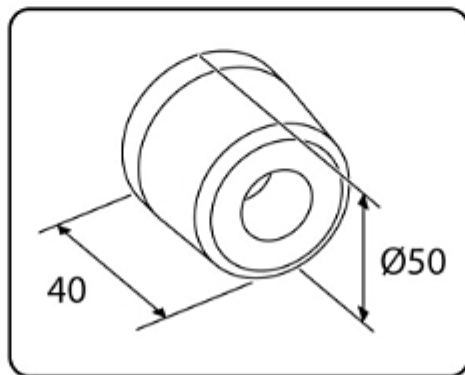
### INTEGRAL PROTECTION

Suspension and swingarm



### MATERIAL

Machining from a block of nylon



### Measurements

When it comes to quality motorcycle suspension parts, Puig is the brand you can depend on.