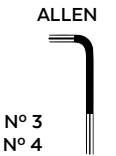
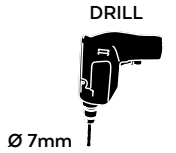
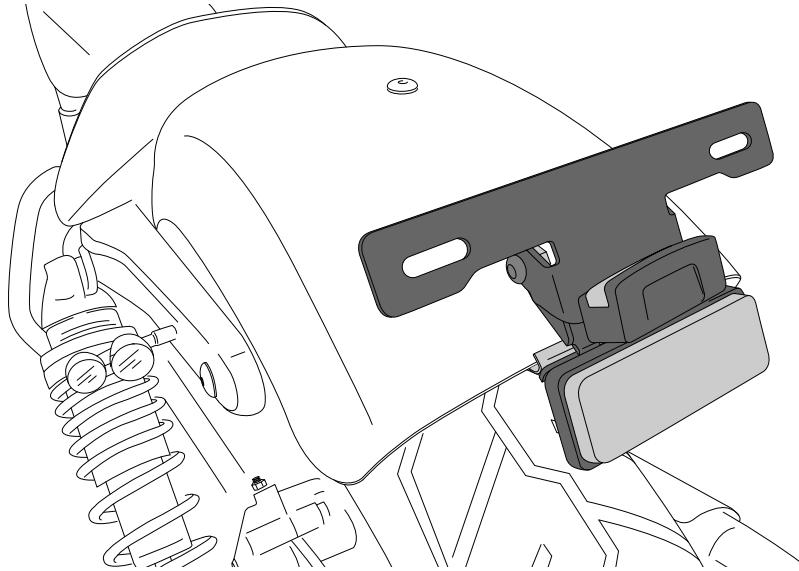


HARLEY DAVIDSON SPORTSTER 883 IRON '13-

REF 9994N

LICENSE SUPORT FOR



ID.	PART	DESCRIPTION	QTY.	REF.:
1		License support	1	CONJUNTO--9994N
2		M6x15 DIN1001 screw (black)	2	TORNI-I7380-403
3		M6 DIN9021 washer (black)	2	ARANDPD9021-037
4		M6 DIN6923 nut (black)	2	TUERCAEM6G-0213
5		Plastic border	1	RIBETEAHP--0900H
6		Plastic bridle	5	BRIDAN100X2'5-N
7		Back light	1	5577N
8		Reflector	1	4481R

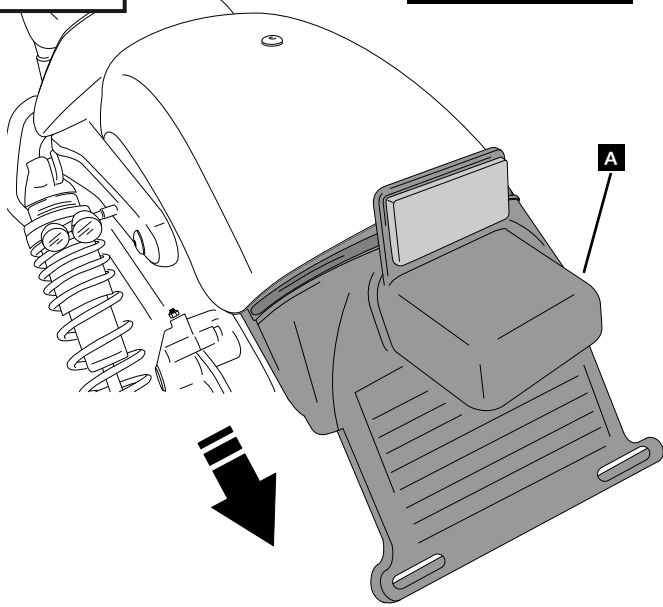
HARLEY DAVIDSON SPORTSTER 883 IRON '13-'18

MOUNTING INSTRUCTIONS

1

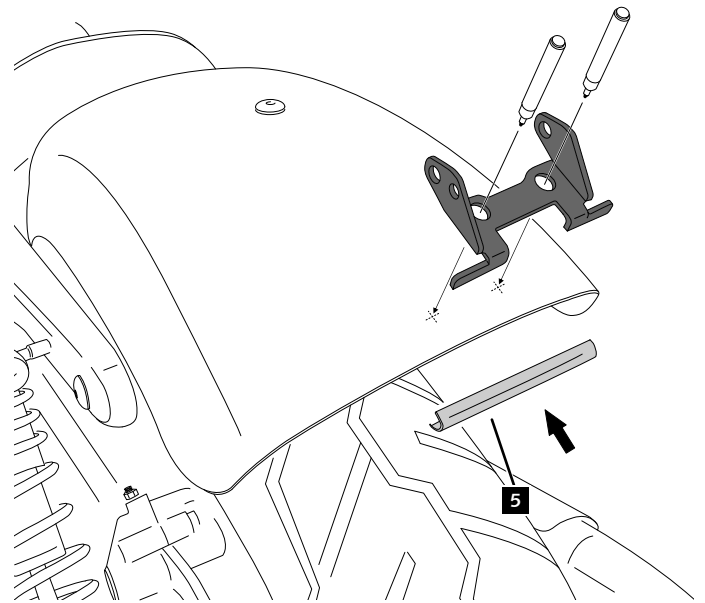
DISASSEMBLY

A Original license support



2

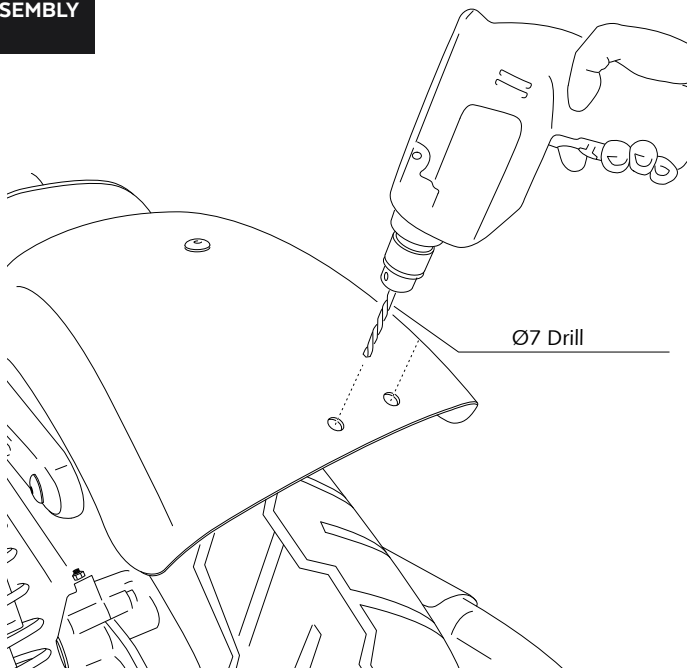
ASSEMBLY



3

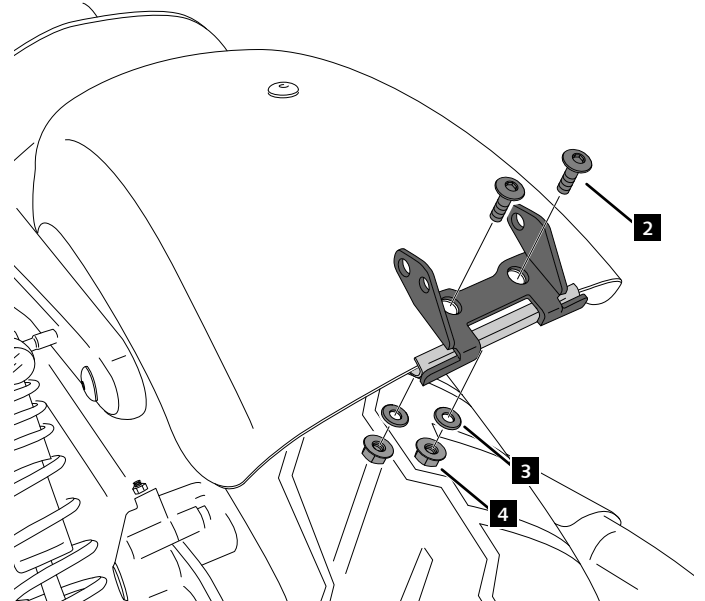
ASSEMBLY

Ø7 Drill



4

ASSEMBLY

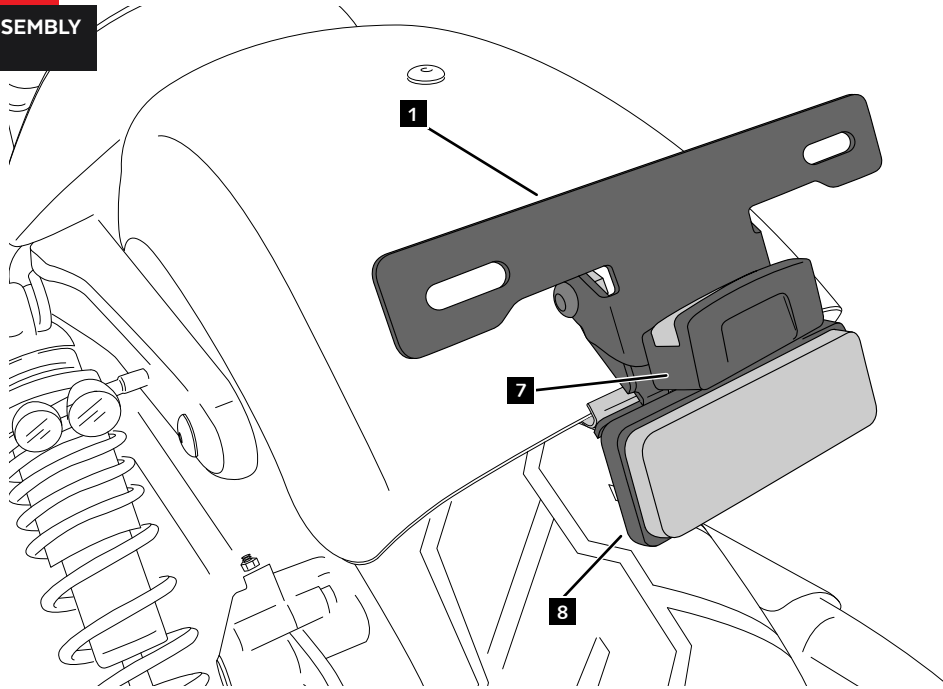


HARLEY DAVIDSON SPORTSTER 883 IRON '13-'18

MOUNTING INSTRUCTIONS

5

ASSEMBLY



Fixation license support rotation (2 OPTIONS A-B)

