



### PREVENTION

- Use water and neutral soap to clean the windshield.
- Check the tightening of the fasteners periodically.
- Park the scooter facing the sun, avoiding the sun-reflection effect that may damage some parts.
- Park if possible on even surfaces.

Thanks for your attention.

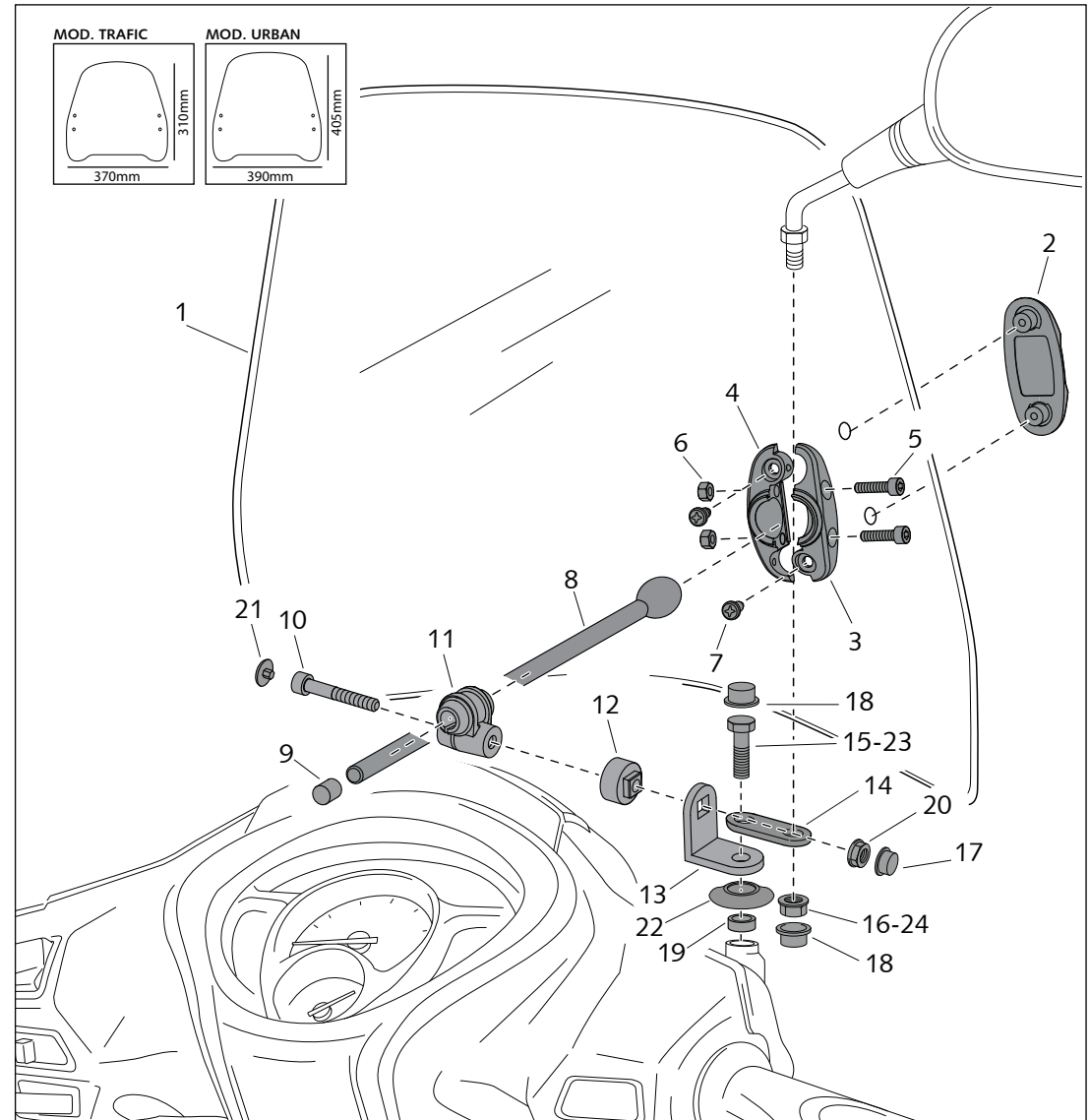
ID.	DESCRIPTION	QTY.
1	Windshield	1
2	Exterior cap	2
3	Ball bearing exterior support	2
4	Ball bearing interior support	2
5	M5x20 DIN912 allen screw	4
6	M5 DIN982 lock nut	4
7	M5x13 phillips screw	4
8	Straight rod Ø9x130	2
9	Final bar cap	2
10	M8x40 DIN912 screw	2
11	Rod guide support	2
12	Coupling angle	2
13	Angle Ref.582	2
14	Mirror support Ø10xØ10	2
15	M10/125x40 screw DIN931	1
16	M10/125 DIN934 nut	1
17	M8 flat nut cap	2
18	M10 cover	4
19	Ø10xØ16x20 spacer	2
20	M8 DIN6923 nut	2
21	M8 DIN912 screw cap	2
22	Below drill cover	2
23	M10/125x35 screw left thread	1
24	M10/125 DIN934 screw left thread	1

WINDSHIELD ADAPTABLE TO

## YAMAHA D'ELIGHT '17-

Mod.: TRAFIC  
Ref.: 9970

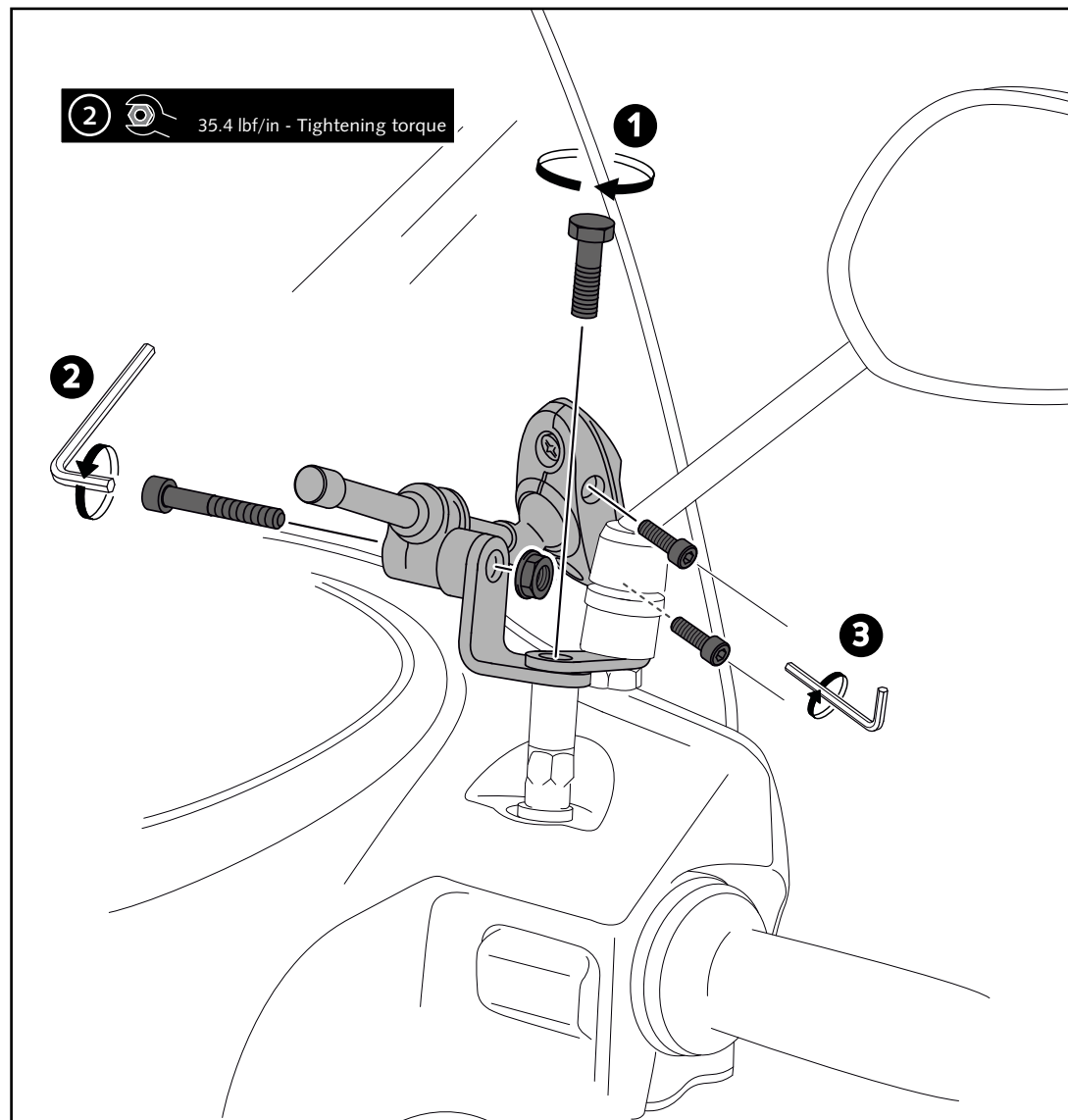
Mod.: URBAN  
Ref.: 9971



WINDSHIELD ADAPTABLE TO  
**YAMAHA D'ELIGHT '17-**

Mod.: TRAFIC  
Ref.: 9970

Mod.: URBAN  
Ref.: 9971



2 35.4 lbf/in - Tightening torque

1

2

3