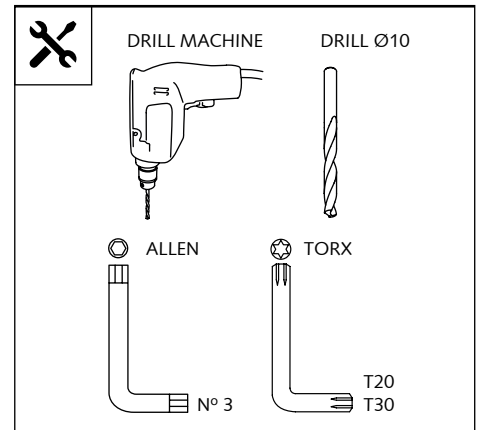
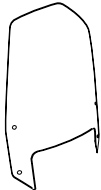







WINDSHIELD FOR
HUSQVARNA 701 '16-



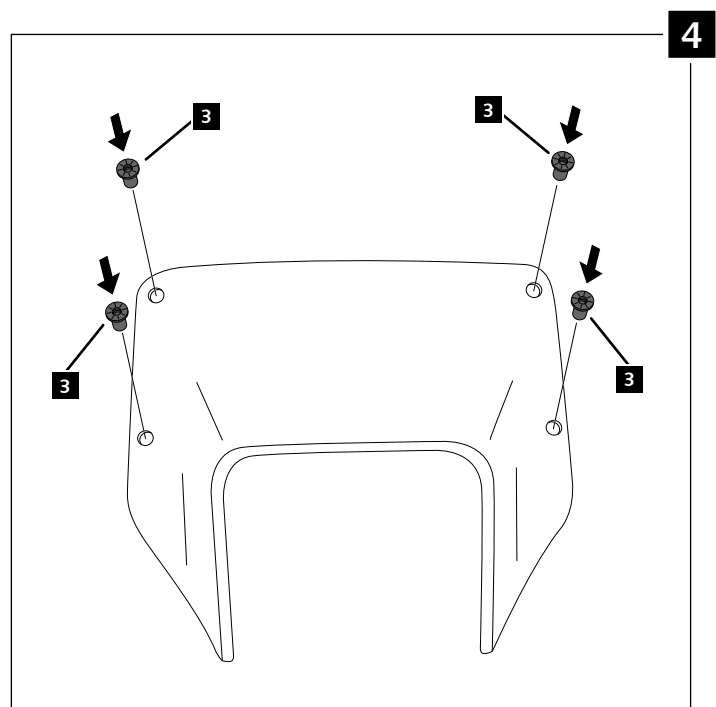
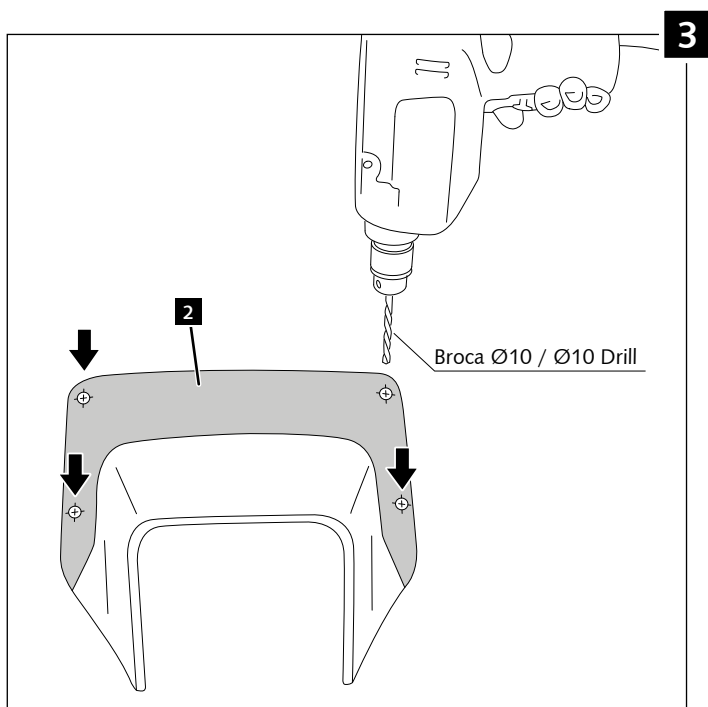
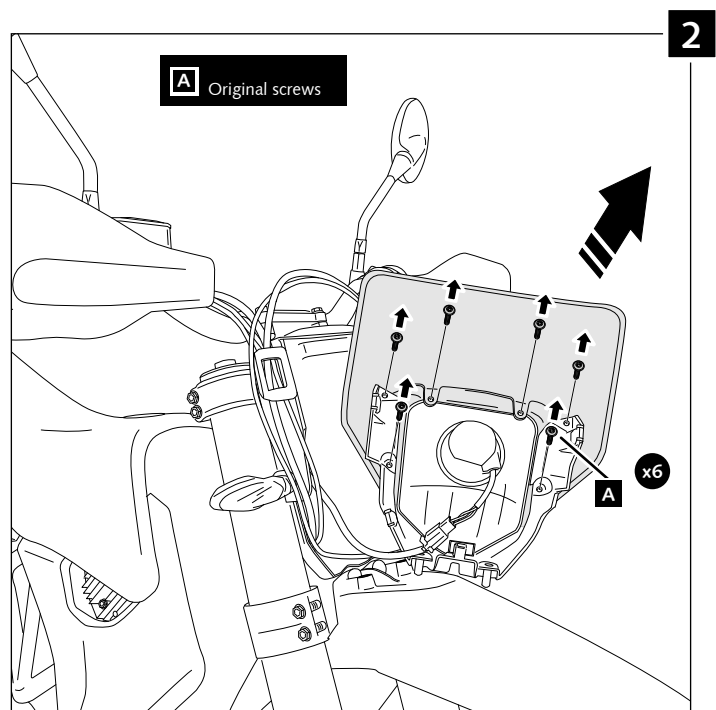
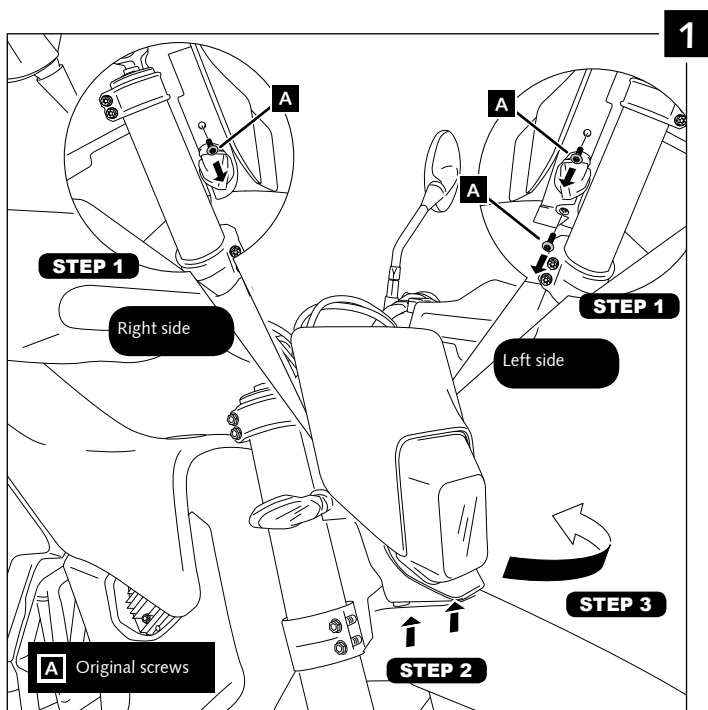
Ref.: 9867



ID.	PART	DESCRIPTION	QTY.	REF.:
1		Windshield	1	9867F/H/N/WM3
2		Template	1	PLANT-V1----9867
3		M5 Silentblock	4	SILENBTM5-046/1
4		M5x16 Ø11 screw ISO 7380	4	TORNI-I7380-493
5		M5x1 nylon washer	4	ARNV0000000245
6		M5 cap screw	4	TAPON-----85

WINDSHIELD FOR
HUSQVARNA 701 '16-

MOUNTING INSTRUCTIONS



WINDSHIELD FOR HUSQVARNA 701 '16-

MOUNTING INSTRUCTIONS

