

YAMAHA XSR900

REF 9168

ABS FRONT PLATE

REF 9806

ALUMINUM FRONT PLATE



1 Person



15 min



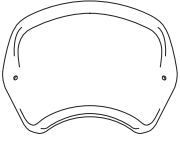
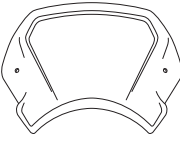










EASY



ALLEN

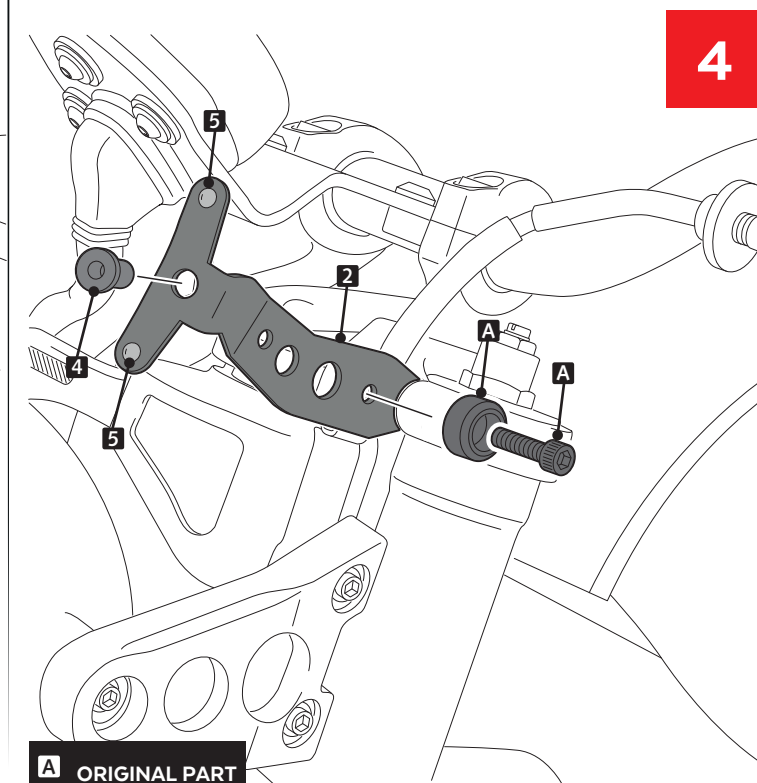
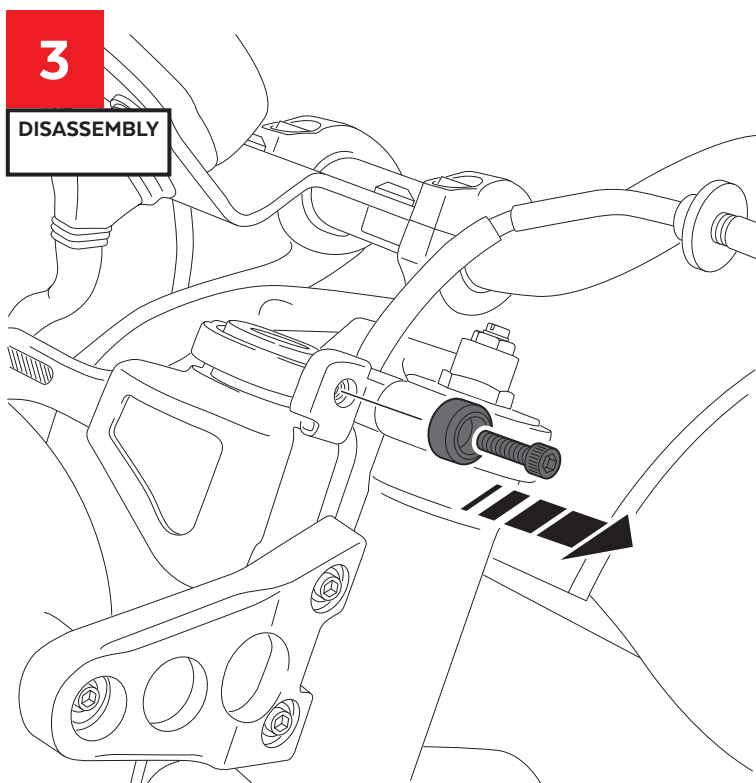
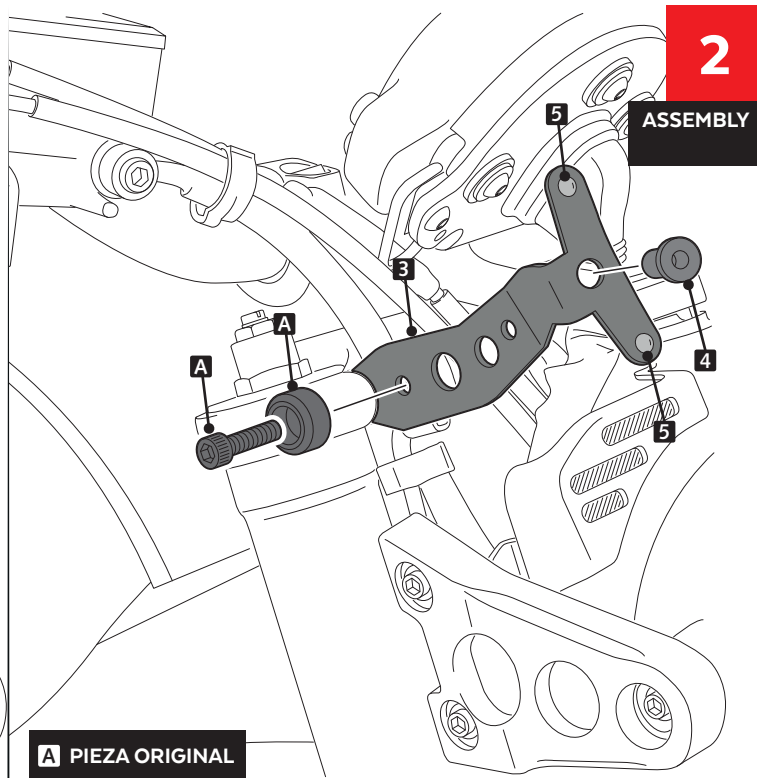
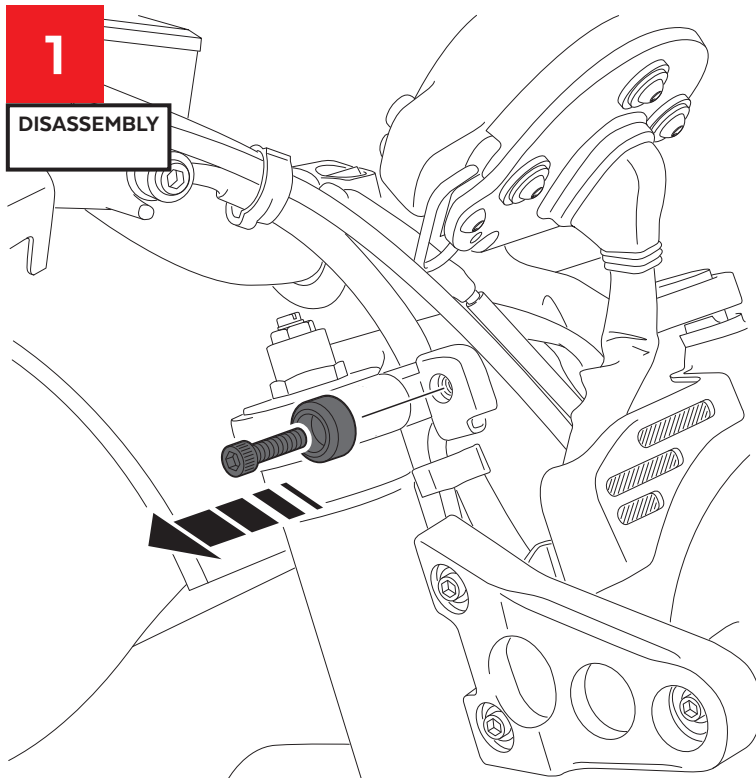
Nº 3
Nº 8



ID	PART	DESCRIPTION	QTY	REF
1		ABS front plate	1	10526J/CM3
		ALUMINUM front plate	1	9807P/N
2		Left support	1	SOPOR-2P-2-9168
3		Right support	1	SOPOR-2P-2-9168
4		M5 silentblock	2	SILENBTM5-046/1
5		Ø8 x 2 silicon spacers (se suministra montado con pieza 1/2)	4	ADHESI-GT-D8---
6		M5x16 ISO7380 Allen screw (inox)	2	TORNI-IA----423
7		M5x16 ISO7380 Allen screw (black)	2	TORNI-I7380-493
8		M5x1 nylon washer	2	ARNV0000000245
9		M5 screw cap	2	TAPON-----85
10		Sticker set	1	10535
11		6,2x2,6mm trim length 190mm *ONLY FOR ALUMINUM FRONT PLATE (REF:9807)	1	RIBETETP---0900

YAMAHA XSR900

MOUNTING INSTRUCTIONS



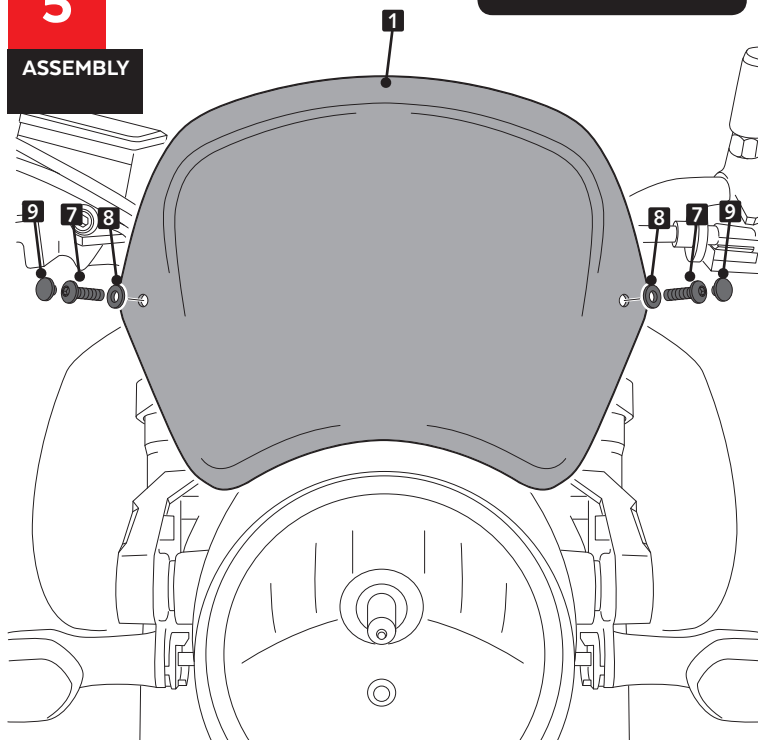
YAMAHA XSR900

MOUNTING INSTRUCTIONS

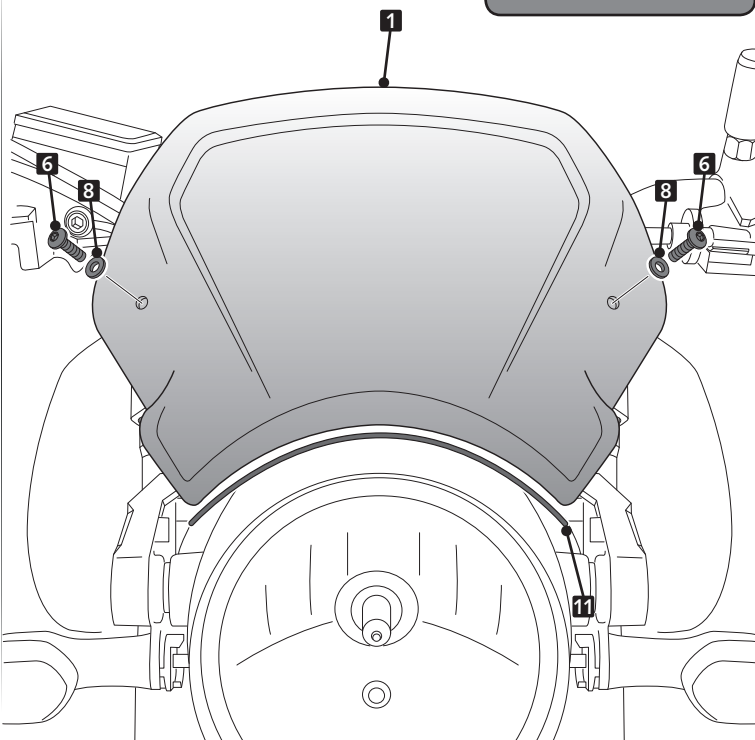
5

ASSEMBLY

ABS



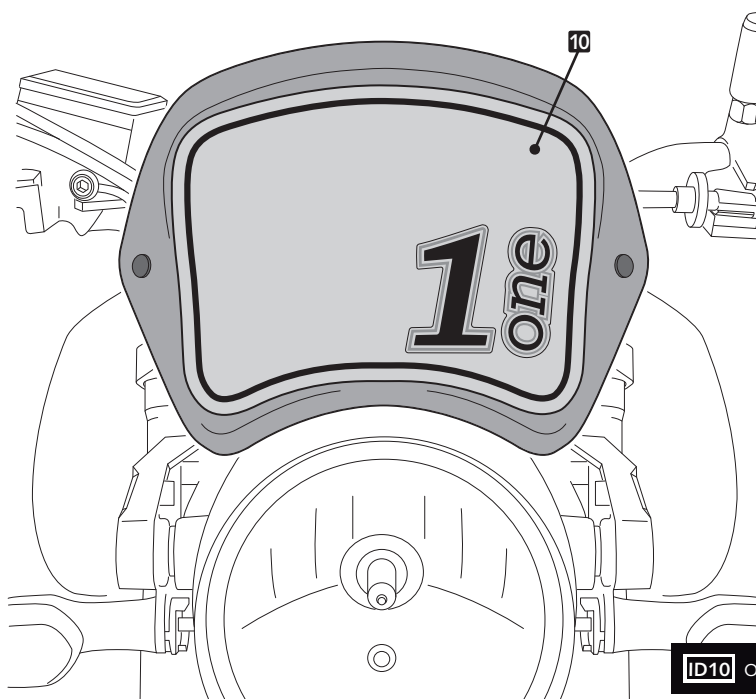
ALUMINIUM



6

STIKERS SET

ABS



ID10 ONLY SUPPLIED WITH ABS FRONT PLATE