

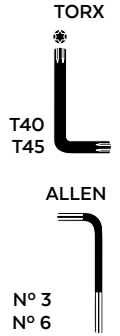
# BMW R NINE-T SCRAMBLER


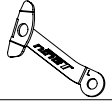
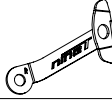

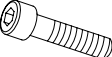
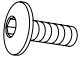


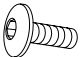



REF 9797

**ALUMINUM  
FRONT PLATE**

REF 9252

**ABS  
FRONT PLATE**



ID.	PART	DESCRIPTION	QTY.	REF.:
1		ABS front plate	1	10526J/CM3
		ALUMINUM front plate		9807P/N
2		Left support	1	SOPOR-2P-1-9252
3		Right support	1	SOPOR-2P-1-9252
4		M5 silentblock	2	SILENBTM5-046/1
5		Ø8,5xØ14x9mm spacer	2	CASQUI____0100
6		M8x35 DIN 912 allen screw	2	TORNI-AD912-196
7		M5x16 Ø11 ISO 7380 allen screw	2	TORNI-I7380-493
8		M5x1 nylon washer	2	ARNV0000000245
9		M5 screw cap	2	TAPON-----85
10		M5x16 Ø11 ISO 7380 allen screw (INOX)	2	TORNI-IA----423
11		Ø8 x2 silicon spacers (Supplied mounted on items 2/3)	4	ADHESI-GT-D8---
12		Selft-autoadhesive trim lenght 190mm, 6,2mm x 2,6mm *ONLY FOR ALUMINUM FRONT PLATE (REF:9807)	1	PERFIL-PVC-1048
13		Stickers set	1	10535

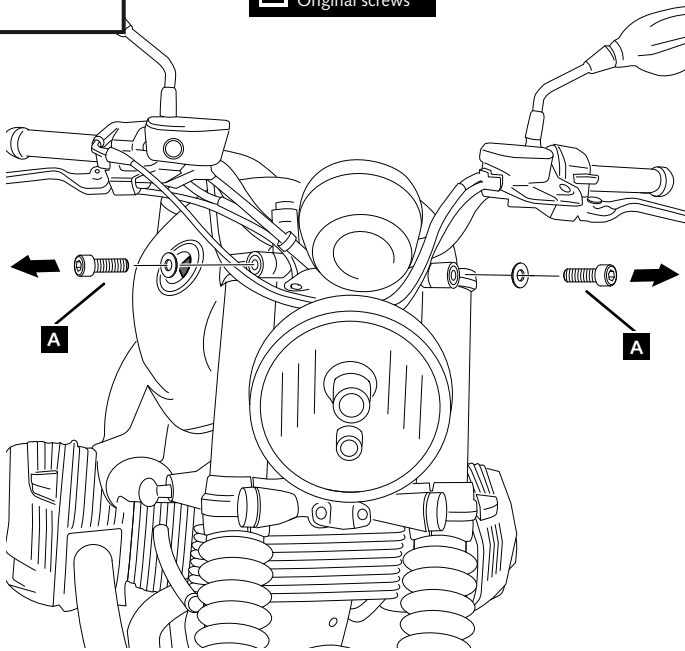
# BMW R NINE-T SCRAMBLER

INSTRUCCIONES DE MONTAJE - MOUNTING INSTRUCTIONS - MONTAGEANLEITUNG

**1**

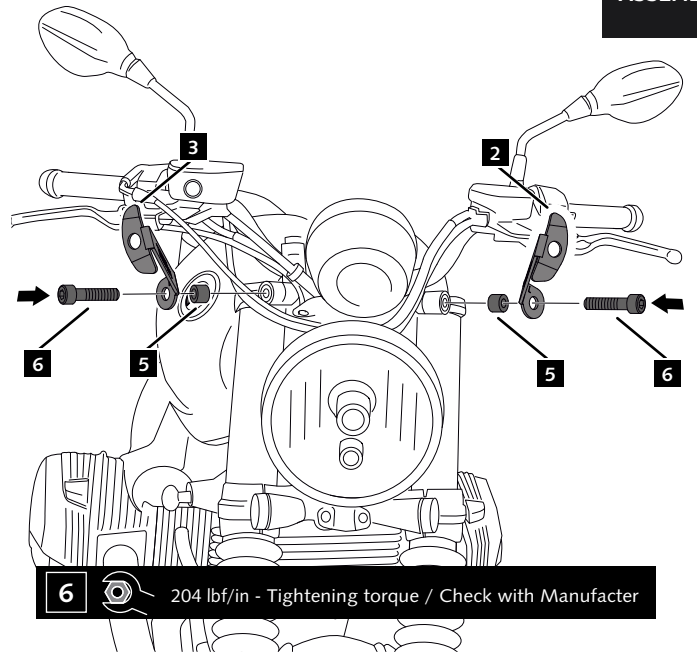
**DISASSEMBLY**

**A** Original screws



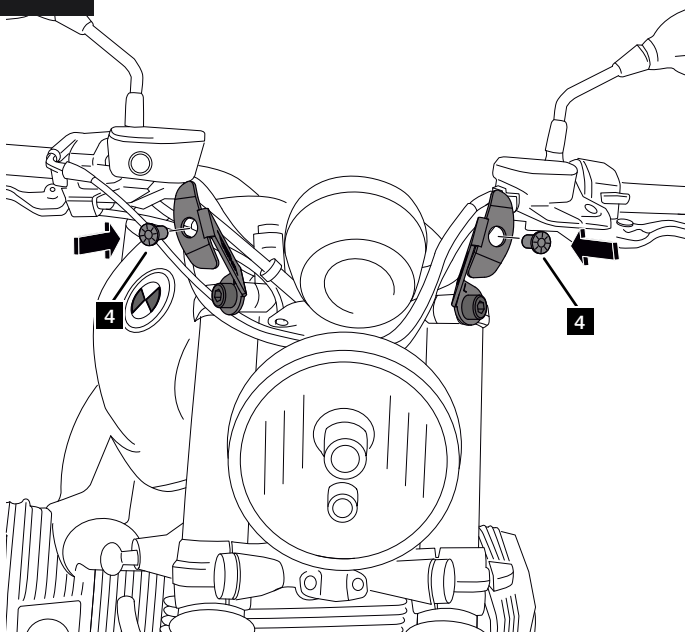
**2**

**ASSEMBLY**



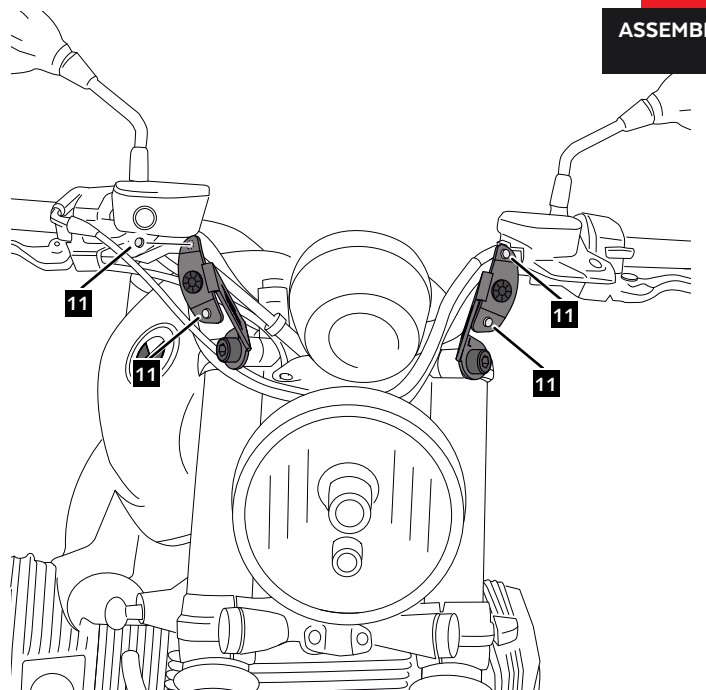
**3**

**ASSEMBLY**



**4**

**ASSEMBLY**

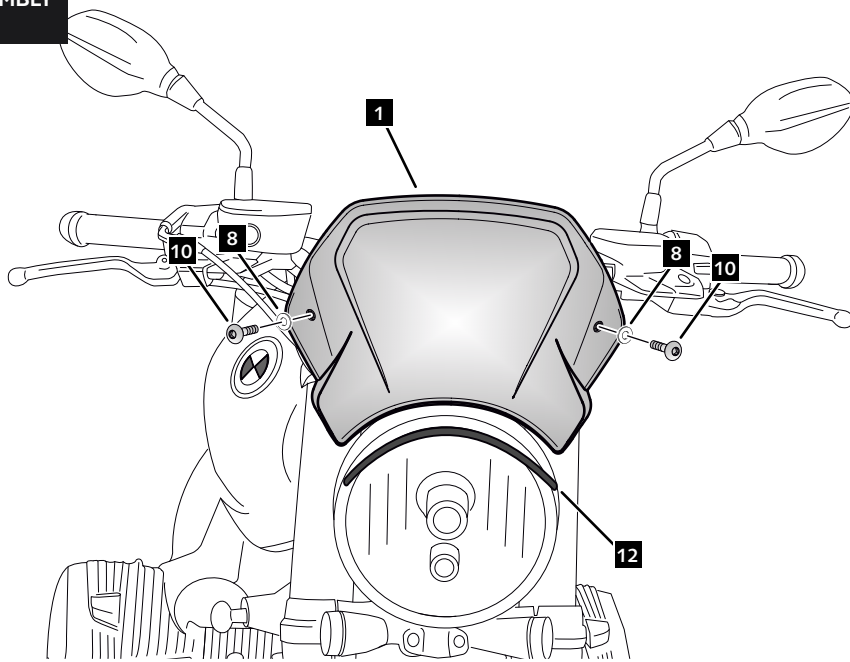


# BMW R NINE-T SCRAMBLER

## MOUNTING INSTRUCTIONS

**5**

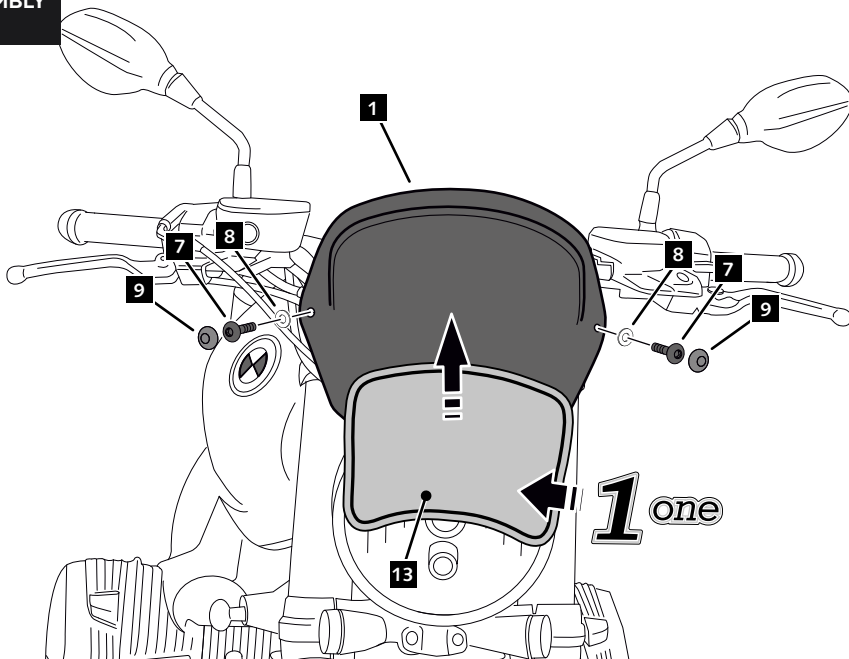
ASSEMBLY



**ALUMINUM**

**6**

ASSEMBLY



**ABS**

**ID13** ONLY SUPPLIED WITH ABS FRONT PLATE