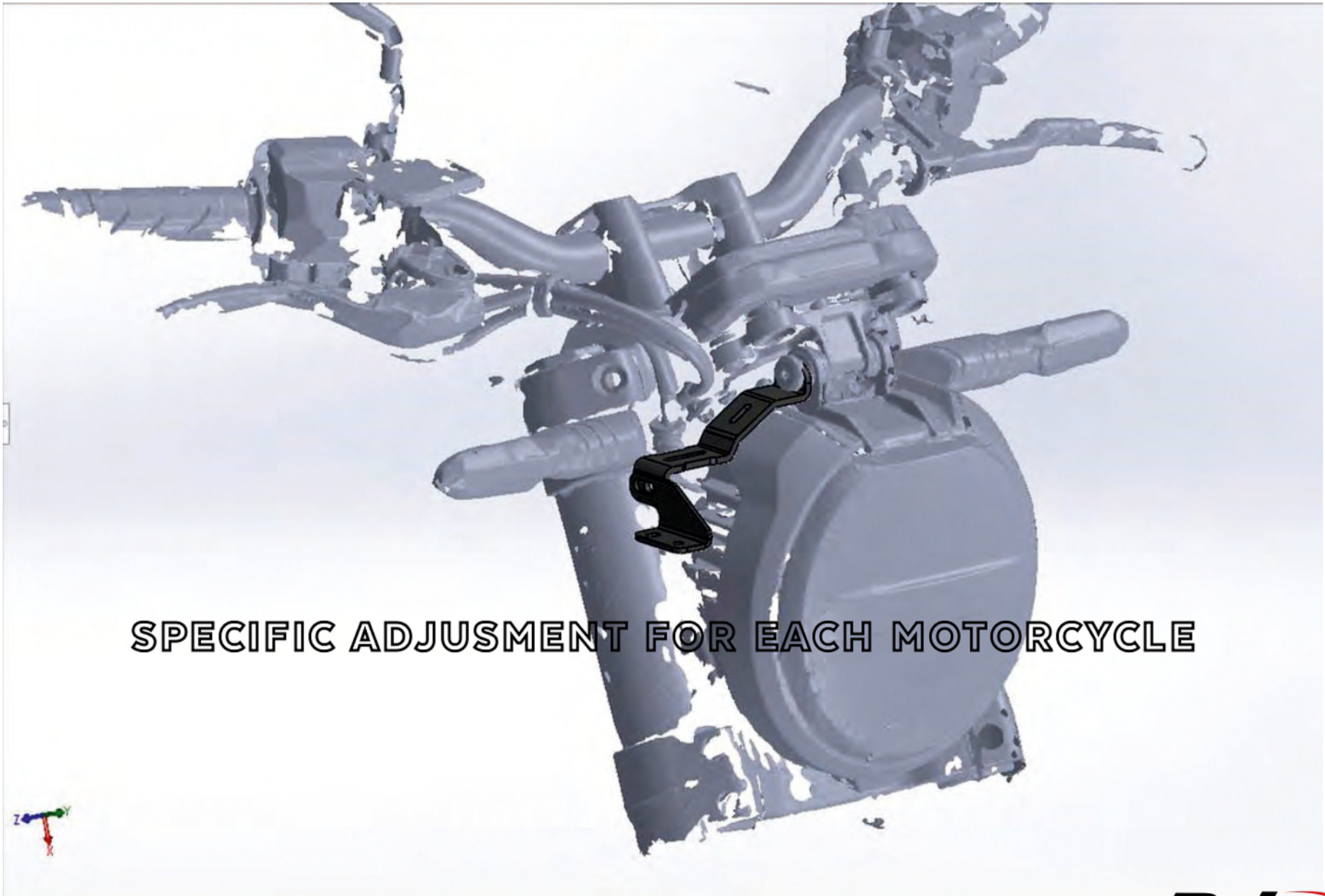


LED SPOTLIGHTS  
**SUPPORT**

# SUPPORT

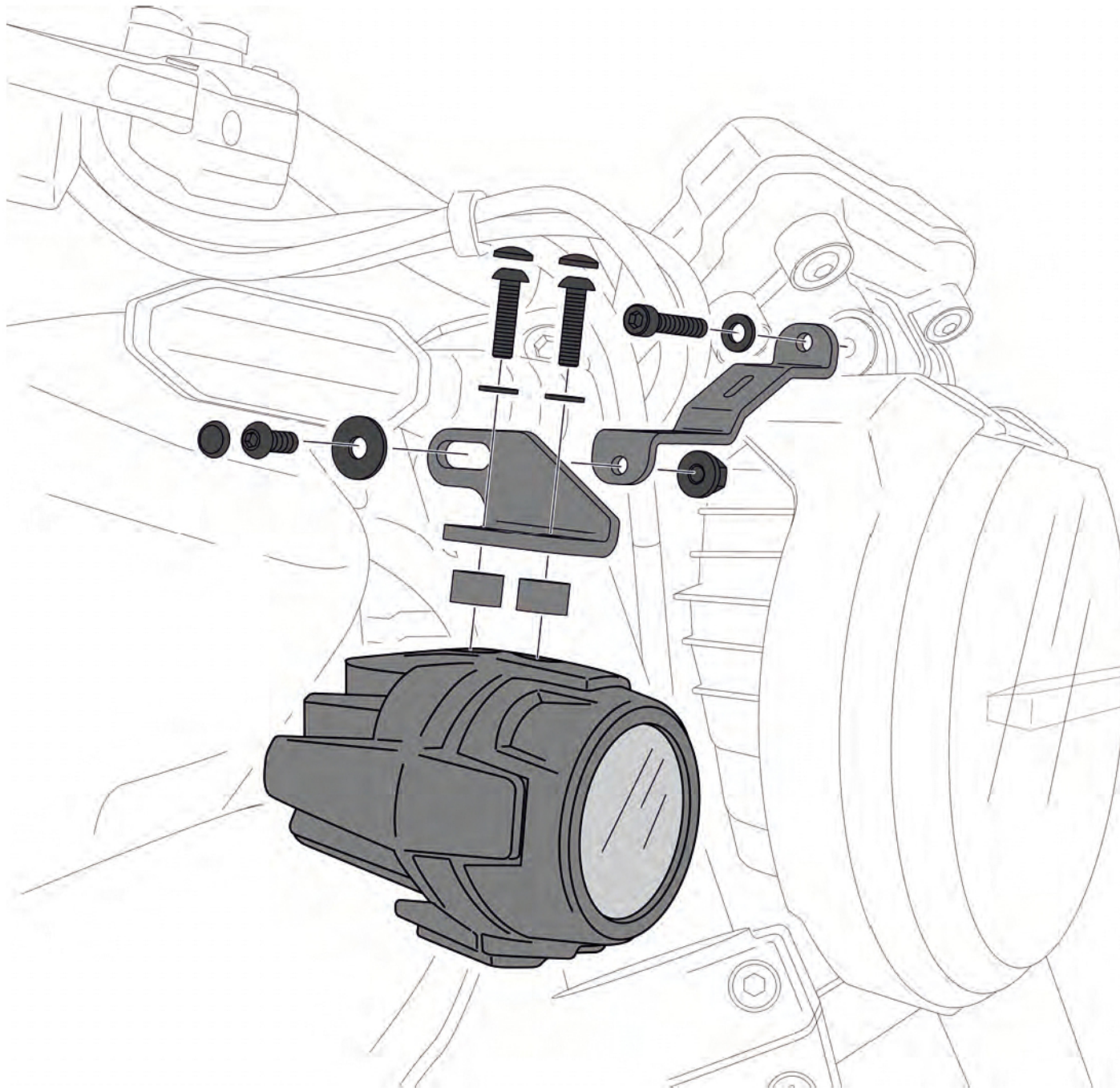
LED SPOTLIGHTS

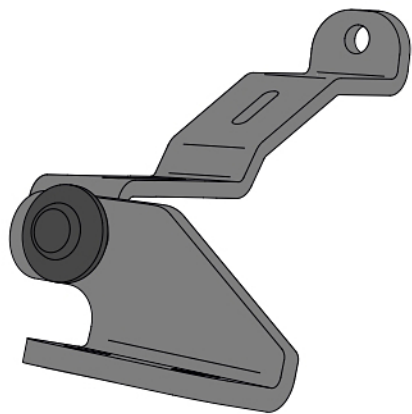




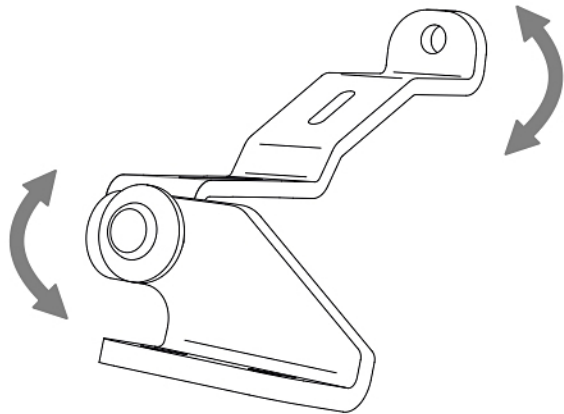
SPECIFIC ADJUSTMENT FOR EACH MOTORCYCLE







**MATERIAL**  
3mm plate steel with  
black epoxy paint



**ADJUSTABLE**  
Inclination and elevation

