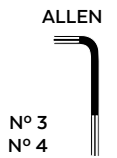
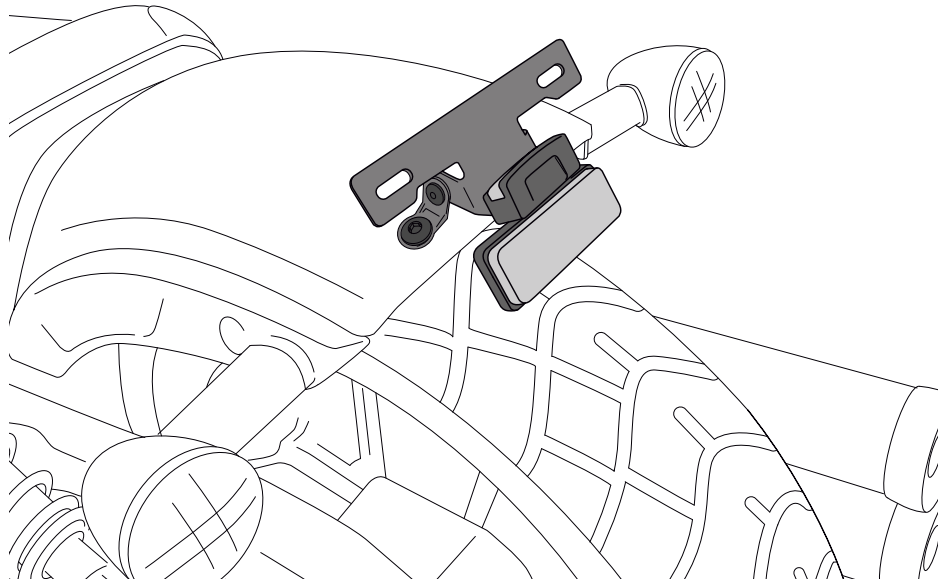


INDIAN SCOUT BOBBER

REF 9741N

LICENSE SUPORT FOR



ID.	PART	DESCRIPTION	QTY.	REF.:
1		License support	1	CONJUNTO--9994N
2		M6x15 DIN1001 screw (black)	2	TORNI-I7380-403
3		M6 DIN9021 washer (black)	2	ARANDPD9021-037
4		M6 DIN6923 nut (black)	2	TUERCAEM6G-0213
5		M6 Ø15 nylon washer	1	ARNV00000000247
6		Plastic bridle	5	BRIDAN100X2´5-N
7		Back light	1	5577N
8		Reflector	1	4481R

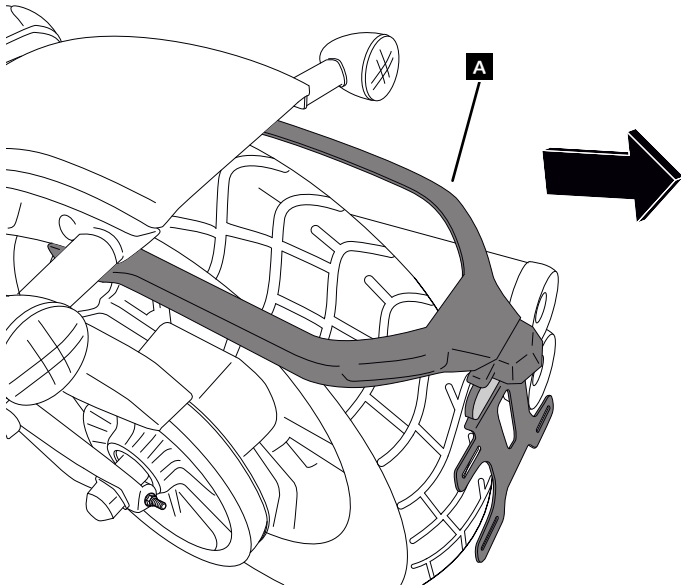
INDIAN SCOUT BOBBER

MOUNTING INSTRUCTIONS

1

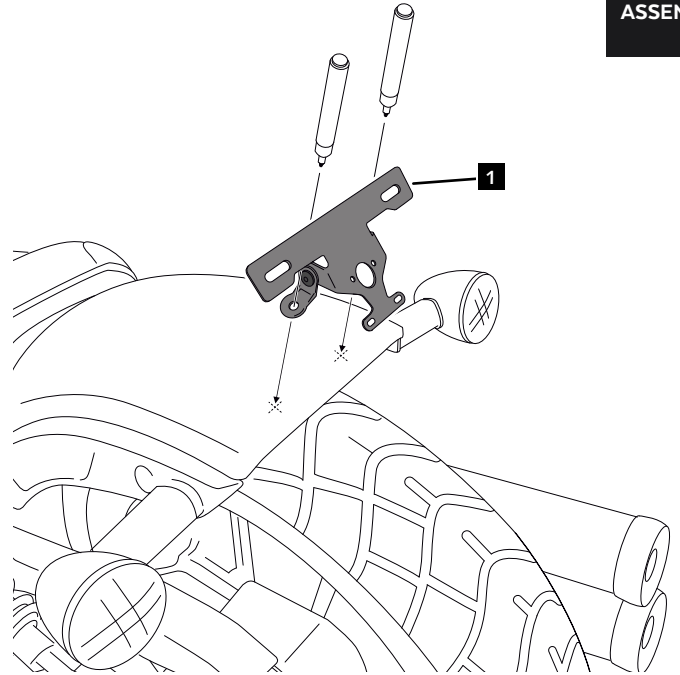
DISASSEMBLY

A Original license support



2

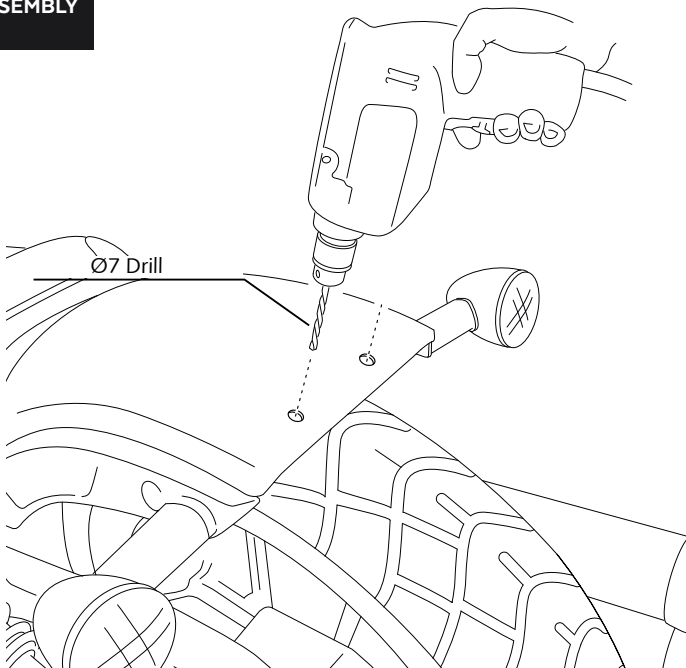
ASSEMBLY



3

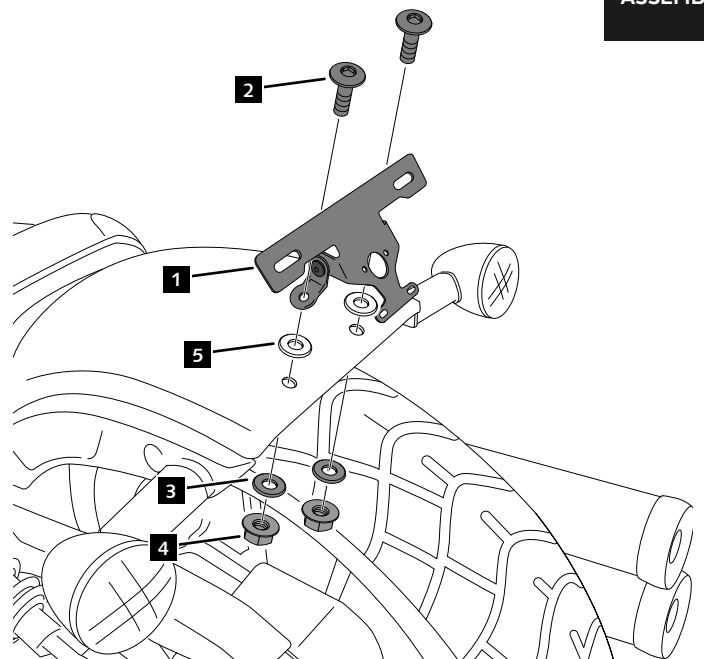
ASSEMBLY

Ø7 Drill



4

ASSEMBLY

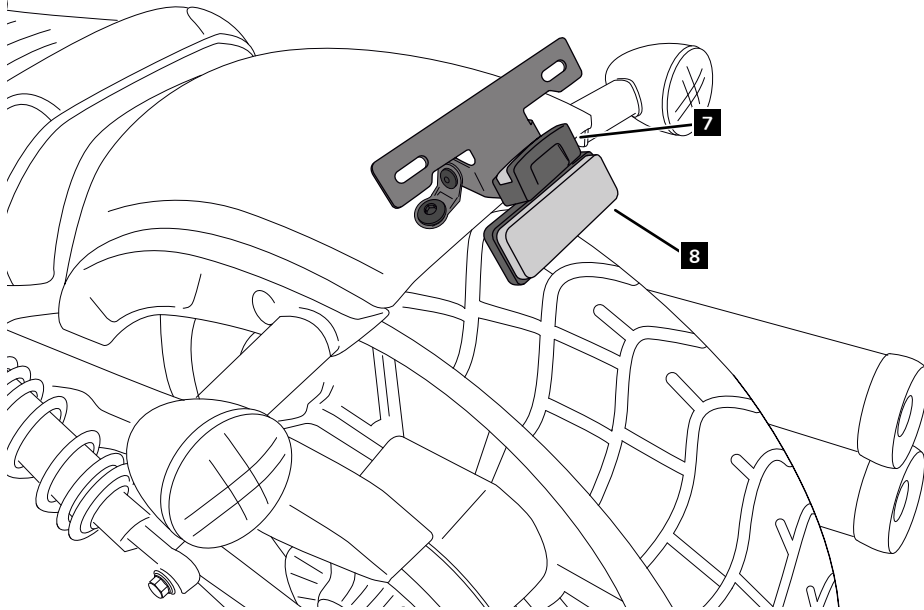


INDIAN SCOUT BOBBER

MOUNTING INSTRUCTIONS

5

**ASSEMBLY
MONTAJE**



Fixation license support rotation (2 OPTIONS A-B)

