

HONDA
CB125R '18 - / CB300R '18 -

REF 9734

WINDSHIELD
NEW GENERATION



ALLEN



N° 5
N° 4
N° 3

ID.	PART	DESCRIPTION	QTY.	REF.:
1		Sport screen	1	10639F/H/N/WM3
2		Left support	1	SOPOR-2P-8-9734
3		Right support	1	SOPOR-2P-8-9734
4		Ø8xØ13x12 bush	2	CASQUI-M----769
5		M5x30 Ø11 ISO7380 allen screw	2	TORNI-I7380-767
6		Ø8,5xØ14x22 bush	2	CASQUI-----150
7		M5x40 Ø11 ISO7380 allen screw	2	TORNI-I7380-774
8		M5 silentblock	4	SILENBTM5-046/1
9		M5x1 nylon washer	4	ARNV0000000245
10		M5x16 Ø11 ISO7380 allen screw	4	TORNI-I7380-493
11		M5 ISO7380 screw cap	4	TAPON-----85

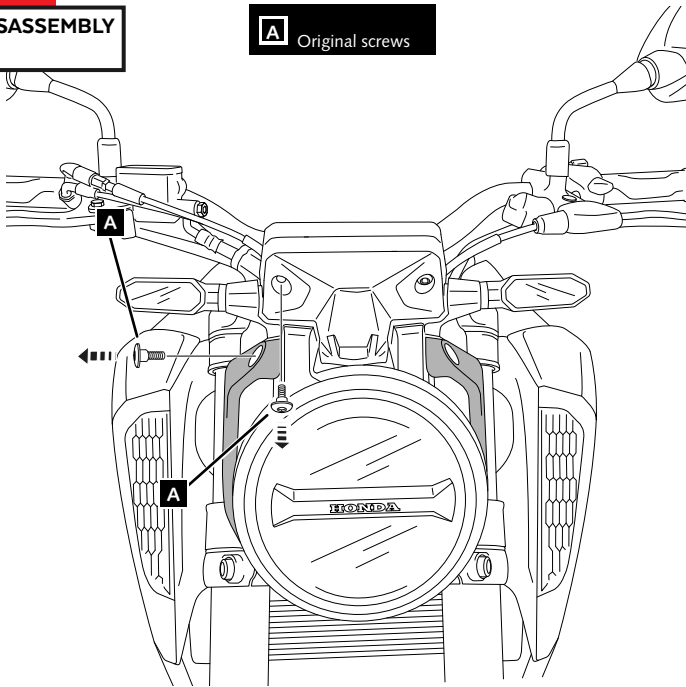
HONDA CB125R '18- / CB300R '18-

MOUNTING INSTRUCTIONS

1

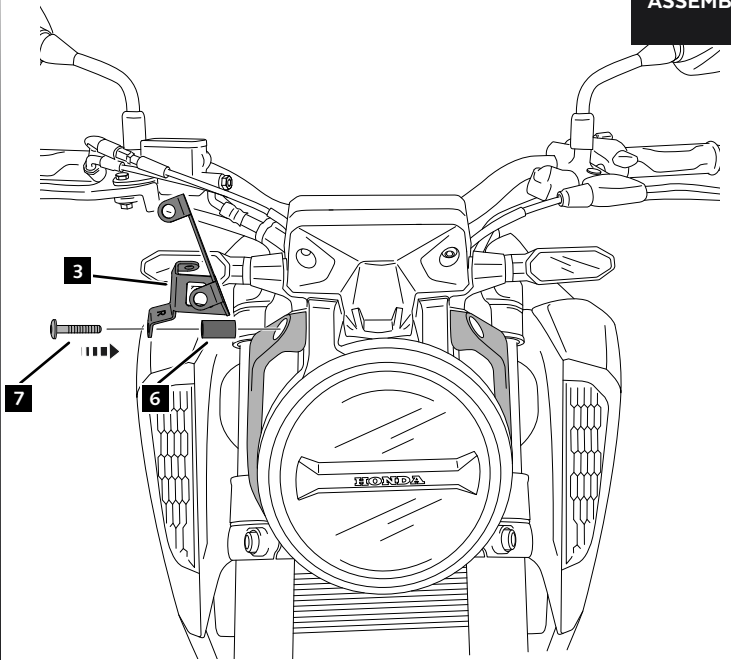
DISASSEMBLY

A Original screws



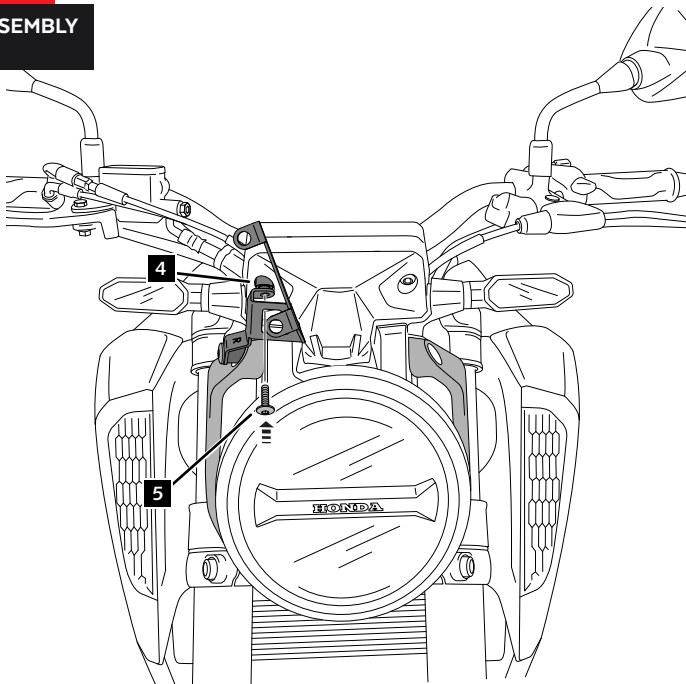
2

ASSEMBLY



3

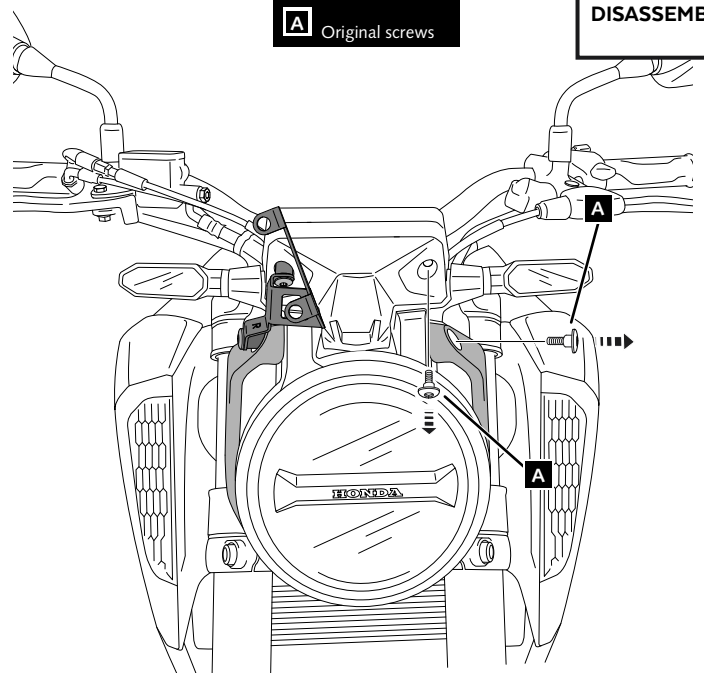
ASSEMBLY



4

DISASSEMBLY

A Original screws

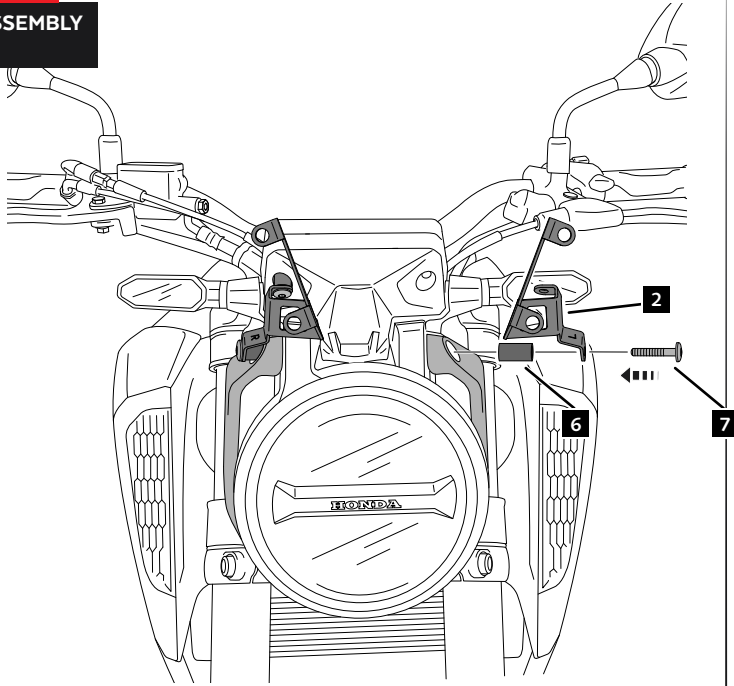


HONDA CB125R '18- / CB300R '18-

MOUNTING INSTRUCTIONS

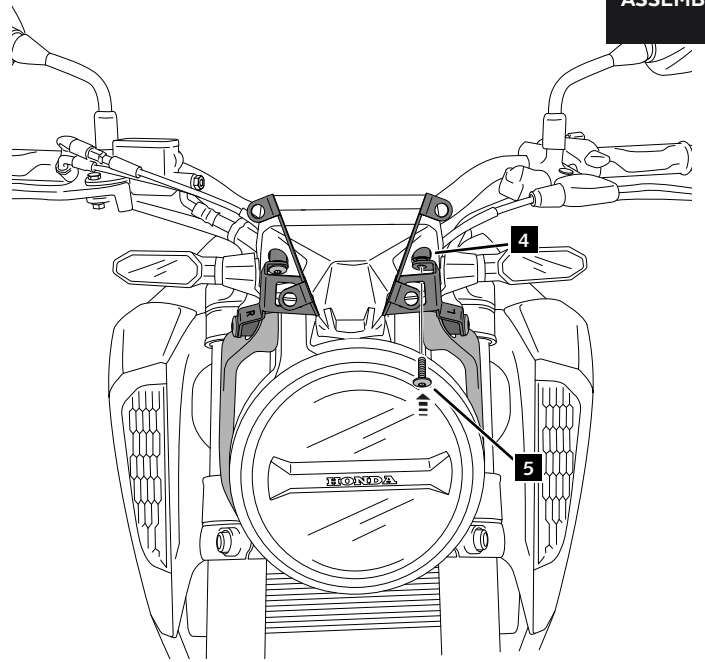
5

ASSEMBLY



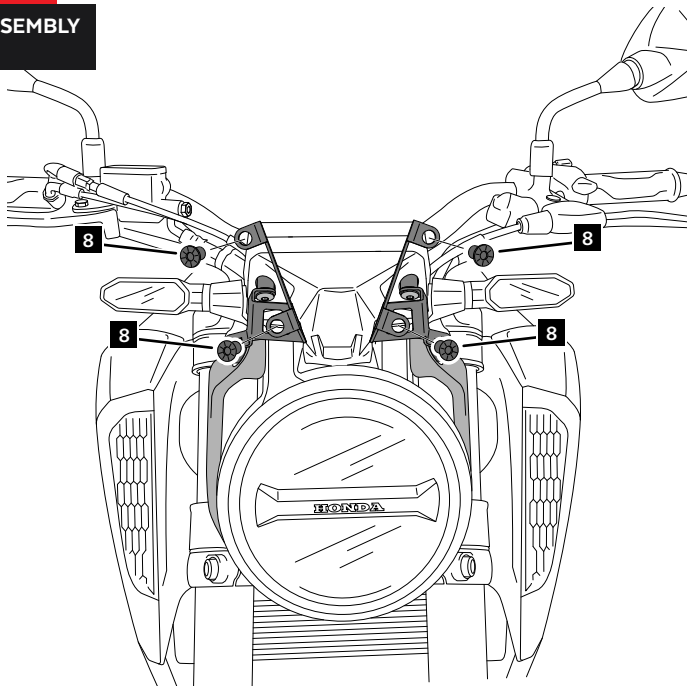
6

ASSEMBLY



7

ASSEMBLY



8

ASSEMBLY

