

**YAMAHA**  
**TRACER 900 '18- / 900GT '18-**

**REF 9727**

**HANDGUARDS EXTENSION**



1 Person



15 min



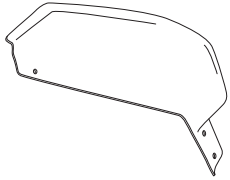
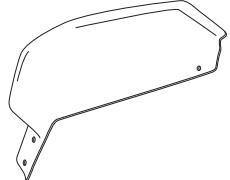

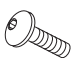



EASY



ALLEN

Nº 3  
Nº 4



ID	PART	DESCRIPTION	QTY	REF
1		Right original extension handguard	1	9727F/H/WM3
2		Left original extension handguard	1	9727F/H/WM3
3		Ø4,5 x Ø11 x 2mm rubber washer	4	ARAND-EPDM--722
4		Allen screw M5x20 ISO7380	4	TORNIAI7380-387
5		M5x1 nylon washer	4	ARNV00000000245
6		M5 ISO 7380 screw cap	4	TAPON-----85
7		Ø3,7-3,8 x 3,2mm bumper foot (supplied already mounted on item 1/2)	2	TOPE--POF-40022

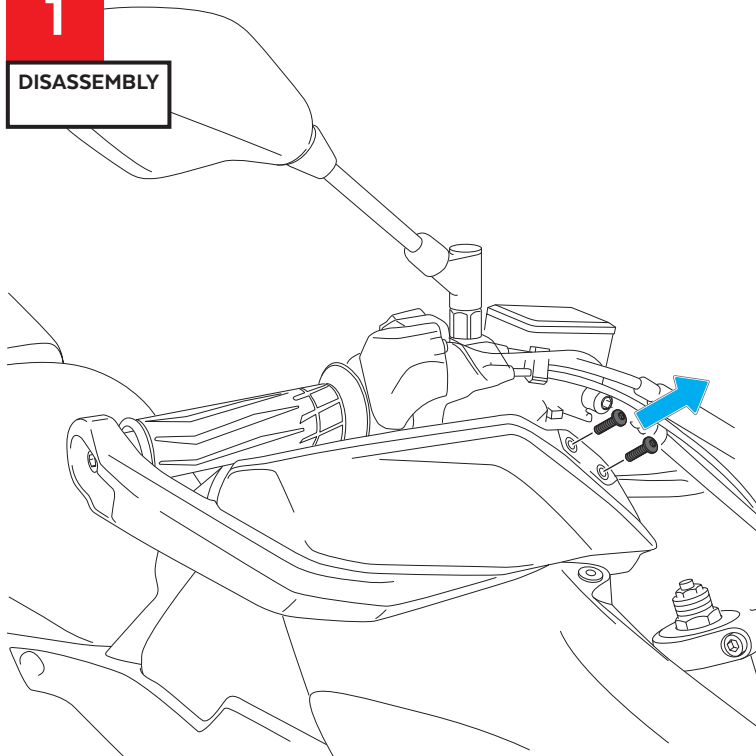
radius



ROUNDED CONTOUR-PROFILE

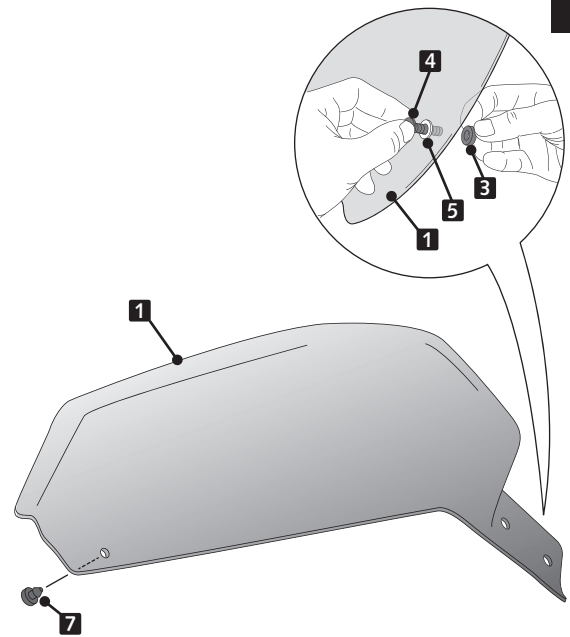
**1**

DISASSEMBLY



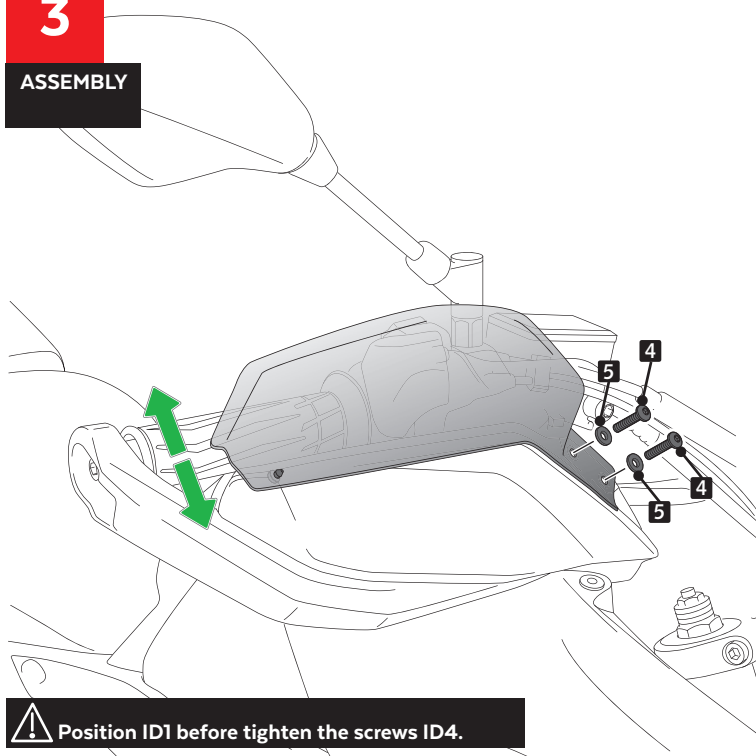
**2**

ASSEMBLY



**3**

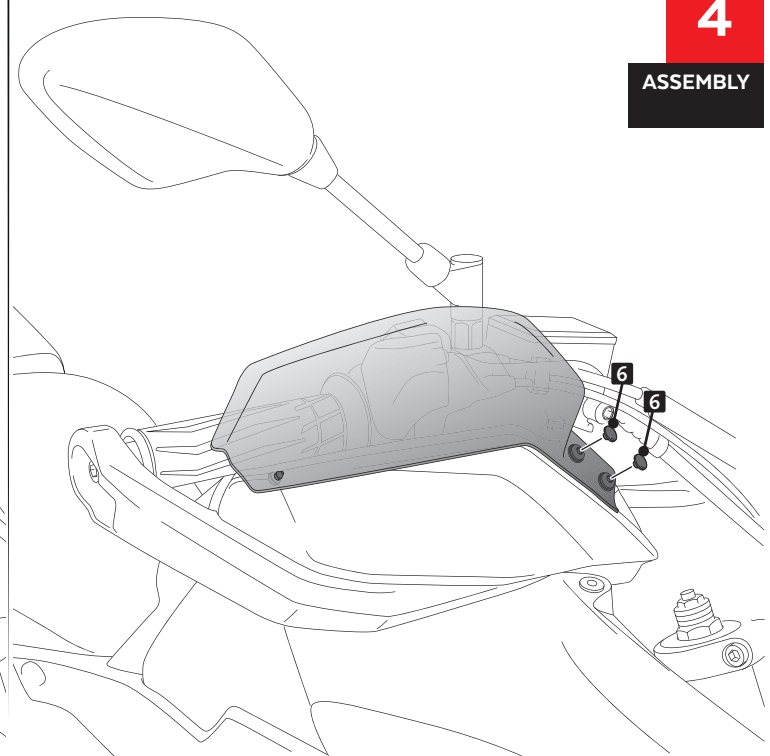
ASSEMBLY



⚠ Position ID1 before tighten the screws ID4.

**4**

ASSEMBLY

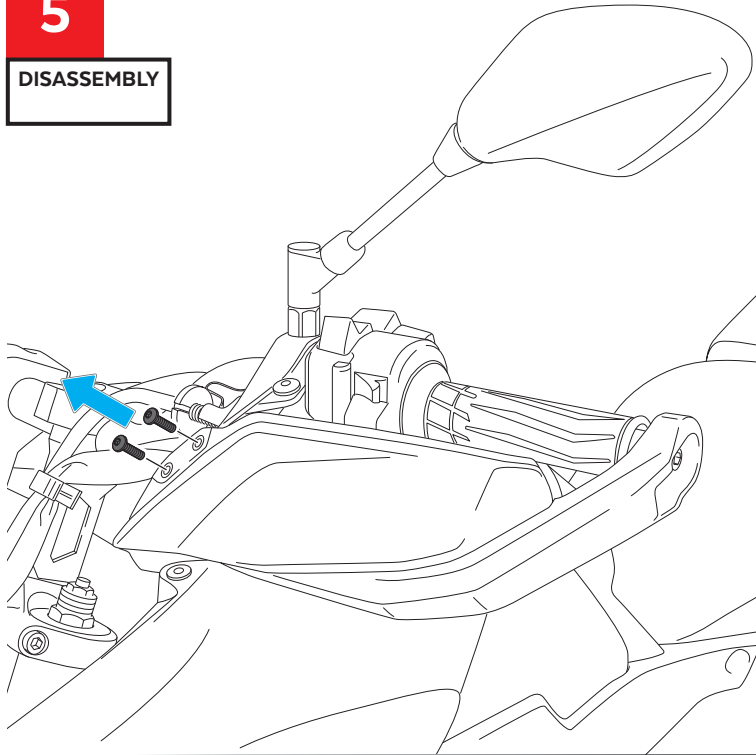


# YAMAHA TRACER 900 '18- / 900GT '18-

- MOUNTING INSTRUCTIONS -

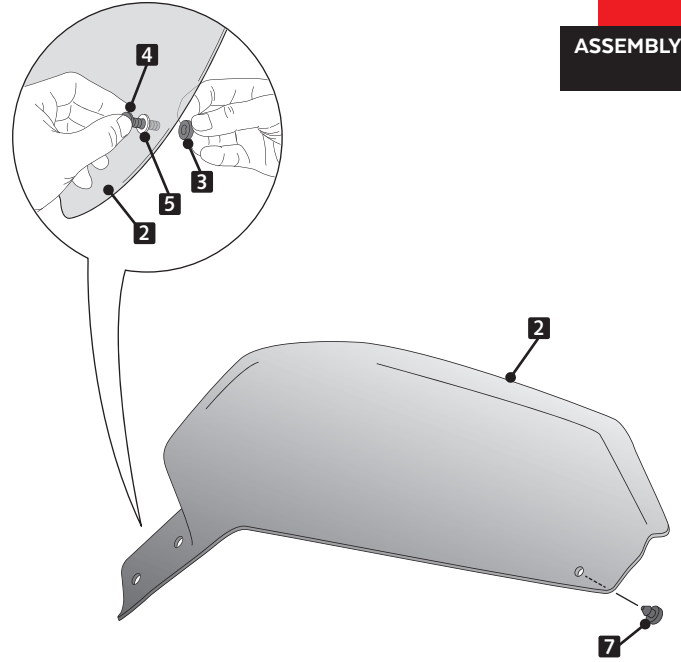
**5**

DISASSEMBLY



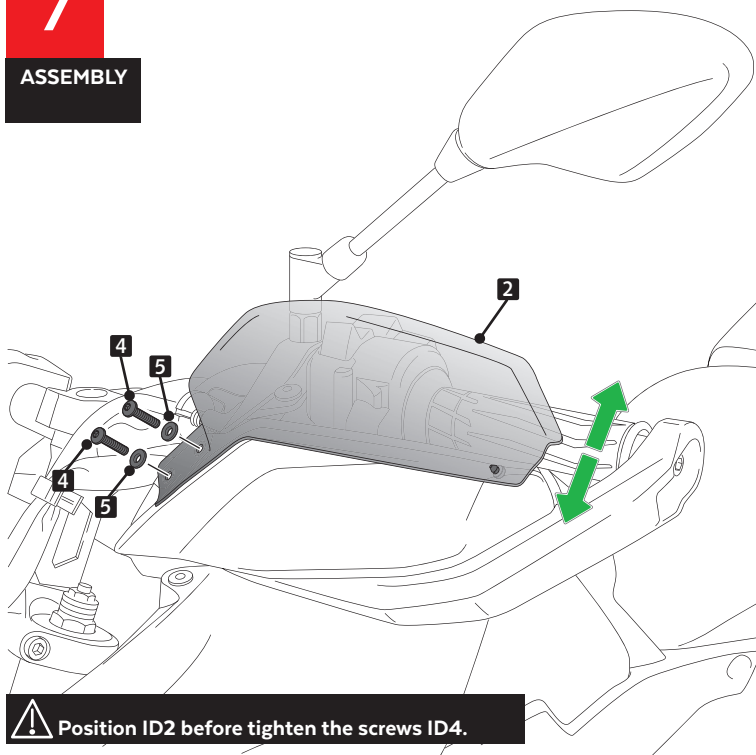
**6**

ASSEMBLY



**7**

ASSEMBLY



⚠ Position ID2 before tighten the screws ID4.

**8**

ASSEMBLY

