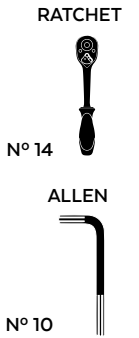


KAWASAKI NINJA H2SX '18-

REF 9708N

CRASH PADS FOR

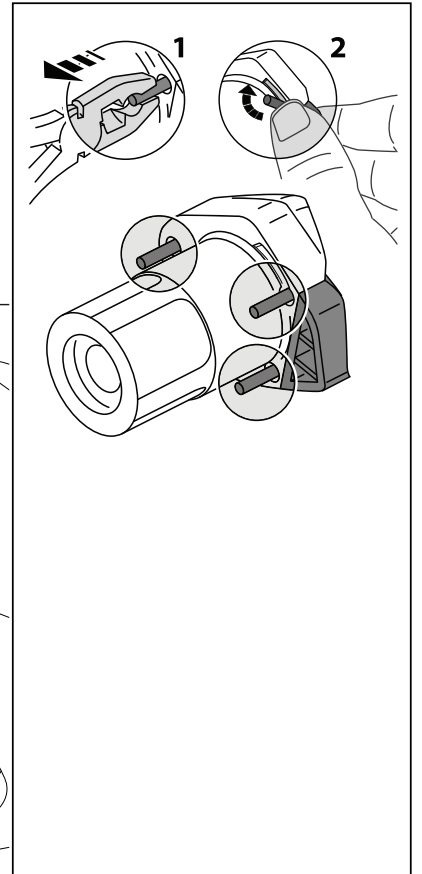
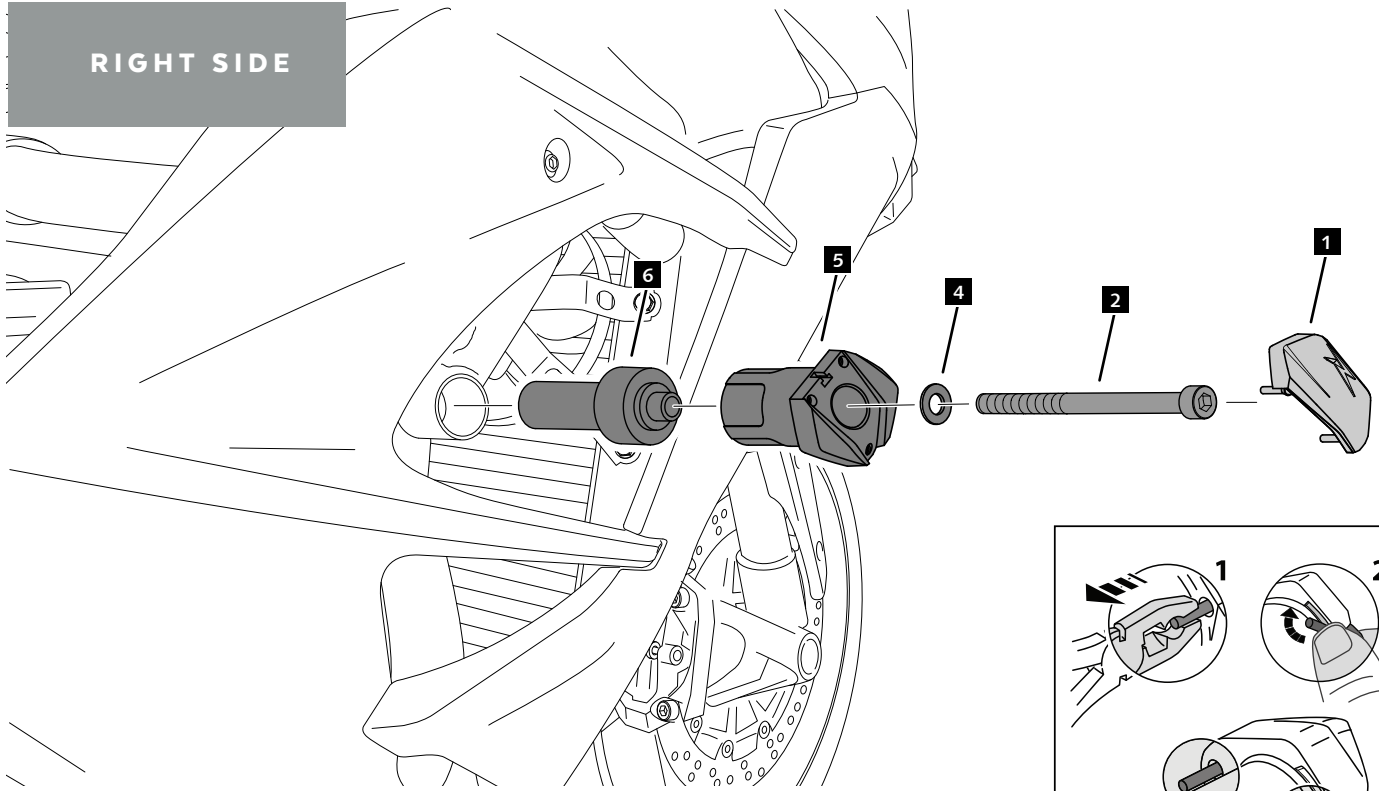


ID.	PART	DESCRIPTION	QTY.	REF.:
1		Plastic cap	2	CONGOMANPRO-R12
2		M10/125x120 DIN912 screw	1	TORNIAD912-452Z
3		M10/125x130 DIN912 screw	1	M2TM10125130A9B
4		M10 DIN125/A washer	2	M2AM10DIN125AZB
5		Nylon protector 85mm	2	PROTECNLR12-145
6		Right aluminium metal spacer (73mm)	1	CASQU445-0-1745
7		Left aluminium metal spacer (83mm)	1	CASQU446-0-1746

KAWASAKI NINJA H2SX '18-

MOUNTING INSTRUCTIONS

RIGHT SIDE



LEFT SIDE

