

DUCATI PANIGALE V2 '20- / V4 '18-'19 / V4 25 ANNIVERSARIO 916 '20-
/ V4 S '18-'19 / V4 CORSE '19-'20 / V4 SPECIALE '18-'19

REF 9690

R- RACER SCREEN



1 Person



45 min




MEDIUM

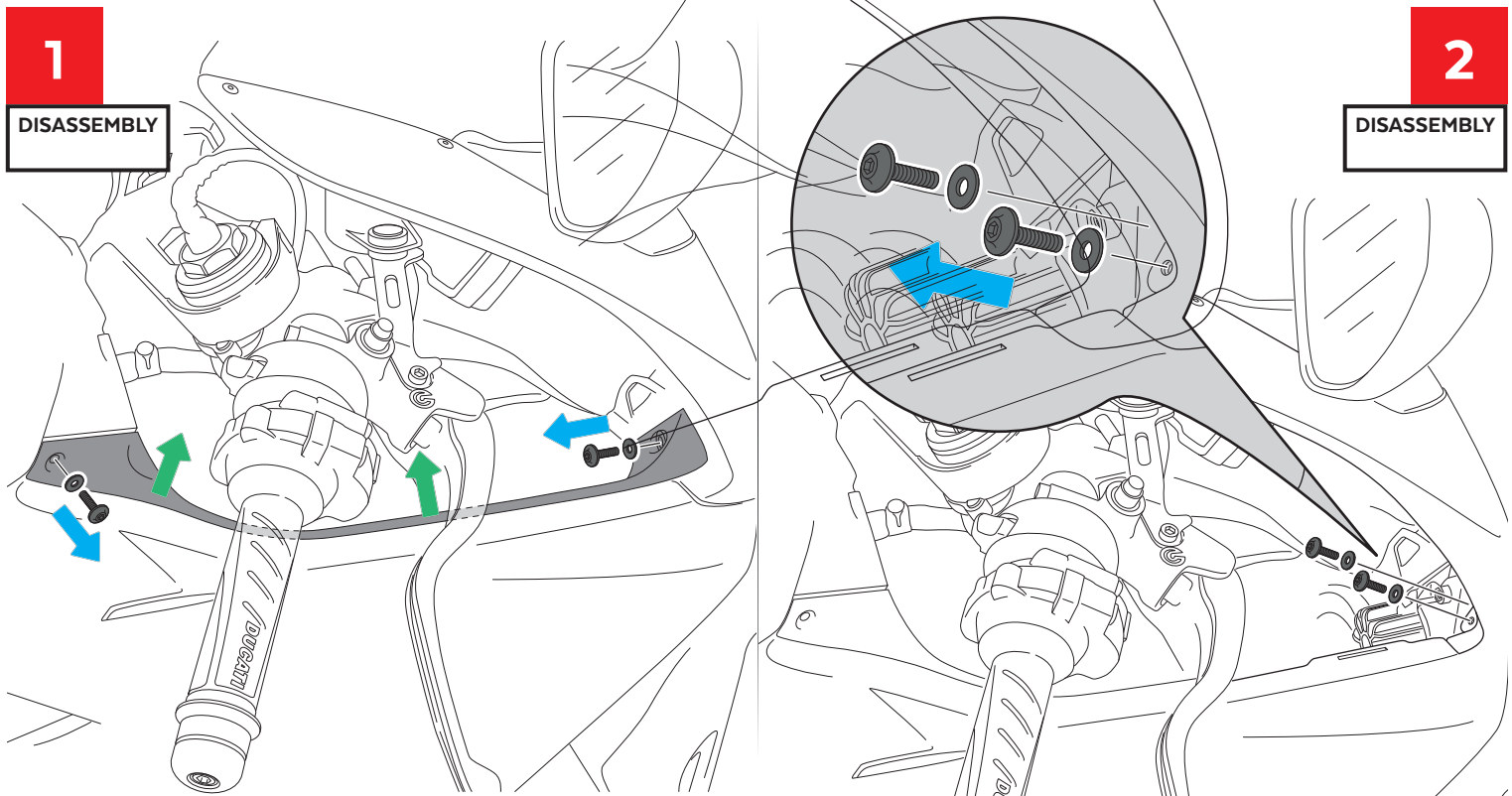


TORX T° 7



ALLEN N° 3
N° 4

ID	PART	DESCRIPTION	QTY	REF
1		Racing screen	1	9690F/H/R/W/NM3



1

DISASSEMBLY

2

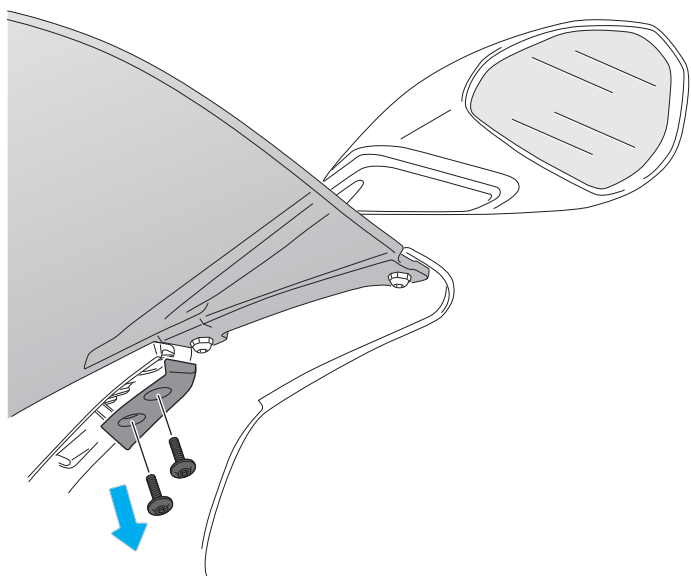
DISASSEMBLY

DUCATI PANIGALE V2 '20- / V4 '18-'19 / V4 25 ANNIVERSARIO 916 '20-
/ V4 S '18-'19 / V4 CORSE '19-'20 / V4 SPECIALE '18-'19

MOUNTING INSTRUCTIONS

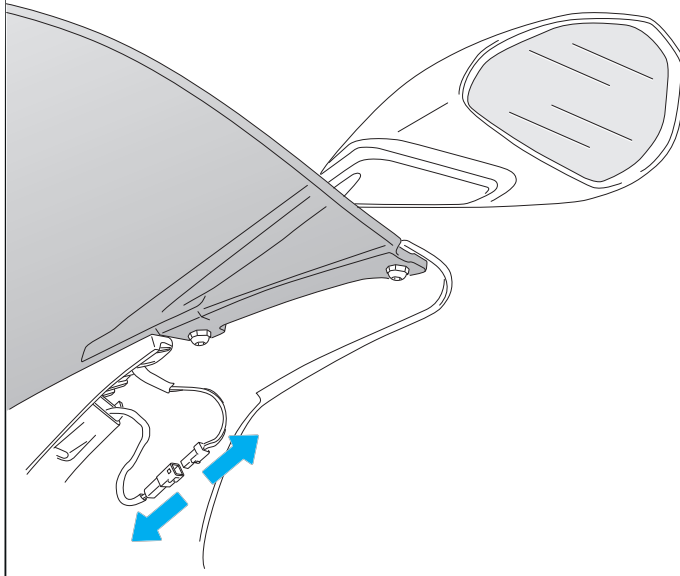
3

DISASSEMBLY



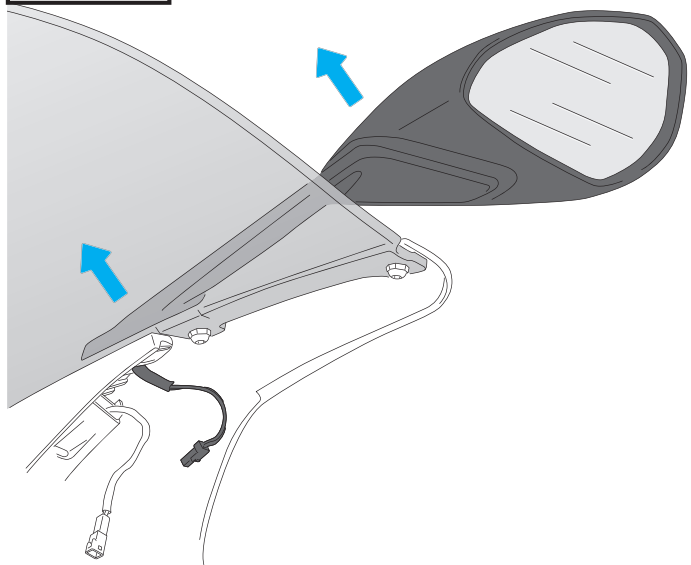
4

DISASSEMBLY



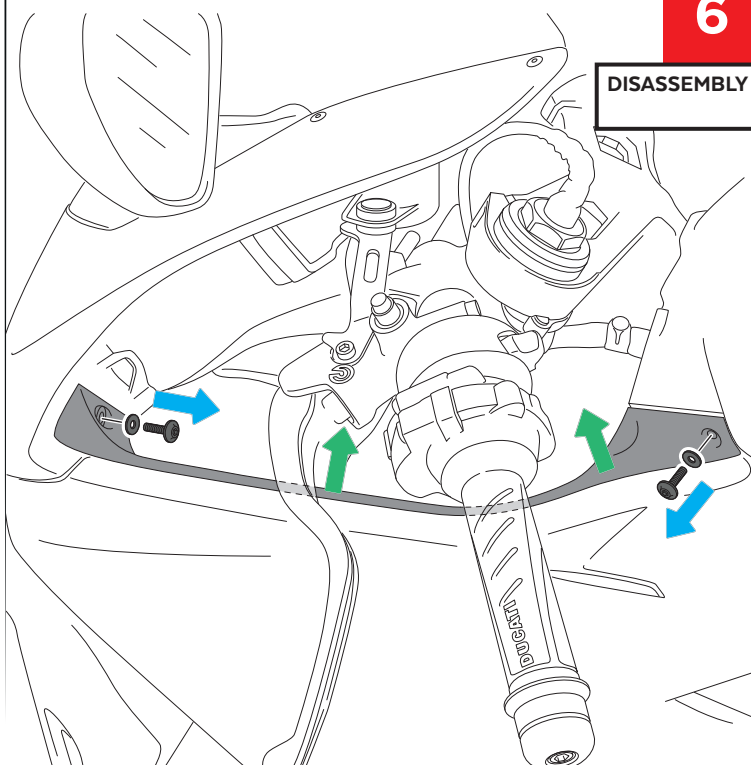
5

DISASSEMBLY



6

DISASSEMBLY

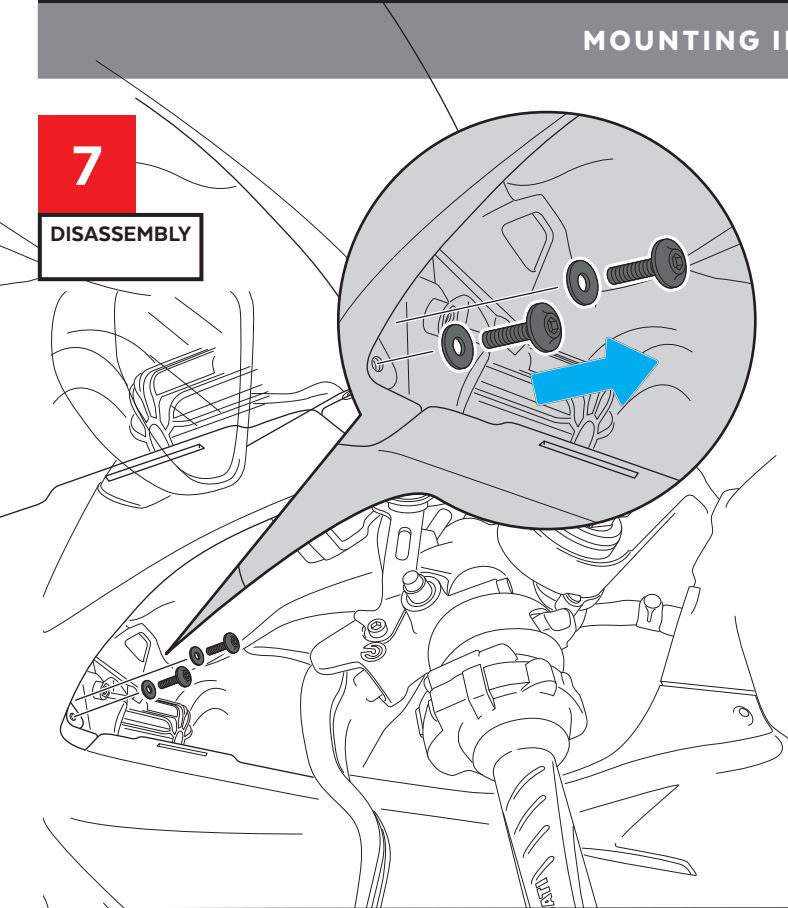


DUCATI PANIGALE V2 '20- / V4 '18-'19 / V4 25 ANNIVERSARIO 916 '20-
/ V4 S '18-'19 / V4 CORSE '19-'20 / V4 SPECIALE '18-'19

MOUNTING INSTRUCTIONS

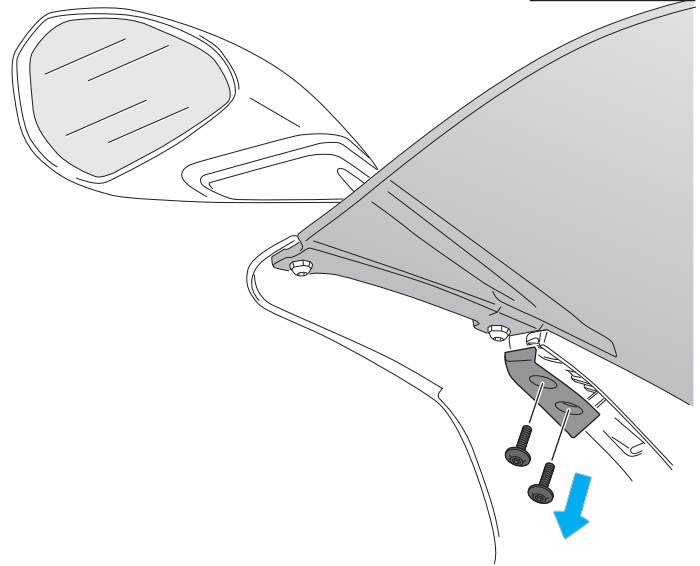
7

DISASSEMBLY



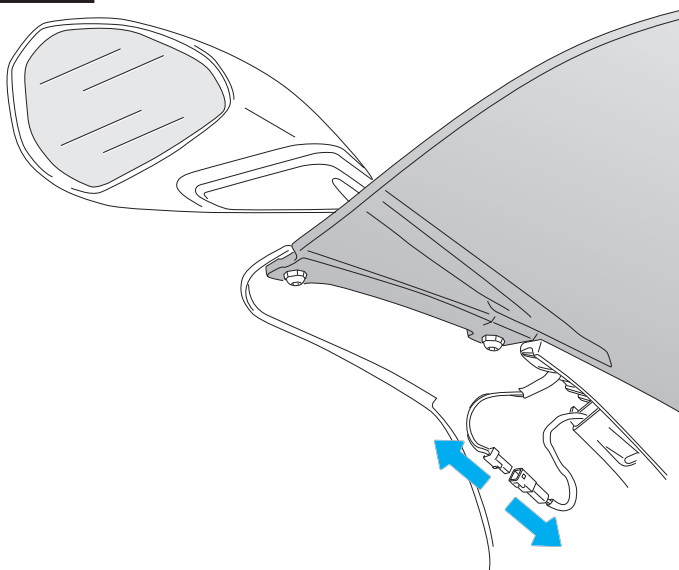
8

DISASSEMBLY



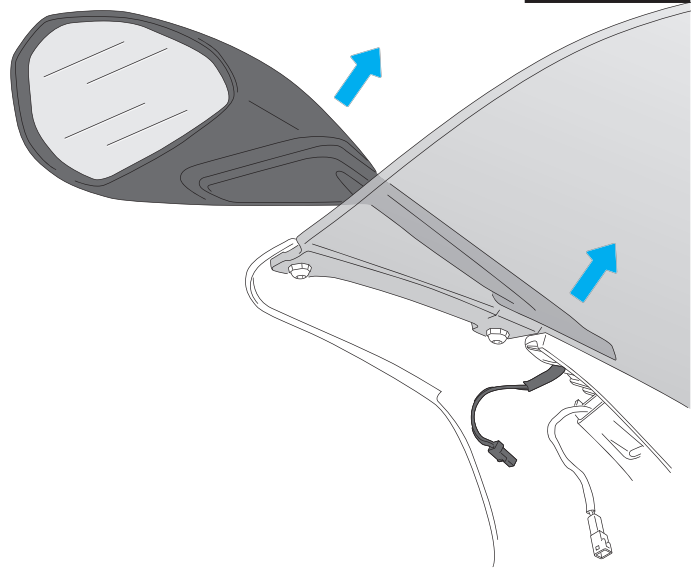
9

DISASSEMBLY



10

DISASSEMBLY

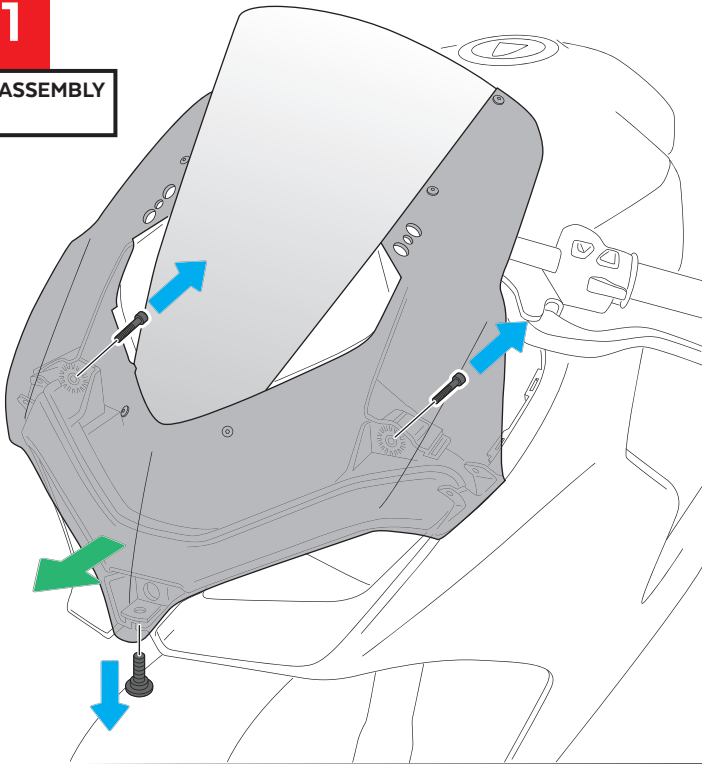


DUCATI PANIGALE V2 '20- / V4 '18-'19 / V4 25 ANNIVERSARIO 916 '20-
/ V4 S '18-'19 / V4 CORSE '19-'20 / V4 SPECIALE '18-'19

MOUNTING INSTRUCTIONS

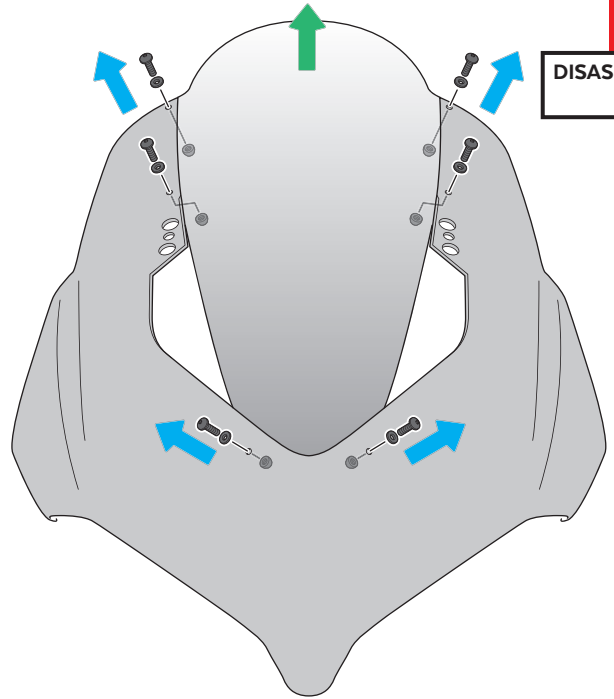
11

DISASSEMBLY



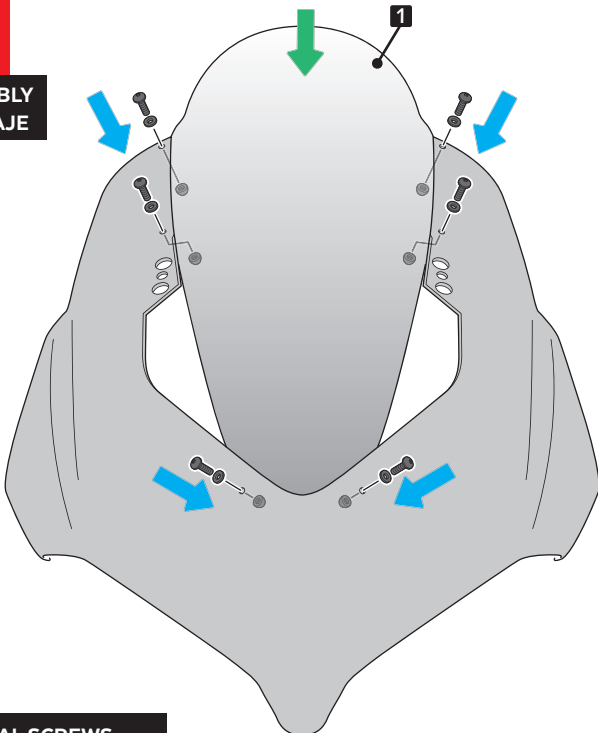
12

DISASSEMBLY



13

ASSEMBLY
MONTAJE



ORIGINAL SCREWS

IN ORDER TO FINISH THE ASSEMBLY OF THE FAIRING,
PLACE THE SCREWS BACK ON ACCORDING TO DRAWINGS 11
TO 1.