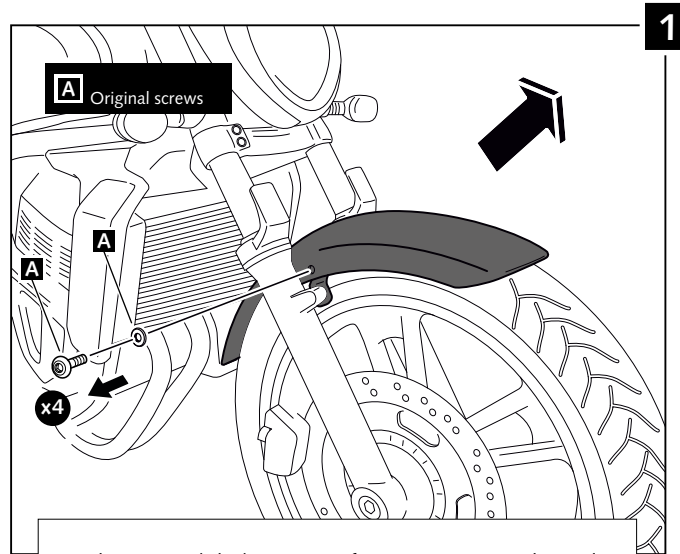


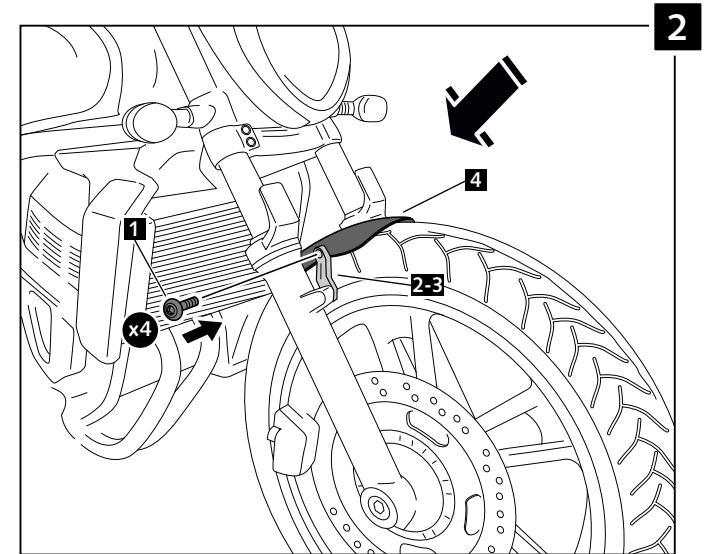
MOUNTING INSTRUCTIONS

FRONT FENDER TO
KAWASAKI VULCAN S/CAFE

Ref.: 9673N



·Um den OEM Abdeckung zu entfernen, müssen Sie das Rad demontieren.



It would be convenient to re-tight the front fender screws, specially the ones that are fixed to the motorcycle, whenever you maintain the vehicle.

Thanks for your attention.

ID.	DESCRIPTION	QTY.
1	M6x16 ISO 7380 Screw	4
2	Right front fender support	2
3	Left front fender support	2
4	Front fender	1