

HONDA REBEL 500 '17

REF 9671N

LICENSE SUPORT FOR



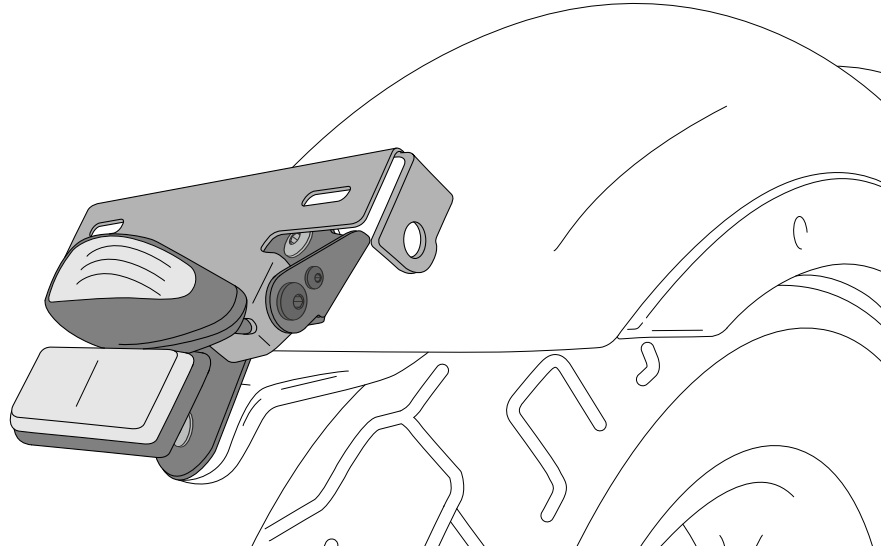
1 Person



1 hour



INTERMEDIATE



FIX



Nº 8
Nº 10

ALLEN



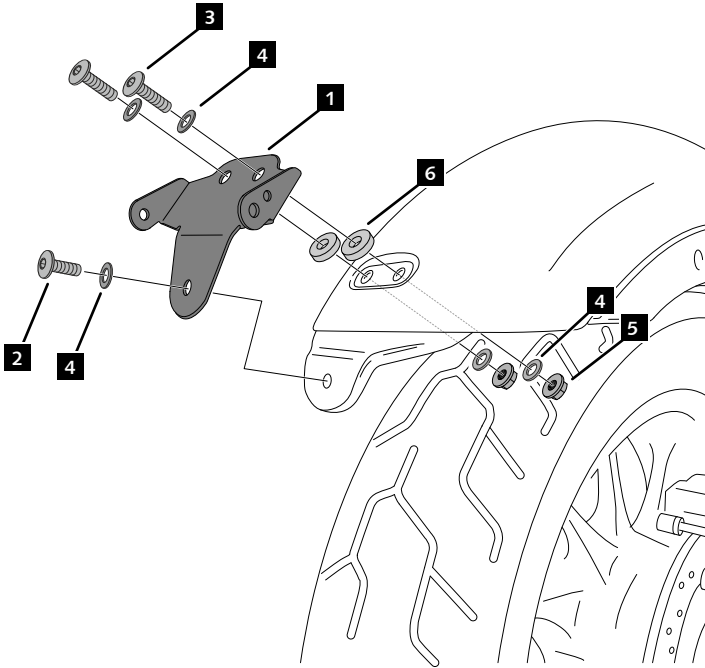
Nº 3
Nº 4

ID.	PART	DESCRIPTION	QTY.	REF.:
1		License support	1	CONJUNTO--9671N
2		M6x15 DIN1001 screw (black)	1	TORNI-I7380-403
3		M6x25 DIN1001 screw (black)	2	TORNI-I7380-405
4		M6 DIN9021 washer (black)	5	ARANDPD9021-037
5		M6 DIN6923 nut (black)	2	TUERCAEM6G-0213
6		Ø14x6mm metallic spacer	2	CASQUI-----208
7		Plastic bridle	5	BRIDAN100X2'5-N
8		Back light	1	4818N
9		Reflector	1	4481R
10		M5 screw cap	1	TAPON-----85
11		M6 screw cap	7	TAPON-----86

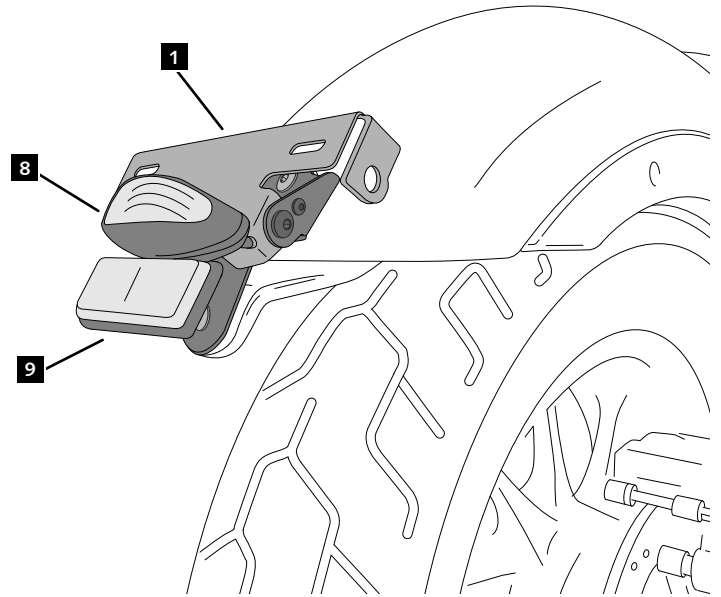
HONDA REBEL 500 '17

MOUNTING INSTRUCTIONS

1



2



Fixation license support rotation (2 OPTIONS A-B)

