

RETRO WINDSCREEN FOR UNIVERSAL



Ref.: 9554

(black colour)



Ref.: 9516

(carbon look)



ALLEN

Nº 2,5
Nº 3



Nº 13



1 persona
1 person



25 min

Fácil - Easy

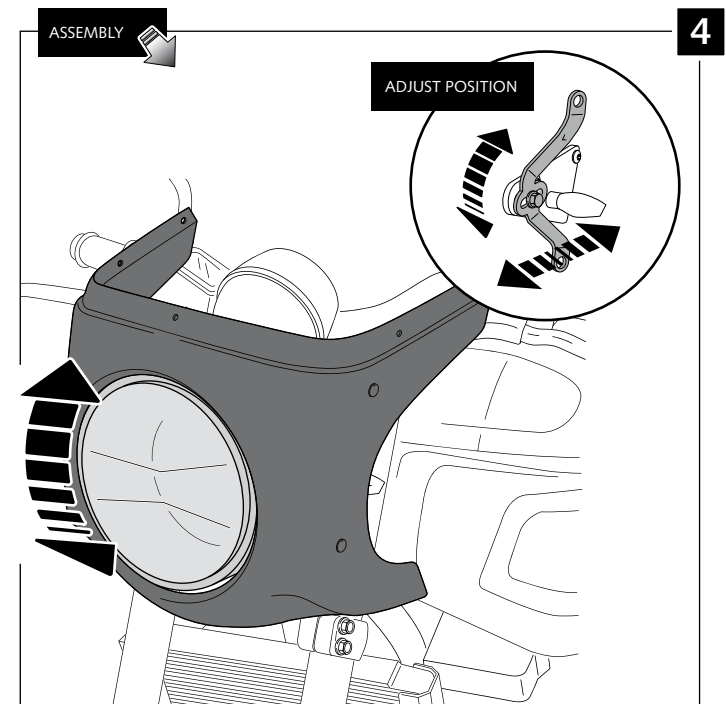
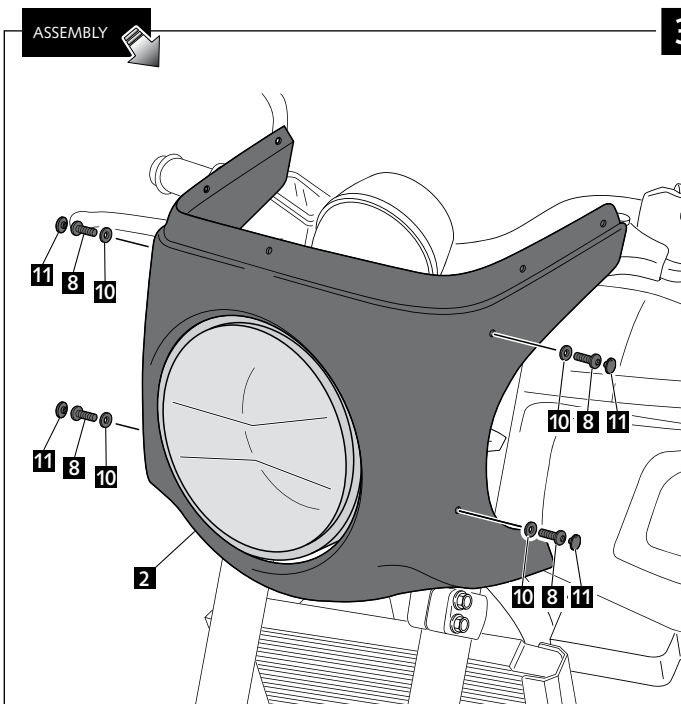
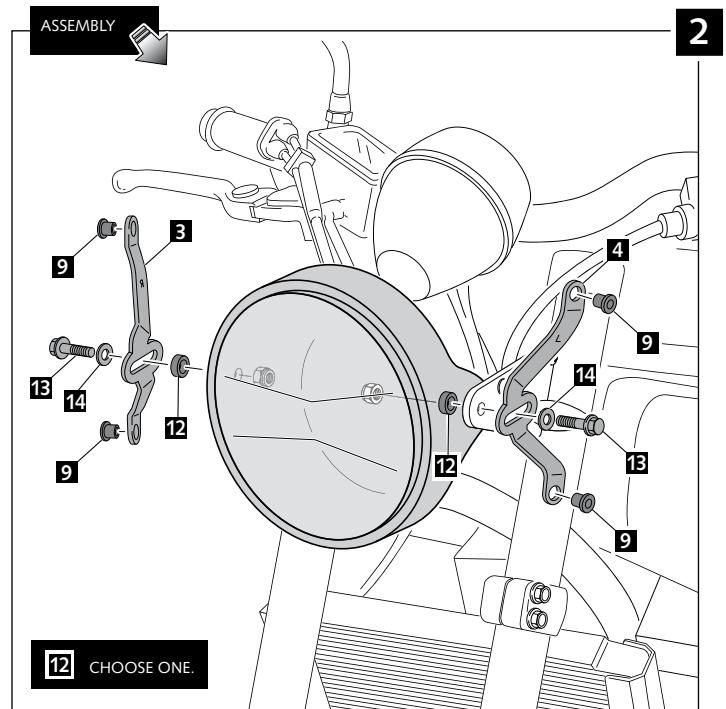
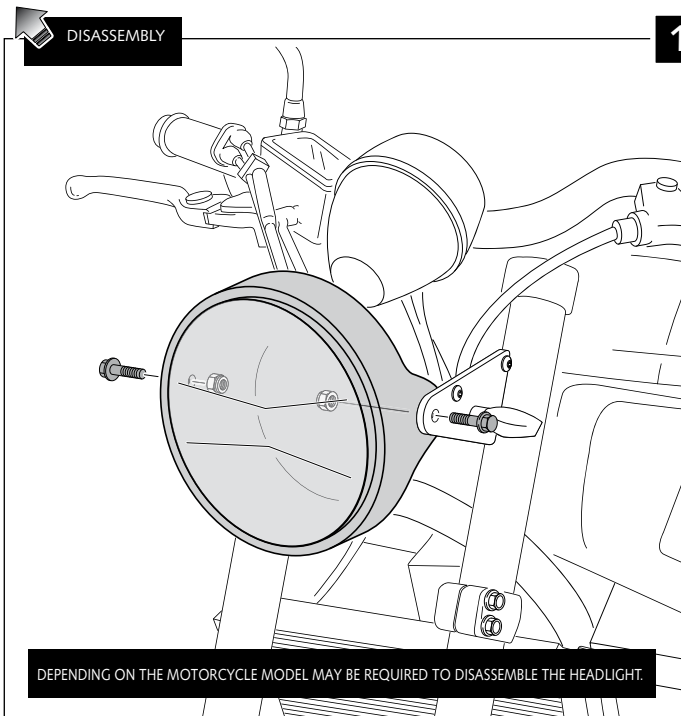
Media-Intermediate

Difficil-Difficult

ID	PART	DESCRIPTION	QTY	REF.
1		Screen	1	9872F/H/N/WM3
2		ABS fairing	1	9231C/JM3
3		Right metal support (R)	1	SOPOR-2P-3-9554
4		Left metal support (L)	1	SOPOR-2P-3-9554
5		M4x16 ISO 7380 Allen screw	5	TORNIAI7380-310
6		Silentblock M4	5	SILENBTM4__062
7		M4x0,5 Nylon washer	5	ARNV00000000311
8		M5x16 Ø11 ISO 7380 Allen screw	4	TORNI-I7380-493
9		Silentblock M5	4	SILENBTM5-046/1
10		M5x1 Nylon washer	4	ARNV00000000245
11		M5 ISO 7380 Allen screw cap	4	TAPON-----85
12		Ø8,5 x Ø13x3,5 arrowhead	2	CASQUI-----775
		Ø8,5 x Ø13x6 arrowhead	2	CASQUI-----776
		Ø8,5 x Ø13x9 arrowhead	2	CASQUI-----777
13		DIN 933 M8x45 exagonal screw	2	TORNIE845Z-0012
14		M8 DIN 125 metallic washer	2	ARANDPD125A-018
15		Stikers set	1	ADHESI-----253

RETRO WINDSCREEN FOR UNIVERSAL

MOUNTING INSTRUCTIONS



RETRO WINDSCREEN FOR UNIVERSAL

MOUNTING INSTRUCTIONS

