

<Ø180 - RETRO WINDSCREEN FOR <Ø180 HEADLIGHT -

## UNIVERSAL



**Ref.: 9554**  
(black colour)

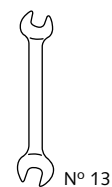


**Ref.: 9516**  
(carbon look)



ALLEN

Nº 2,5  
Nº 3



1 person



25 min

Easy

Intermediate

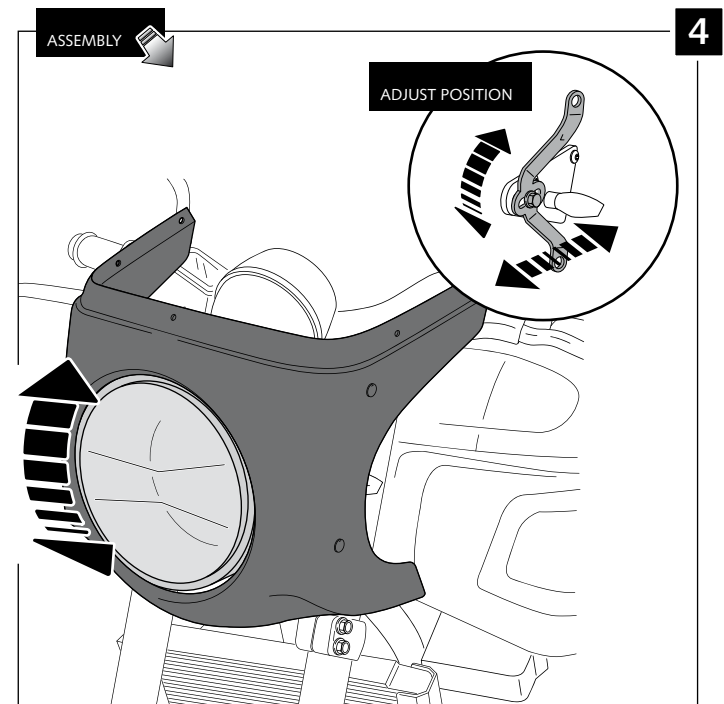
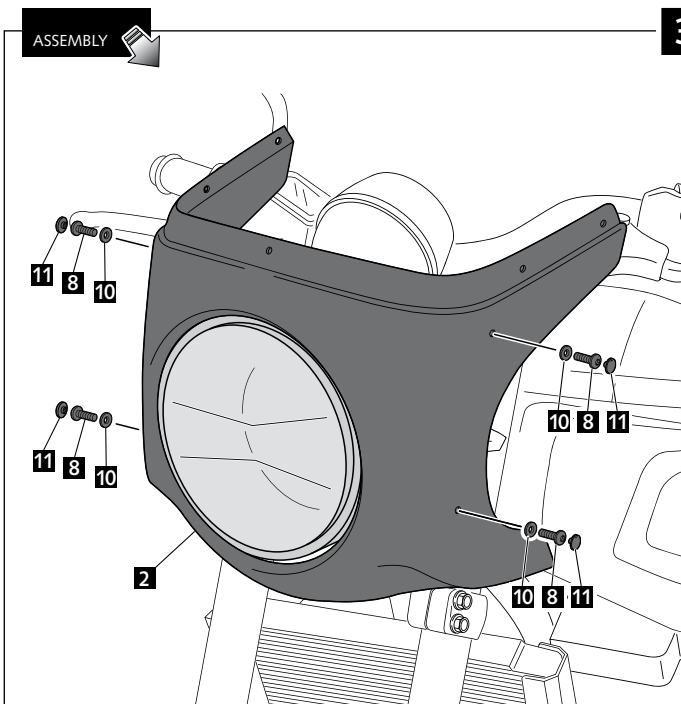
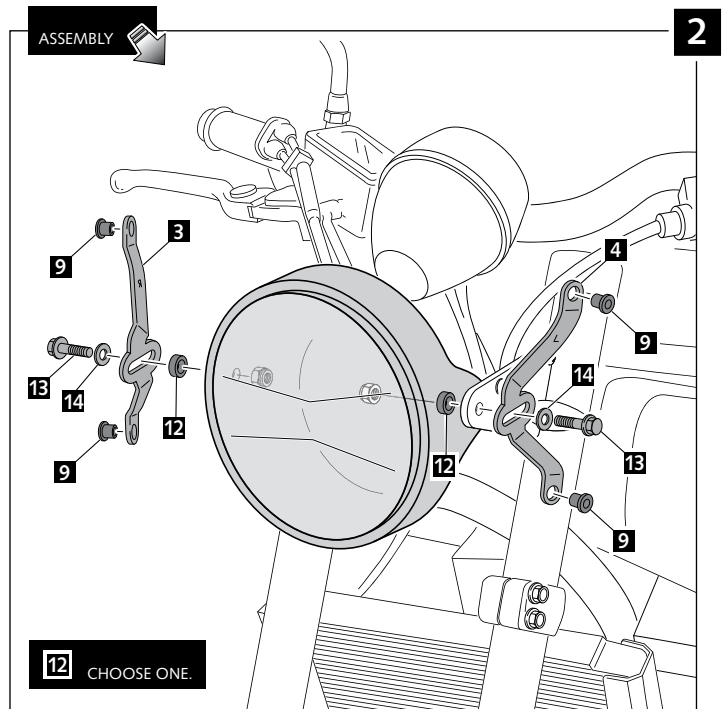
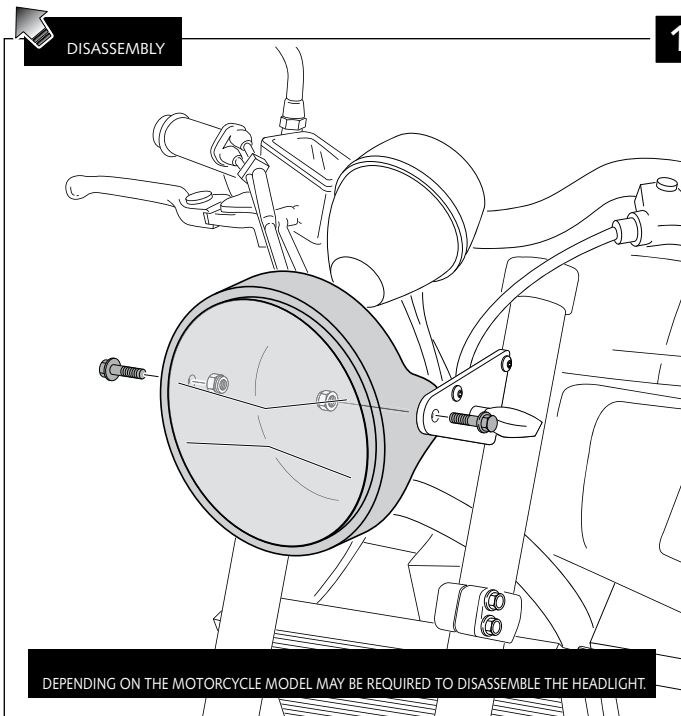
Difficult

ID	PART	DESCRIPTION	QTY	REF.
1		Screen	1	9872F/H/N/WM3
2		ABS fairing	1	9231C/JM3
3		Right metal support ( R )	1	SOPOR-2P-3-9554
4		Left metal support ( L )	1	SOPOR-2P-3-9554
5		M4x16 ISO 7380 Allen screw	5	TORNIAI7380-310
6		Silentblock M4	5	SILENBTM4__062
7		M4x0,5 Nylon washer	5	ARNV0000000311
8		M5x16 Ø11 ISO 7380 Allen screw	4	TORNI-I7380-493
9		Silentblock M5	4	SILENBTM5-046/1
10		M5x1 Nylon washer	4	ARNV0000000245
11		M5 ISO 7380 Allen screw cap	4	TAPON-----85
12		Ø8,5 x Ø13x3,5 arrowhead	2	CASQUI-----775
		Ø8,5 x Ø13x6 arrowhead	2	CASQUI-----776
		Ø8,5 x Ø13x9 arrowhead	2	CASQUI-----777
13		DIN 933 M8x45 exagonal screw	2	TORNIE845Z-0012
14		M8 DIN 125 metallic washer	2	ARANDPD125A-018
15		Stikers set	1	ADHESI-----253

<Ø180 - RETRO WINDSCREEN FOR <Ø180 HEADLIGHT -

## UNIVERSAL

- MOUNTING INSTRUCTIONS -



# UNIVERSAL

## - MOUNTING INSTRUCTIONS -

